



# INSTALLATION MANUAL

Steam humidifier  
Nortec **RS**

# Thank you for choosing Condair

Installation date (MM/DD/YYYY):

Commissioning date (MM/DD/YYYY):

Site:

Model:

Serial number:

## Contact

Condair Ltd.  
2740 Fenton Road, Ottawa, Ontario K1T3T7  
TEL: 1.866.667.8321, FAX: 613.822.7964  
EMAIL: [na.info@condair.com](mailto:na.info@condair.com), WEBSITE: [www.condair.com](http://www.condair.com)

## Proprietary Notice

This document and the information disclosed herein are proprietary data of Condair Ltd. Neither this document, nor the information contained herein shall be reproduced, used, or disclosed to others without the written authorization of Condair Ltd., except to the extent required for installation or maintenance of recipient's equipment.

## Liability Notice

Condair Ltd. does not accept any liability due to incorrect installation or operation of the equipment or due to the use of parts/components/equipment that are not authorized by Condair Ltd.

## Copyright Notice

© Condair Ltd. All rights reserved.

Technical modifications reserved

# Contents

<b>1</b>	<b>Introduction</b>	<b>5</b>
1.1	Before You Begin	5
1.2	Notes on the Installation Manual	5
<b>2</b>	<b>For Your Safety</b>	<b>7</b>
<b>3</b>	<b>Product Overview</b>	<b>9</b>
3.1	Models Overview	9
3.1.1	Units Small ("S") and Medium ("M")	9
3.1.2	Units Large ("L")	10
3.2	Identification of the Unit	11
3.3	Product Designation	12
3.4	Options	13
3.5	Accessories	14
<b>4</b>	<b>Receiving and Storage</b>	<b>15</b>
4.1	Inspection	15
4.2	Storage and Transportation	15
<b>5</b>	<b>Mounting and Installation Work</b>	<b>16</b>
5.1	Safety Notes on Mounting and Installation Work	16
5.2	Installation Overviews	17
5.3	Mounting the Unit	19
5.3.1	Notes on Locating the Unit	19
5.3.2	Mounting the Humidifier	21
5.3.2.1	Standard Mounting	21
5.3.2.2	Wall Support Mounting (option)	24
5.3.3	Inspecting the Installed Unit	26
5.4	Steam Installation	27
5.4.1	Overview Steam Installation for Duct Humidification	27
5.4.2	Installing the Steam Distributors	27
5.4.3	Overview Steam Installation for Room Humidification	28
5.4.4	Positioning and Mounting the Blower Packs	29
5.4.5	Installing the Steam and Condensate lines	30
5.4.6	Common Steam and Condensate Line Errors	35
5.5	Inspecting the Steam Installation	36
5.6	Water Installation	37
5.6.1	Overviews Water Installation	37
5.6.2	Overviews Water Installation (with RS-RO option installed)	38
5.6.3	Notes on Water Installation	40
5.6.3.1	Water Supply (Potable, RO or DI water)	40
5.6.3.2	Additional Requirements for RS-RO Option Water Supply	41
5.6.3.3	Water Drain	42
5.6.4	Inspecting the Water Installation	42
5.7	Notes on Humidity Control Systems/Humidity Control	44
5.7.1	Control Device Locations	44
5.7.2	Admissible Control Signals	44

5.8	Electrical Installation	45
5.8.1	Notes on Electrical Installation	45
5.8.2	Wiring Diagram Nortec RS - Small and Medium Units	46
5.8.3	Wiring Diagram Nortec RS - Large Units	47
5.8.4	Installation Work External Connections	48
5.8.5	Fuses "F3" Voltage Supply	53
5.8.6	Inspecting the Electrical Installation	54
<b>6</b>	<b>Appendix</b>	<b>55</b>
6.1	Unit Dimensions	55

# 1 Introduction

---

## 1.1 Before You Begin

Thank you for purchasing the **Nortec RS steam humidifier**.

The Nortec RS steam humidifier incorporates the latest technical advances and meets all recognized safety standards. Nevertheless, improper use of the Nortec RS steam humidifier may result in danger to the user or third parties and/or damage to property.

To ensure a safe, proper, and economical operation of the Nortec RS steam humidifier, please observe and comply with all information and safety instructions contained in the present documentation as well as in the separate documentations of the components installed in the humidification system.

If you have questions after reading this documentation, please contact your Condair representative. They will be glad to assist you.

## 1.2 Notes on the Installation Manual

### Limitation

**The subject of this installation manual is the Nortec RS steam humidifier in its different versions.** The various options and accessories are only described insofar as is necessary for proper operation of the equipment. Further information on options and accessories can be obtained in their respective instructions.

This installation manual is restricted to the **installation** of the Nortec RS steam humidifier and is meant for **well trained personnel being sufficiently qualified for their respective work**.

This installation manual is supplemented by various separate items of documentation (operation manual, spare parts list, etc.), which are included in the delivery as well. Where necessary, appropriate cross-references are made to these publications in the installation manual.

## Symbols used in this manual



### CAUTION!

The catchword "CAUTION" used in conjunction with the caution symbol in the circle designates notes in this installation manual that, if neglected, may cause **damage and/or malfunction of the unit or damage to property**.



### WARNING!

The catchword "WARNING" used in conjunction with the general caution symbol designates safety and danger notes in this installation manual that, if neglected, may cause **injury to persons**.



### DANGER!

The catchword "DANGER" used in conjunction with the general caution symbol designates safety and danger notes in this installation manual that, if neglected, may lead to **severe injury or even death of persons**.

## Safekeeping

Please safeguard this installation manual in a safe place, where it can be immediately accessed. If the equipment changes hands, the documentation must be passed on to the new operator.

If the documentation gets misplaced, please contact your Condair representative for replacement.

## 2 For Your Safety

---

### General

Every person, who is in charge of the installation work on the Nortec RS must have read and understood this installation manual and the Nortec RS operation manual before carrying out any work.

Knowing and understanding the contents of the installation manual and the operation manual is a basic requirement for protecting personnel against any kind of danger, to prevent faulty operation, and to operate the unit safely and correctly.

All icons, signs and markings applied to the Nortec RS must be observed and kept in readable state.

### Qualification of personnel

All installation work described in this installation manual **may only be carried out by specialists who are well trained and adequately qualified and are authorized by the customer.**

For safety and warranty reasons any action beyond the scope of this manual must be carried out only by qualified personnel authorized by Condair.

It is assumed that all persons working with the Nortec RS are familiar and comply with the appropriate regulations on work safety and the prevention of accidents.

### Intended use

The Nortec RS steam humidifier is intended exclusively for air humidification via a steam distributor or a blower pack approved by Condair within specified operating conditions (see Nortec RS operation manual). Any other type of application, without the written consent of Condair, is considered as not conforming with the intended purpose and may lead to hazardous operation of the Nortec RS and will void any warranty. Operation of the equipment in the intended manner requires **that all the information contained in this installation manual are observed (in particular the safety instructions).**

### Danger that may arise from the Nortec RS:



**DANGER!**  
**Danger of electric shock!**

**The Nortec RS is mains powered. Live parts may be exposed when the unit is open. Touching live parts may cause severe injury or danger to life.**

**Prevention:** The Nortec RS must be connected to the mains only after all mounting and installation work has been completed, all installations have been checked for correct workmanship and the unit is closed and properly locked.

---

### **Preventing unsafe operation**

All persons working with the Nortec RS are obliged to report any alterations to the unit, modifications, or unsafe issues that may affect safety to the owner without delay and to **secure the Nortec RS against accidental power-up**.

### **Prohibited modifications to the unit**

**No modifications must be undertaken** on the Nortec RS without the express written consent of Condair.

For the replacement of defective components use exclusively **original accessories and spare parts** available from your Condair representative.



# 3 Product Overview

## 3.1 Models Overview

Nortec RS steam humidifiers are available in **different housing sizes (S, M and L)** with **different heating voltages** and **steam capacities ranging from 10 lbs/hr up to a maximum of 180 lbs/hr (5 ... 80 kg/h)**.

### 3.1.1 Units Small ("S") and Medium ("M")

Housing size	Nortec RS	208 V/1~	240 V/1~	480 V/1~	600 V/1~	208 V/3~	240 V/3~	480 V/3~	600 V/3~
		lbs/hr (kg/h)	lbs/hr (kg/h)	lbs/hr (kg/h)	lbs/hr (kg/h)	lbs/hr (kg/h)	lbs/hr (kg/h)	lbs/hr (kg/h)	lbs/hr (kg/h)
S	10	10.9 (4.9)	10.9 (4.9)	9.7 (4.4)	11.4 (5.2)	10.9 (4.9)	10.9 (4.9)	11.3 (5.1)	11.1 (5.0)
	15	15.9 (7.2)	14.5 (6.6)	14.1 (6.4)	14.7 (6.7)	15.9 (7.2)	14.5 (6.6)	14.6 (6.6)	17.6 (8.0)
	20	21.2 (9.6)	21.2 (9.6)	18.8 (8.5)	19.6 (8.9)	21.2 (9.6)	21.2 (9.6)	19.4 (8.8)	22.8 (10.3)
M	30	31.8 (14.4)	31.8 (14.4)	31.5 (14.3)	31.4 (14.2)	28.8 (13.1)	31.8 (14.4)	31.5 (14.3)	31.4 (14.2)
	45	—	—	—	—	47.7 (21.6)	47.9 (21.7)	45.2 (20.5)	47.1 (21.4)
	65	—	—	—	—	71.6 (32.5)	71.9 (32.6)	63.0 (28.6)	70.6 (32.0)
	90	—	—	—	—	—	—	94.6 (42.9)	94.3 (42.8)

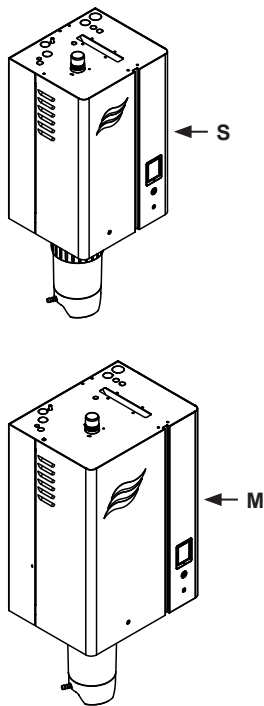


Fig. 1: Overview units small ("S") and medium ("M")

### 3.1.2 Units Large ("L")

Housing size	Nortec RS	208 V/1~	240 V/1~	480 V/1~	600 V/1~	208 V/3~	240 V/3~	480 V/3~	600 V/3~
		lbs/hr (kg/h)	lbs/hr (kg/h)	lbs/hr (kg/h)	lbs/hr (kg/h)	lbs/hr (kg/h)	lbs/hr (kg/h)	lbs/hr (kg/h)	lbs/hr (kg/h)
L	...90...	—	—	—	—	95.4 (43.3)	94.6 (42.9)	—	—
	...130...	—	—	—	—	143.2 (65.0)	141.8 (64.3)	126.0 (57.2)	141.2 (64.1)
	...180...	—	—	—	—	—	—	189.2 (85.8)	188.6 (85.5)

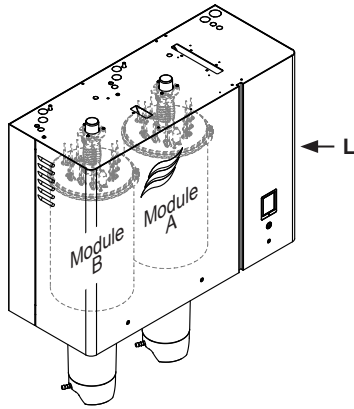


Fig. 2: Overview units large ("L")

### 3.2 Identification of the Unit

The identification of the unit is found on the specification label.

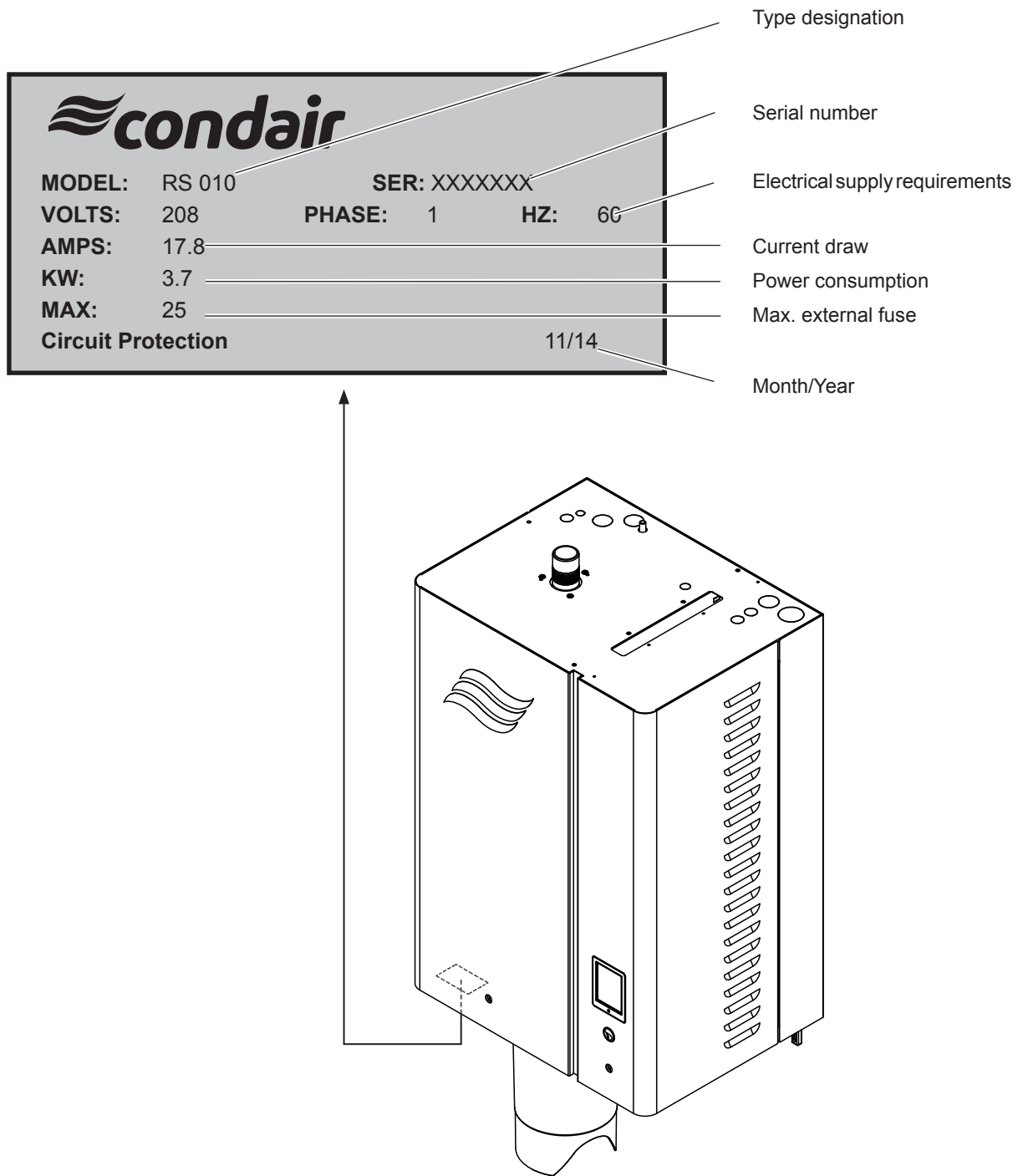


Fig. 3: Specification label location and details (right side and underside of unit)

### 3.3 Product Designation

The product designation and the most important unit data are found on the specification label fixed on the right side of the Nortec RS.

Notes regarding the specification label can be found in the Nortec RS operation manual.

#### Key model designation



### 3.4 Options

	Nortec RS									
	Single units "S"			Single units "M"				Large units "L"		
	10	15	20	30	45	65	90	90	130	180
<p><b>Precision</b></p> <p>Provides capability of humidifier to achieve <math>\pm 1\%</math> humidity control*. Solid State Relays allow for rapid response upon call for humidity, adapting rapidly to humidity demand. This allows for quick response and tight control of humidity. Also supplied are two fill valves for quicker response (turbo mode).</p> <p>* Humidity control is dependent on a variety of factors, including design of piping from humidifier to distributor, duct characteristics from distributor to space, control devices and location. In-field results may vary. Relative humidity levels in the supply duct will vary greater than in-space tolerance levels.</p>	1x P									
<p><b>Scale tank</b></p> <p>Provides a separate reservoir underneath the steam cylinder for scale collection. The addition of this option reduces maintenance time significantly. Minerals removed from the water during steam production will collect in the scale reservoir rather than in the tank. For the double tank humidifiers (RS 135 and 180), order two for each humidifier.</p>	1x SC						2x SC			
<p><b>Built-on Blower Pack</b></p> <p>For direct dispersion into a conditioned environment.</p>	1x BOBP						N/A			
<p><b>Remote operating and fault indication</b></p> <p>PCB with relay contacts for the connection of remote displays for "Operation", "Steam", "Fault" and "Service".</p>	1xRFI									
<p><b>Accessory Board</b></p> <p>PCB with relay contacts for the connection of remote fan enable (cylinder A/B) as well as hygiene flush (cylinder A/B).</p>	1x ACC									
<p><b>BACnet MSTP BTL</b></p> <p>PCB to provide BTL certified BACnet MSTP. This option also enables full Master functionality when using BACnet MSTP.</p>	1x BAC-BTL-MSTP									
<p><b>BACnet IP BTL</b></p> <p>PCB to provide BTL certified BACnet IP.</p>	1x BAC-BTL-IP									
<p><b>LonWorks board</b></p> <p>Supplementary board to connect the Nortec RS to a building management system via LonWorks.</p>	1x LON									
<p><b>Mounting bars</b></p> <p>Provides two mounting bars which fit into each other for wall mounting. One bar is fastened to the humidifier, the other bar is fastened to the wall. The unit can then be "hung" onto the wall by engaging the two mounting bars.</p> <p>Note: without this option, the unit may still be wall mounted using the keyhole cutouts on the back of humidifier housing.</p>	1x MP-S			1x MP-M				1x MP-L		

	Nortec RS										
	Single units "S"			Single units "M"				Large units "L"			
	10	15	20	30	45	65	90	90	130	180	
<b>Pressure compensation kit</b> Provides extension for the fill cup to overcome back pressure (including duct static pressure) in excess of 5-1/2" water column. Longer hoses included. Two required for double tank humidifiers.	1x OPS							2x OPS			
<b>RS-RO</b> Secondary inlet valve for dedicated drain water cooling using potable water. This option is used when treated RO/DI water is being supplied to the steam tank.	1xRS-RO										

### 3.5 Accessories

	Nortec RS										
	Single units "S"			Single units "M"				Large units "L"			
	10	15	20	30	45	65	90	90	130	180	
<b>Pure water system Condair RO-A</b> Pure water system for operating the Nortec RS with RO water.	1xRO-A40							1xRO-A100			

## 4 Receiving and Storage

### 4.1 Inspection

Upon receiving:

- Inspect shipping boxes for damage.  
Any damages of the shipping boxes must be reported to the shipping company without delay.
- Check packing slip to ensure all parts have been delivered.  
All material shortages are to be reported to your Condair supplier within 48 hours after receipt of the goods. Condair Ltd. assumes no responsibility for any material shortages beyond this period.  
The standard delivery includes the Nortec RS steam humidifier with the options ordered (see [Section 3.4](#)) packed in cardboard boxes along with the installation manual (this document), operation manual and spare parts list.
- Unpack the parts/components and check for any damage.  
If parts/components are damaged, notify the shipping company immediately.
- Check whether the components are suitable for installation on your site according to model key shown on the specification label.

### 4.2 Storage and Transportation

#### Storing

Until installation store the Nortec RS in its original packaging in a protected area meeting the following requirements:

- Room temperature: 41 ... 104 °F (5 ... 40 °C)
- Room humidity: 10 ... 75 %rh

#### Transportation

For optimum protection always transport the unit and components in their original packaging and use appropriate lifting/transporting devices.



#### **WARNING!**

It is the customer's responsibility to ensure that operators are trained in handling heavy goods and that the operators comply with the appropriate regulations on work safety and the prevention of accidents.

#### Packaging

Keep the original packaging of the components for later use.

In case you wish to dispose of the packaging, observe the local regulations on waste disposal. Please recycle packaging where possible.

# 5 Mounting and Installation Work

## 5.1 Safety Notes on Mounting and Installation Work

### Qualification of personnel

All mounting and installation work must be carried out only by **well qualified personnel authorized by the owner**. It is the owner's responsibility to verify proper qualification of the personnel.

### General notes

Strictly observe and comply with all information given in the present installation manual regarding the mounting of the unit and the installation of water, steam and electricity.

Observe and comply with all local regulations dealing with water, steam and electrical installations.

### Safety

Some installation work requires removal of the unit covers. Please note the following:



**DANGER!**  
Danger of electric shock!

**The Nortec RS is mains powered. Live parts may be exposed when the unit is open. Touching live parts may cause severe injury or danger to life.**

**Prevention:** The Nortec RS must be connected to the mains only after all mounting and installation work has been completed, all installations have been checked for correct workmanship and the unit is closed and properly locked.



**CAUTION!**

**The electronic components inside the humidifier are very sensitive to electrostatic discharge.**

**Prevention:** To protect these components against damage caused by electrostatic discharge (ESD protection) appropriate measures must be taken when the unit is open for installation work. A wrist strap should be worn to connect the maintenance specialist with a common ground point. For more information, refer to ANSI/ESD-S20.20.



## 5.2 Installation Overviews

### Typical installation for duct humidification

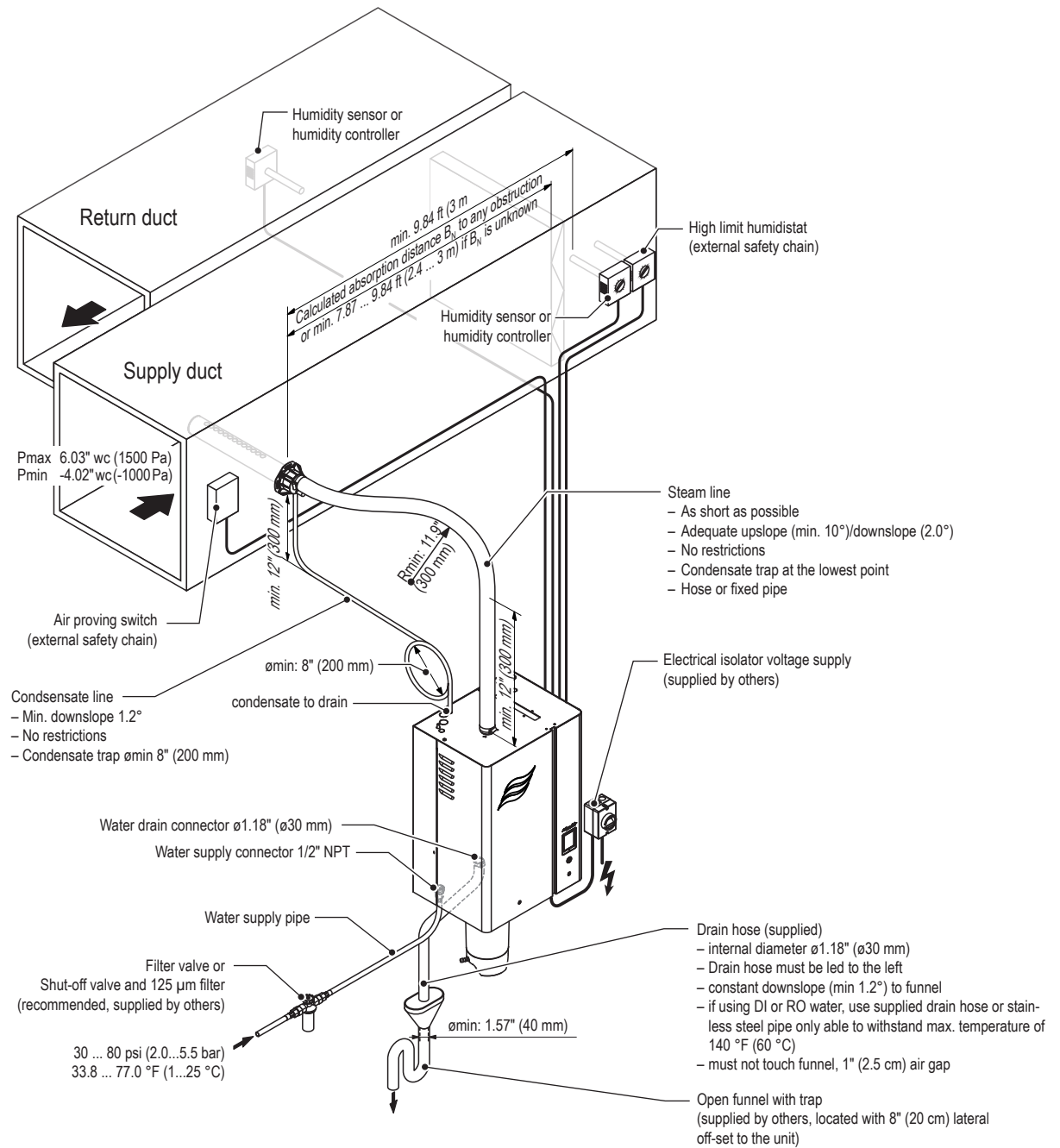


Fig. 4: Typical installation for duct humidification

Note: For water supply connection of units equipped with RS-RO option, refer to [Fig. 6](#).

## Typical installation for room humidification

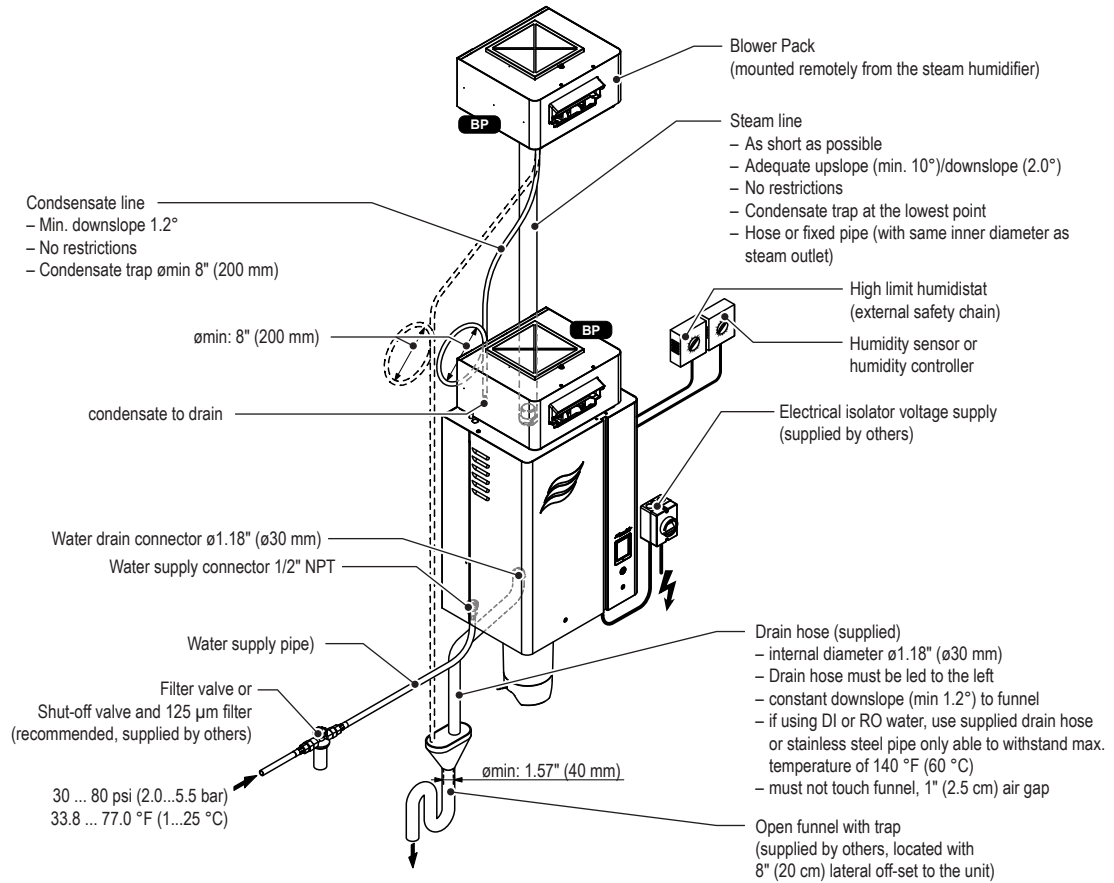


Fig. 5: Typical installation for room humidification

Note: For water supply connection of units equipped with RS-RO option, refer to [Fig. 6](#).

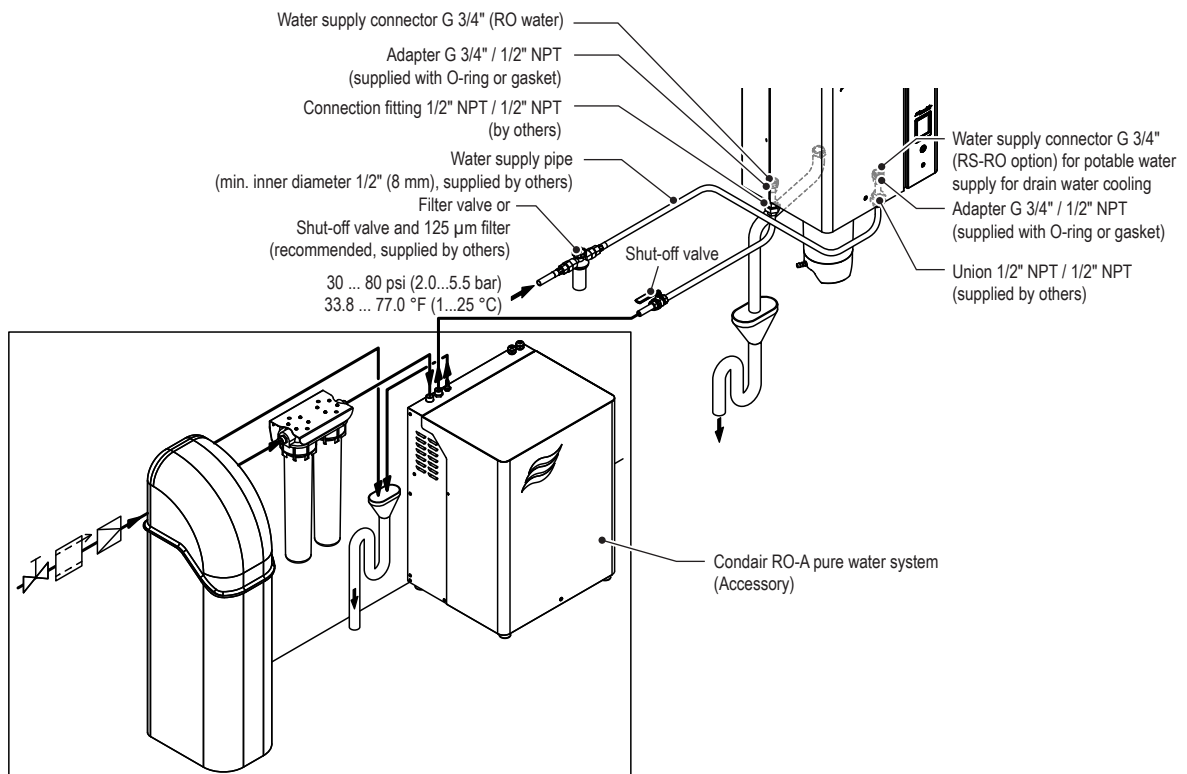


Fig. 6: Water supply connections for units installed with RS-RO option

## 5.3 Mounting the Unit

### 5.3.1 Notes on Locating the Unit

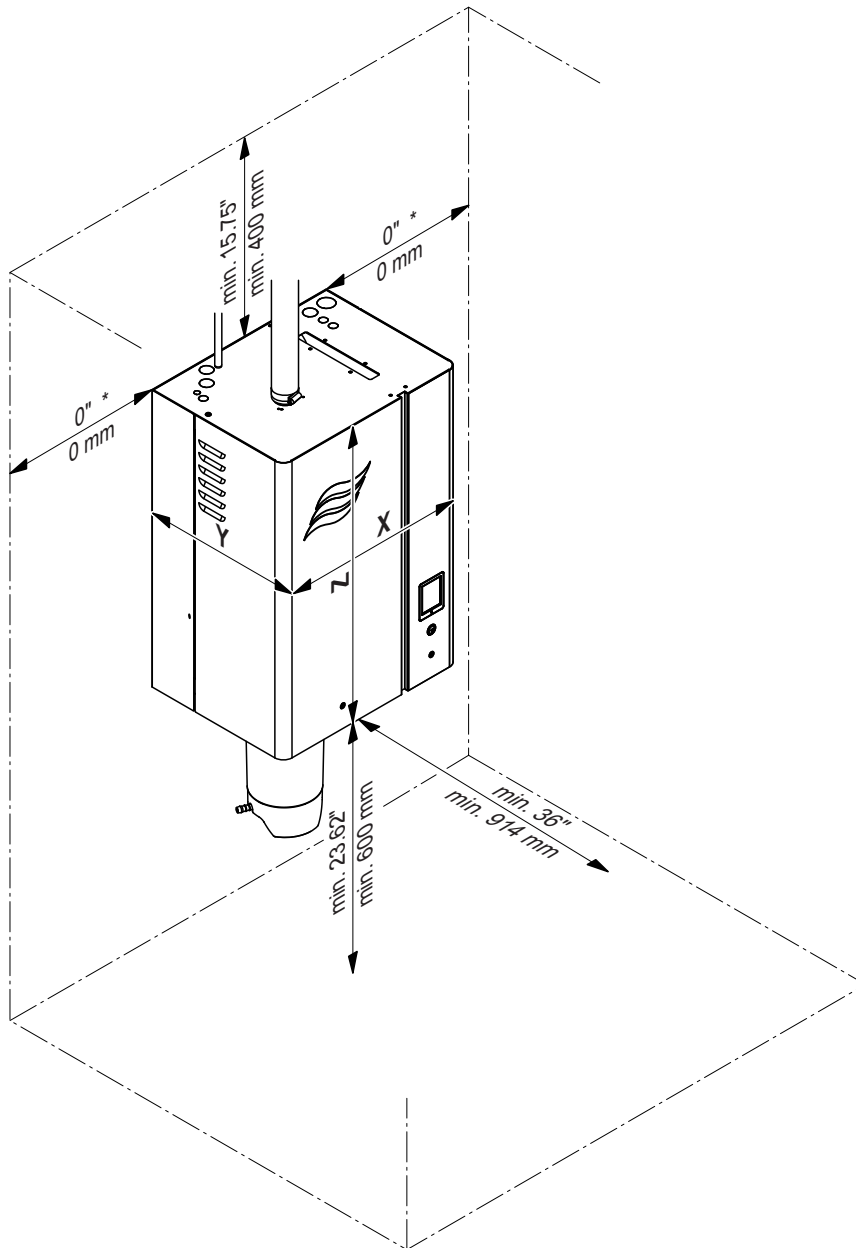


Fig. 7: Minimal distances to be observed

Housing		Small ("S") RS 10...20	Medium ("M") RS 30...90	Large ("L") RS 90...180
Housing dimensions in inch (mm)	X	16.5" (420)	20.9" (530)	29.4" (1000)
	Y	14.6" (370)	16.0" (406)	16.0" (406)
	Z	26.4" (670)	30.7" (780)	30.7" (780)
Net weight in lbs (kg)		60 (27.2)	89 (40.3)	179 (81.0)
Operating weight in lbs (kg)		89 (40.2)	145 (65.8)	291 (132.0)

The installation site of the Nortec RS depends largely on the location of the steam distributor/blower pack (see [Section 5.4.3](#) and [Section 5.4.4](#)). To **ensure proper functioning** of the steam humidifier and to **obtain an optimal efficiency**, the following points must be considered and observed when choosing the location for the steam humidifier:

- Install the steam humidifier so that:
  - the **length of the steam** line is kept as short as possible,
  - the **minimum bend radius for steam hoses (R= 12" / 300 mm)** and for **solid steam pipes (5 x internal diameter)**
  - the minimum **upslope 10°** and **downslope 2°** of the steam hose is maintained.
- For details of mounting the Nortec RS, refer to [Section 5.3.2](#).



#### CAUTION!

Do **not** mount the steam humidifier directly to the ventilation duct.

- The back panel of the Nortec RS retains heat during operation (max. surface temperature of the metal housing approx. 140 - 158 °F / 60 - 70 °C). Make sure, therefore, that the construction (wall, pillar, etc.) to which the unit is to be mounted, does not consist of heat-sensitive material.
- Install the Nortec RS in such a manner that it is **freely accessible** with sufficient space available for maintenance purposes. The **minimum distances** shown in the adjacent illustration **must be maintained**.
- The Nortec RS is protected according to **IP21**. As a safeguard, the humidifier should be installed in a drip-proof location. Admissible ambient conditions must be complied with.
- Do **not** mount the Nortec RS to hot or very cold walls or near vibrating components.
- The steam humidifier Nortec RS must only be installed in rooms with a floor drain.



#### CAUTION!

If for some reason the Nortec RS must be installed in a location without floor drain, it is mandatory to provide a leakage monitoring device to safely interrupt the water supply in case of leakage.

- When mounting the Nortec RS use **only the mounting materials supplied with the unit**. If mounting with the materials supplied is not possible in your particular case, select a method of mounting that is of similar stability.
- The Nortec RS is designed for installation and operation within buildings (admissible temperature range 41... 104 °F / 5...40 °C). For outdoor operation the Nortec RS must be placed in a weather protective housing. If ambient temperatures near or below the freezing point have to be expected, the protective housing must be equipped with a thermostat controlled heating of sufficient capacity. The water supply pipe must be equipped with heat-tracing and must be insulated up to the protective housing. For outdoor operation, the Keep Warm function must be enabled. The installation of a normally open valve inside the building envelope that will drain water in case of power failure is highly recommended.

## 5.3.2 Mounting the Humidifier

### 5.3.2.1 Standard Mounting

Mark the mounting hole locations "A" and "B" on 2×4 wooden studs (or equivalent) in the mounting surface, as shown, and mount the Nortec RS unit using 1/4 × 2 inch lag bolts and washers.

#### Overview standard mounting single units Small and Medium

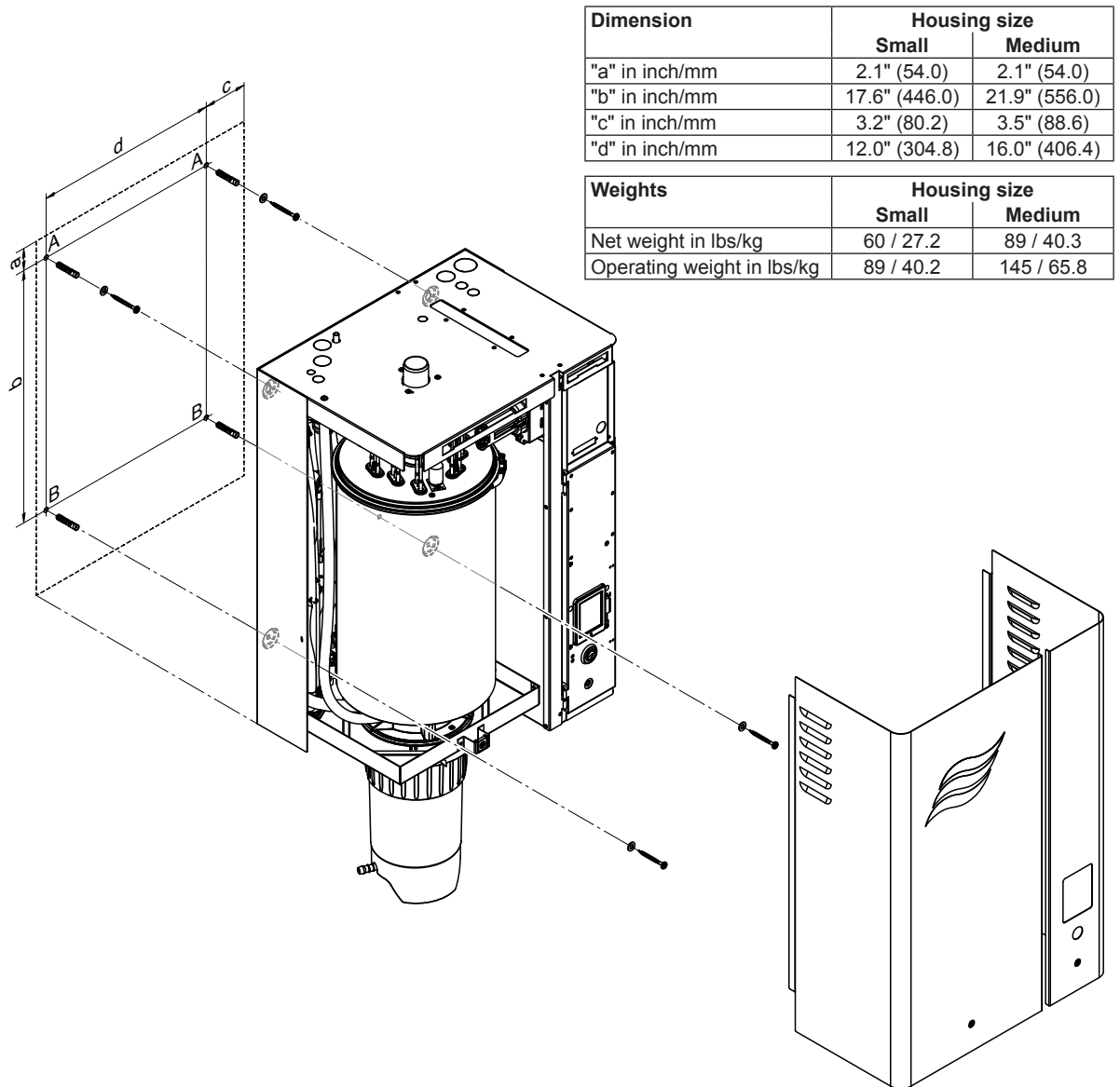


Fig. 8: Overview standard mounting single units Small and Medium

## Overview standard mounting single units Large

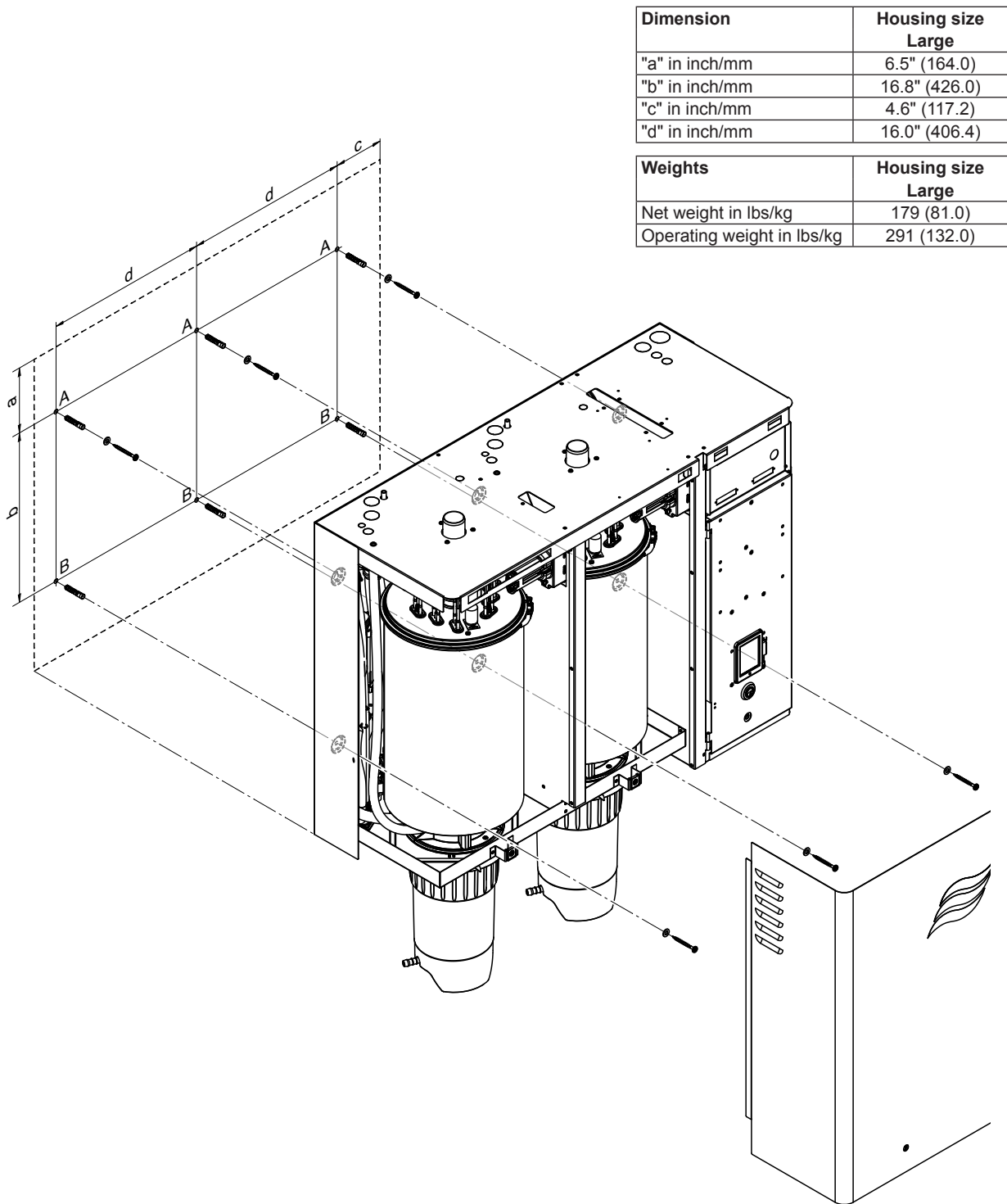


Fig. 9: Overview standard mounting single units Large

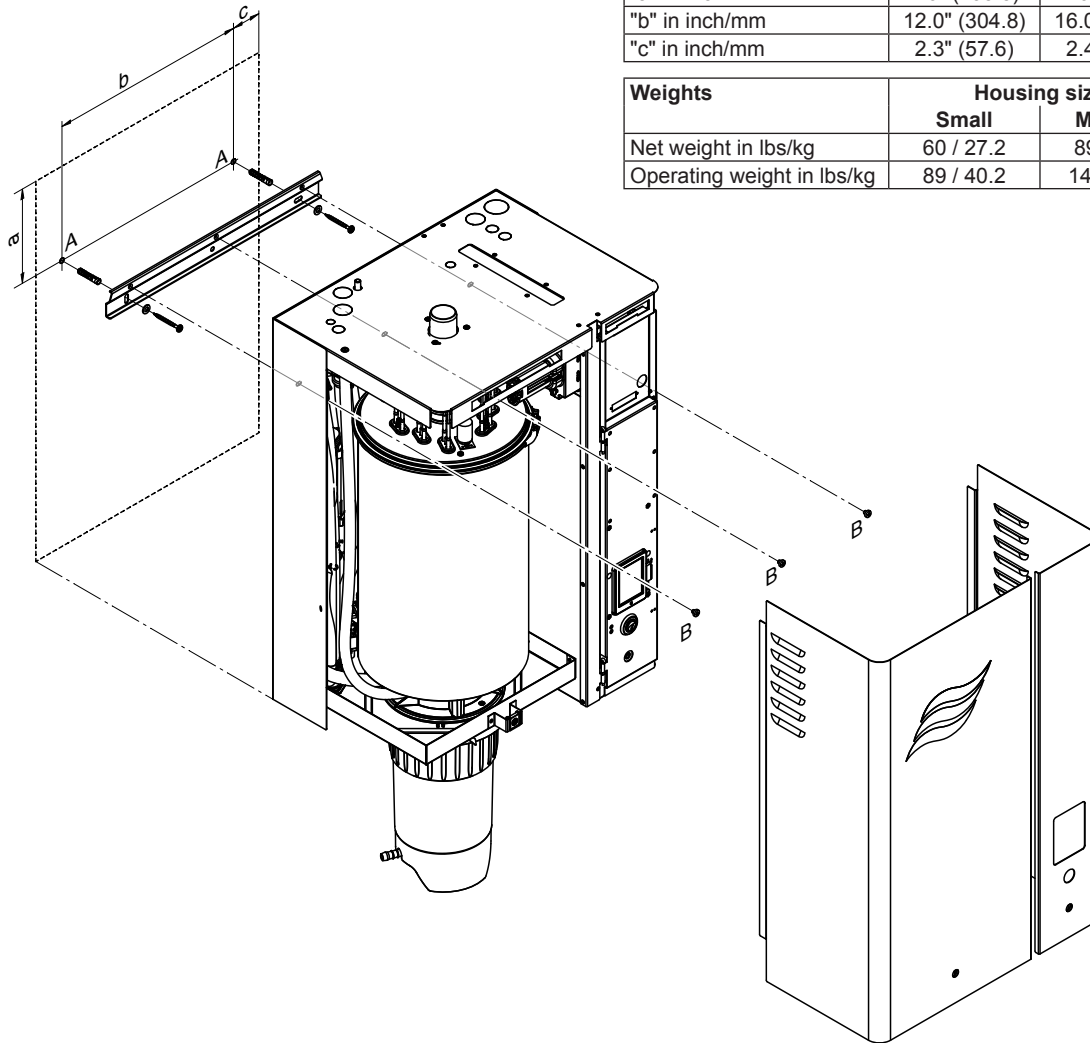
### **Mounting procedure standard mounting**

1. Mark the attachment points "A" and "B" at the desired position in the mounting surface with the help of a level.
2. Install 1/4 × 2 in lag bolts and washers at attachment points "A". Allow the heads of the bolts to extend 1/4 in (5 mm) from the mounting surface so that the humidifier can be hung on the bolts.
3. Unlock the screws on the front panels of the unit, and remove the front panels.
4. Carefully raise the unit and hang it on the installed lag bolts.
5. Install additional 1/4 × 2 in lag bolts and washers through the rear panel of the humidifier into the mounting surface at attachment points "B".
6. Align the unit with the help of a level, then tighten the lag bolts.
7. Install the front panels and fasten them securely.

### 5.3.2.2 Wall Support Mounting (option)

Mark the mounting hole locations "A" on 2×4 wooden studs (or equivalent) in the mounting surface, as shown, and mount the wall support for the Nortec RS unit using 1/4 × 2 in lag bolts and washers.

#### Overview wall support mounting single units Small and Medium



Dimension	Housing size	
	Small	Medium
"a" in inch/mm	7.6" (193.5)	7.6" (193.5)
"b" in inch/mm	12.0" (304.8)	16.0" (406.4)
"c" in inch/mm	2.3" (57.6)	2.4" (61.8)

Weights	Housing size	
	Small	Medium
Net weight in lbs/kg	60 / 27.2	89 / 40.3
Operating weight in lbs/kg	89 / 40.2	145 / 65.8

Fig. 10: Overview wall support single units Small and Medium



## Overview wall support mounting single units Large

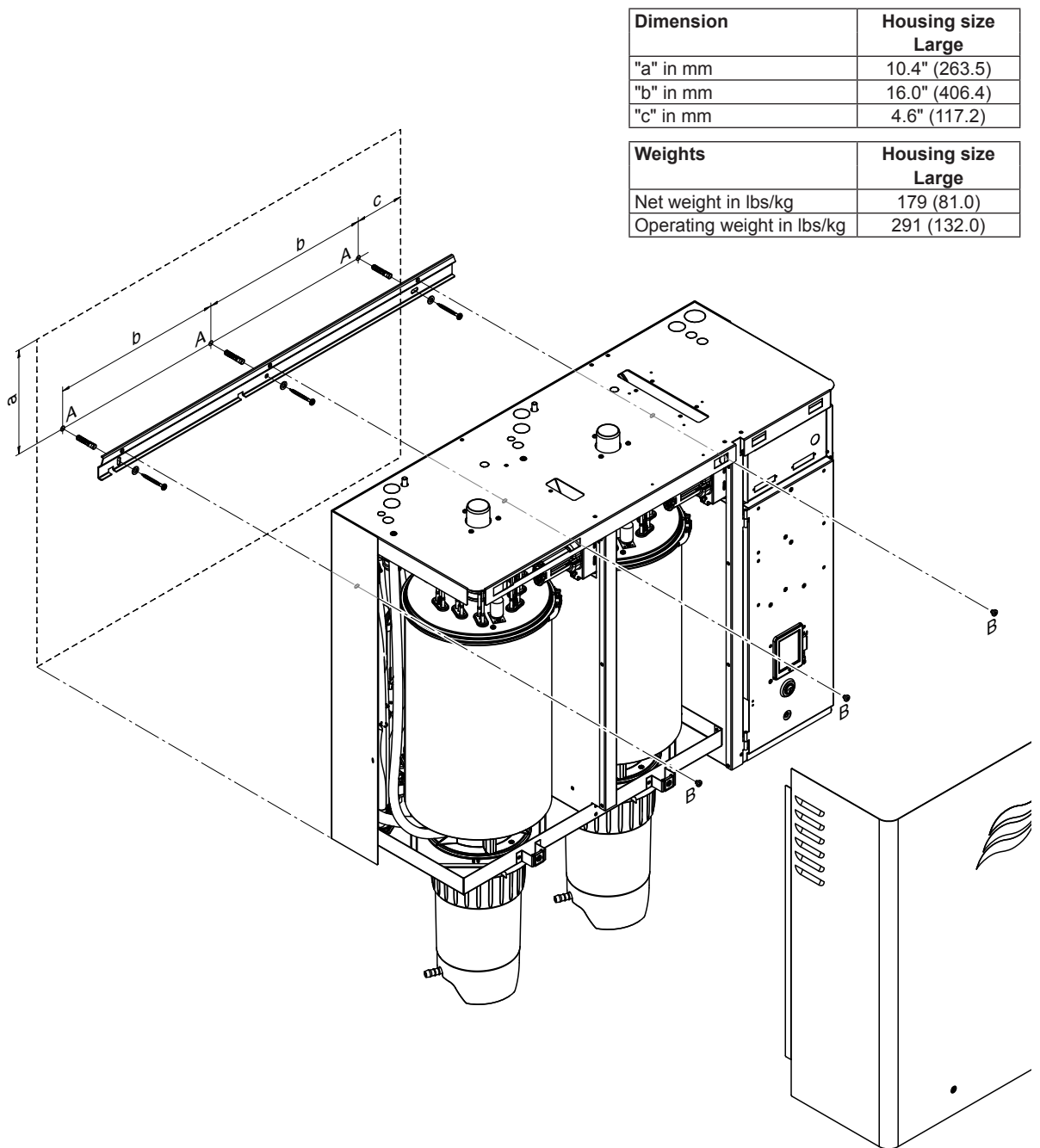


Fig. 11: Overview wall support mounting single units Large

### Procedure

1. Mark the attachment points "A" for the wall support at the desired position with the help of a level.
2. Attach the wall support to 2×4 wooden studs (or equivalent) in the mounting surface with 1/4 × 2 in lag bolts and washers. Adjust the wall support horizontally using a level, and tighten the bolts.
3. Unlock the screws on the front panels of the unit, and remove the front panels.
4. Carefully raise the unit and hang it on the wall support.
5. Secure the unit to the wall support with the supplied pop-rivets at points "B".
6. Install the front panels and fasten them securely.

### 5.3.3 Inspecting the Installed Unit

Check the following points:

- Is the unit installed in the correct place (see [Section 5.3.1](#))?
- Is the supporting surface stable enough?
- Is the unit correctly aligned, vertically and horizontally?
- Is the unit properly secured (see [Section 5.3.2](#))?

## 5.4 Steam Installation

### 5.4.1 Overview Steam Installation for Duct Humidification

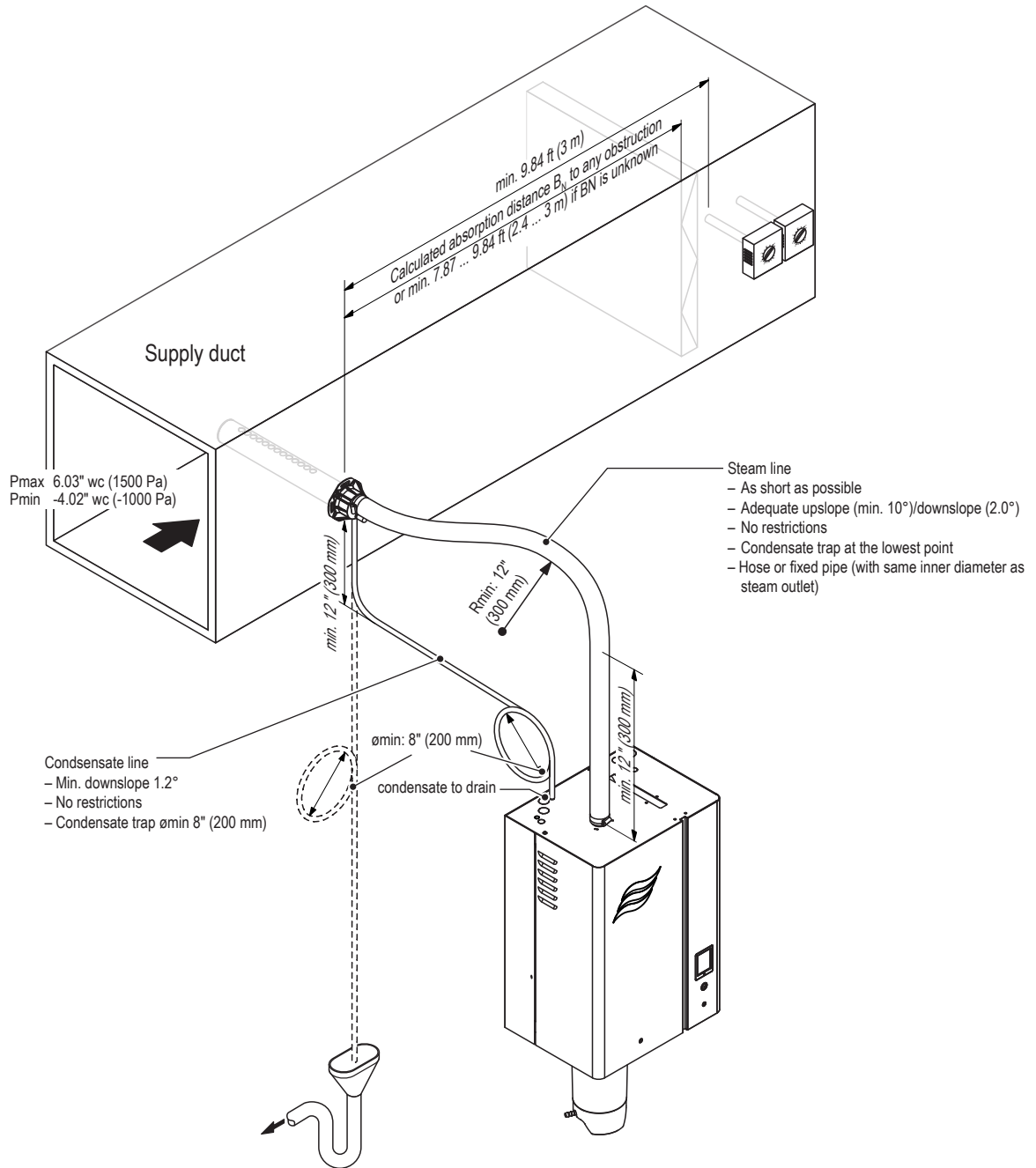


Fig. 12: Overview steam installation for duct humidification

### 5.4.2 Installing the Steam Distributors

Detailed information on the installation of steam distribution pipes and SAM-e steam distribution system can be found in the separate mounting instructions for these products.

### 5.4.3 Overview Steam Installation for Room Humidification

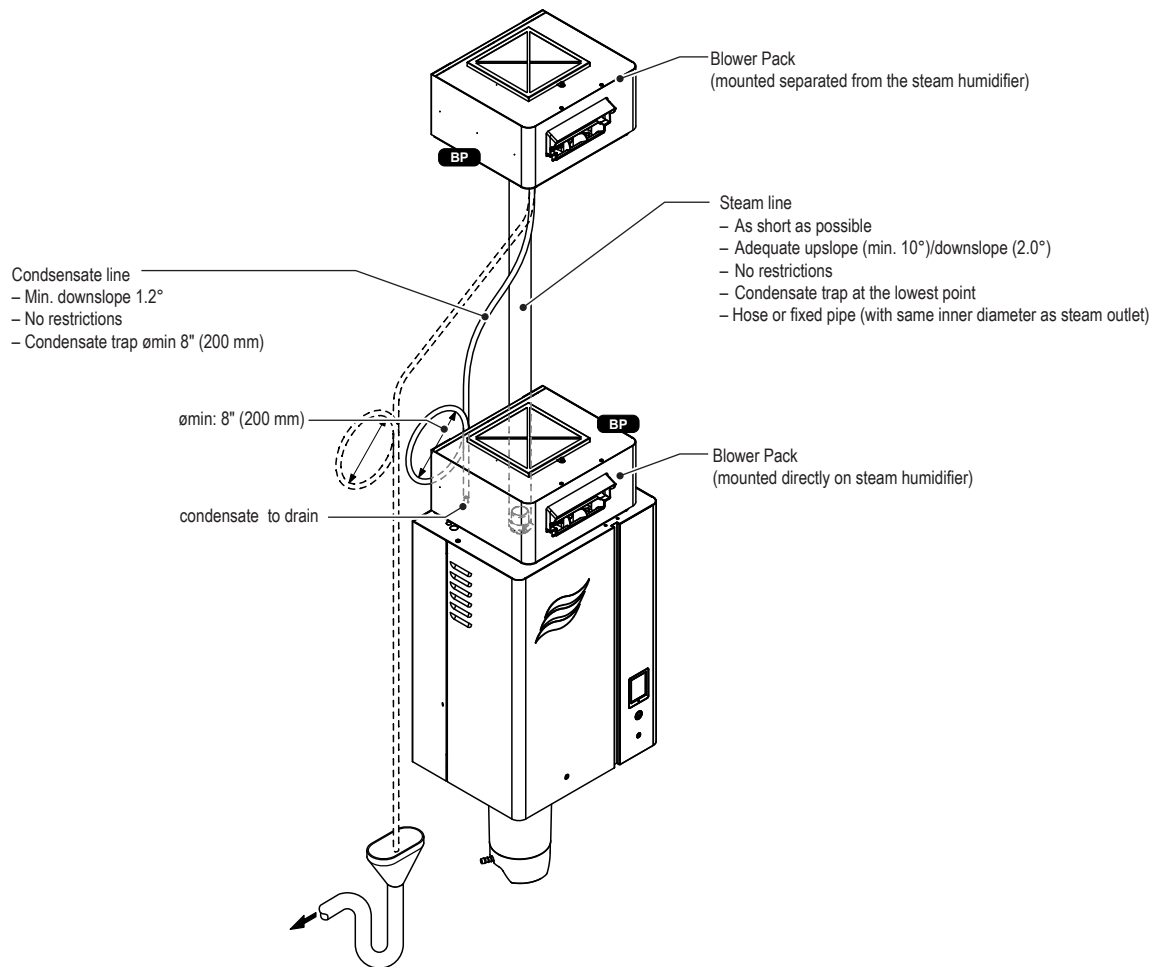
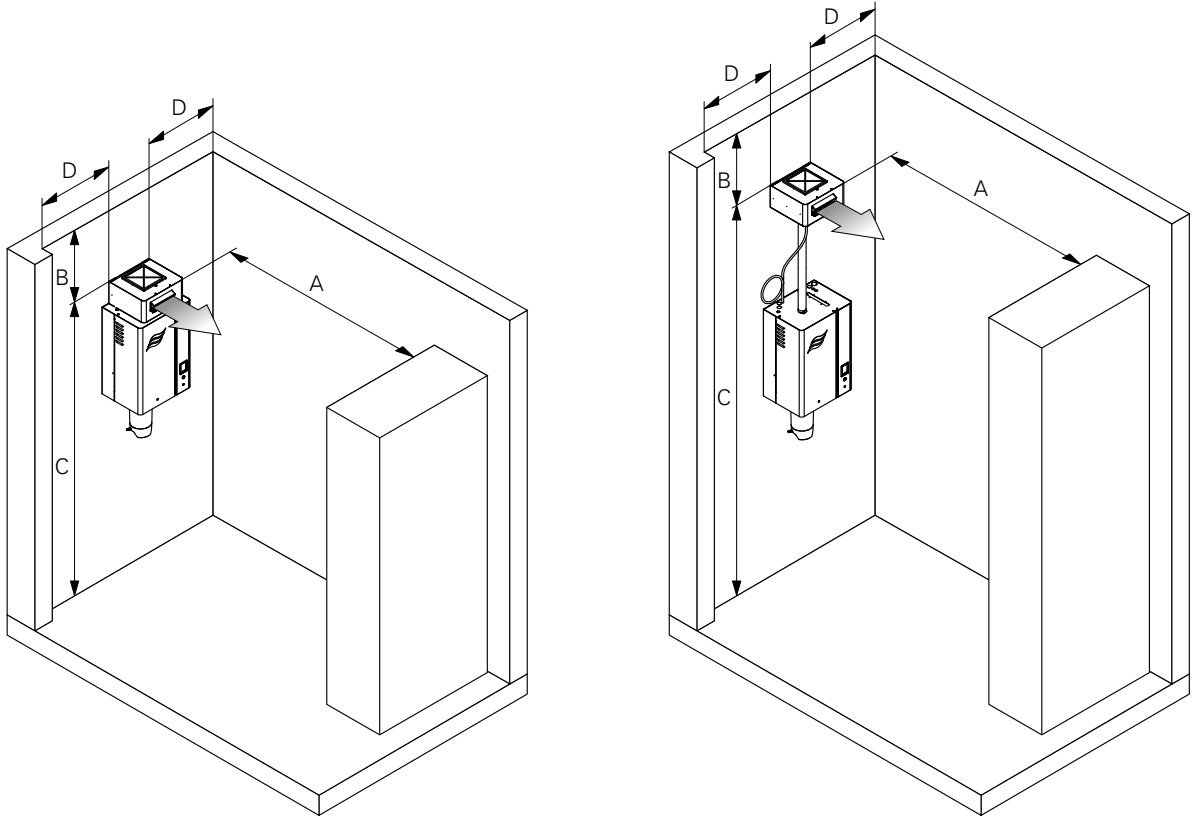


Fig. 13: Overview steam installation for room humidification

## 5.4.4 Positioning and Mounting the Blower Packs

The blower packs can either be mounted directly on the humidifier or separately above the humidifier to the wall. To allow the steam coming from the blower pack to spread out evenly, without condensing on obstacles (ceilings, joists, pillars, etc.), the following minimum dimensions must be observed when selecting the location for the blower pack.

Even small objects that encroach into the steam distribution area may create condensation and reduce efficiency.



**WARNING!**  
Risk of burn injuries!

The blower pack discharges hot steam and presents a burn hazard. Care must be taken when the humidifier is in operation and when in the vicinity of the blower pack.

Humidifier Model	Max. Capacity lb/hr (kg/h)	Fan Speed	Min. Clearance Required in inch (cm)			
			A	B	C	D
RS 010	up to 11.4 (5.2)	Low	18 (46)	12 (31)	96 (244)	12 (31)
		High	6 (16)	12 (31)	96 (244)	12 (31)
RS 015	up to 17.6 (8.0)	Low	75 (191)	12 (31)	96 (244)	12 (31)
		High	60 (153)	12 (31)	96 (244)	12 (31)
RS 020	up to 22.8 (10.3)	Low	75 (191)	12 (31)	96 (244)	12 (31)
		High	60 (153)	12 (31)	96 (244)	12 (31)
RS 030	up to 31.8 (14.4)	Low	86 (219)	12 (31)	96 (244)	12 (31)
		High	71 (181)	12 (31)	96 (244)	12 (31)
RS 045	up to 47.9 (21.7)	Low	174 (442)	12 (31)	96 (244)	12 (31)
		High	132 (336)	12 (31)	96 (244)	12 (31)

Humidifier Model	Max. Capacity lb/hr (kg/h)	Fan Speed	Min. Clearance Required in inch (cm)			
			A	B	C	D
RS 065	up to 71.9 (32.6)	Low	189 (481)	48 (122)	96 (244)	30 (77)
		High	153 (389)	12 (31)	96 (244)	30 (77)
RS 090	up to 95.4 (43.3)	Low	248 (630)	84 (214)	96 (244)	30 (77)
		High	218 (554)	12 (31)	96 (244)	30 (77)

Note: Sound measurement at low speed: 57.4 dB; high speed: 64.1 dB taken 3 ft (1 m) from the blower pack.

Note: The minimum spaces in the table apply for a room atmosphere of 72°F (21°C), and max 40% RH. For lower temperatures and/or higher humidity the clearance values will increase, and should be adjusted accordingly.

Note: In order to achieve a uniform distribution of the humidity within the room, additional factors such as the room size, the room height, etc., must be taken into consideration besides observing the minimum distances for the blower packs. If you have questions concerning the direct room humidification, please contact your Condaire representative.

Further information is provided in the separate installation and operating instructions for the corresponding blower pack.

## 5.4.5 Installing the Steam and Condensate lines

### Installations notes

- Use **original steam and condensate hose** from your Condaire representative or **solid steam pipes from copper (MED-L) or stainless steel (min. AISI 304) exclusively**. Steam and condensate lines of other material may cause undesired operational malfunctions. For installations with reverse osmosis or de-ionized water supply, do not use copper steam lines.
- Initially, lead the steam line **upright upwards min. 12" (300 mm) above the humidifier**. Then lead the steam line with a **minimum upslope of 10°** and/or a **minimum downslope of 2°** to the steam distributor.
- The condensate hose from the steam distributor is led down to the humidifier with a **minimum downslope of 1.2°**, via a condensate trap (**min. hose bend diameter Ø8" (Ø200 mm)**) and there it is to be connected to the appropriate connector on top of the unit.  
**Important!** Before putting the unit into operation, the condensate trap of the condensate hose must be filled with water.
- The steam line should be kept as short as possible, as per [Table 1 on page 31](#). Ensure the the minimum bend radii are observed: 12" (300 mm) for steam hoses or 5x internal diameter for solid pipes.  
**Important!** Allowance must be made for a **pressure loss** from elbows, according to equivalent length tables.
- **Important!** When deciding on the length and layout of steam hoses, it should be noted that steam hoses may become shorter and/or longer depending on temperature and age.
- The steam hose must be secured to the steam distributor and humidifier steam outlet by means of **hose clamps**. Solid steam pipes should be connected to the steam distributor and steam humidifier with short lengths of steam hose secured with hose clamps.  
**Caution!** Do not overtighten the hose clamp on the steam connector of the steam humidifier.
- Steam lines made of solid pipes (copper or stainless steel) must be insulated over the entire length to minimize condensate formation. Condensate created due to thermal loss in steam lines will reduce the operational efficiency of the humidification system and reduce the moisture supply to the conditioned environment.

**DANGER!**

**Reducing the cross section or the complete closure of the steam line will cause an excessive increase in pressure in the steam cylinder when the unit is operating and could lead to the risk of scalding accidents. All installations must comply with the following instructions.**

- When installing, make sure the steam line is open over the entire length and through the whole cross section. Any sealing plugs, adhesive sealing sheets etc. must be removed before connecting the steam pipe. Reductions in cross section by kinking or crushing must be avoided.
- Steam hoses must be prevented from sagging (condensate pockets); if necessary, support steam hose with pipe clamps, trough, or wall brackets, and install a condensate drain at any low points in the steam line.
- It is **not permitted to install a stop valve** (e.g. a manually controlled isolation valve, solenoid valve, etc.) in the steam line, due to an inadmissible increase of pressure in the steam cylinder if the valve is closed during the operation.

*Table 1: Recommended Steam Line Material\*, Maximum Length, Losses*

Humidifier Model	Maximum Steam Line Length**		MED-L Copper Tube	Stainless Steel Tube	Possible Steam Losses (based on 1" insulated copper pipe)	
	ft	m			lb/hr per ft	kg/hr per m
RS 010	24	7.3	(1 line) 1.5" ID MED-L Tubing (1.625" OD)	(1 line) 1.75" OD SS Tubing (0.065" thick)	0.11	0.16
RS 015	25	7.6				
RS 020	27	8.2				
RS 030	30	9.1				
RS 045	35	10.7				
RS 065	45	13.7				
RS 090 (M)	50	15.2	(2 lines) 1.5" ID MED-L Tubing (1.625" OD)	(2 lines) 1.75" OD SS Tubing (0.065" thick)	0.15	0.22
RS 090 (L)***	35	10.7				
RS 130***	45	13.7				
RS 180***	50	15.2				
<b>Nortec Steam Hose</b>						
All Models	10	3	P/N 1328820		0.15	0.22

**Notes:**

- \* The use of steam line other than copper, stainless steel tube, or Nortec supplied steam line will void the warranty and may adversely affect the operation of the humidifier.
- \*\* Long steam runs affect accuracy of humidifier and its ability to quickly respond to changes in demand. When tight control is required, ensure steam line run is as short as possible.
- \*\*\* Steam line per boiling tank. Do not combine steam lines except at distributor using a Nortec adapter designed for that purpose and only if humidifiers operate in parallel.

## Installation examples

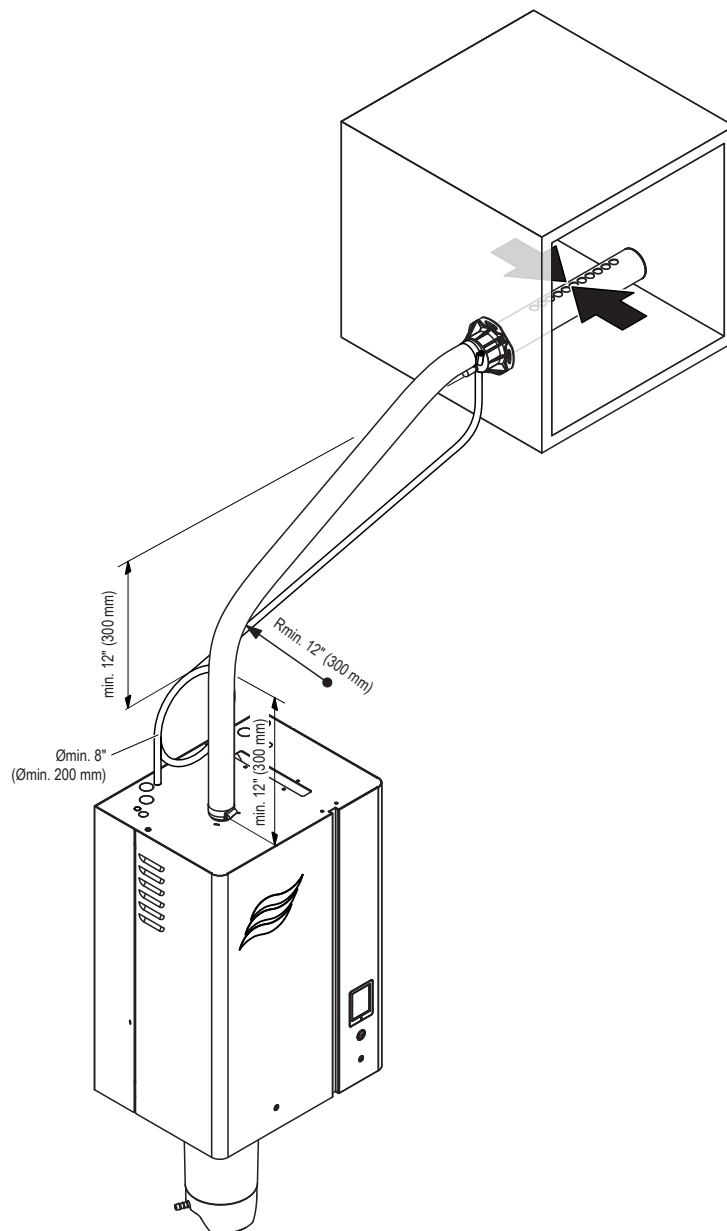


Fig. 14: Steam distributor mounted more than 20" (500 mm) above the top edge of the humidifier



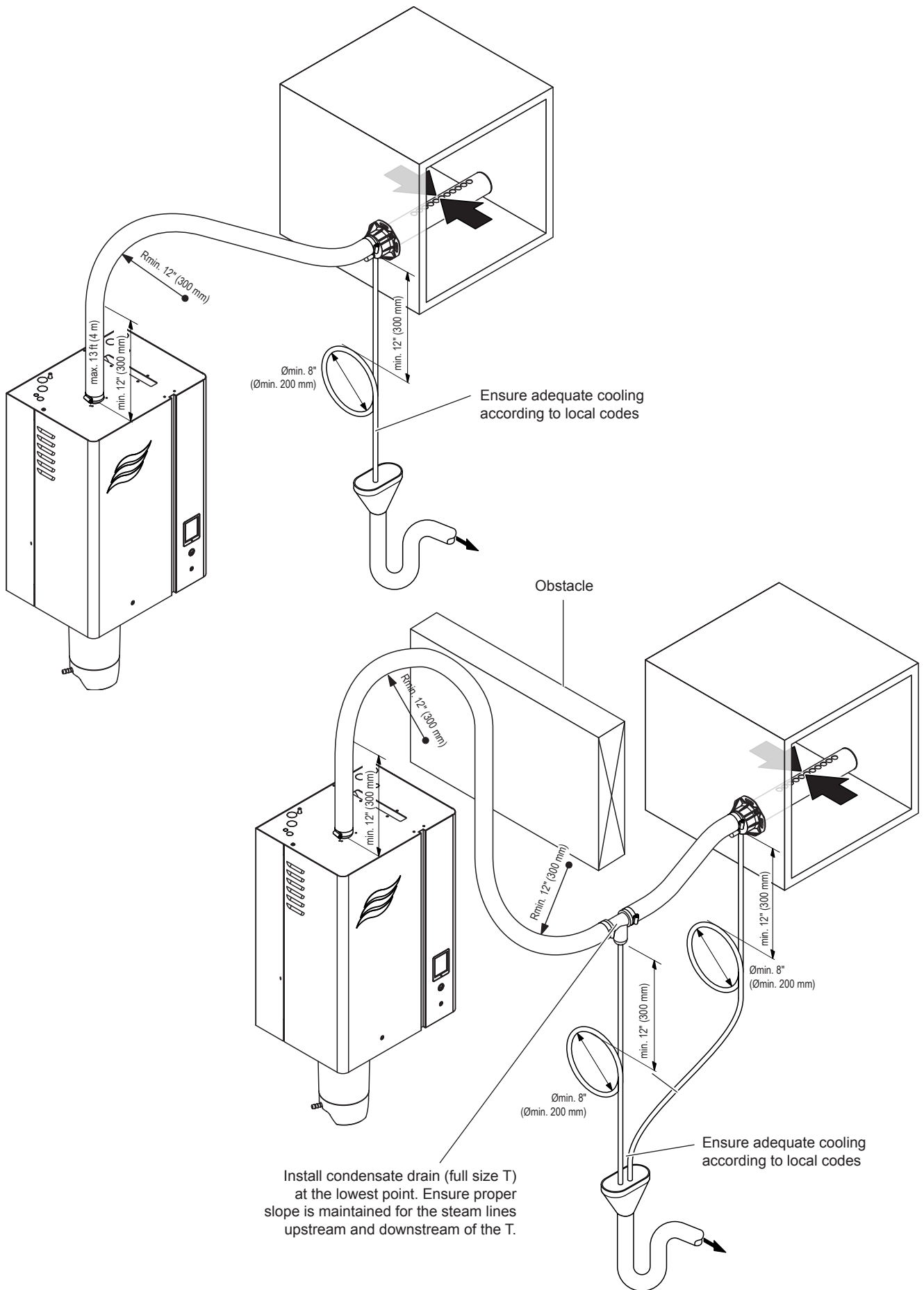


Fig. 15: Steam distributor mounted less than 20" (500 mm) above the top edge of the humidifier

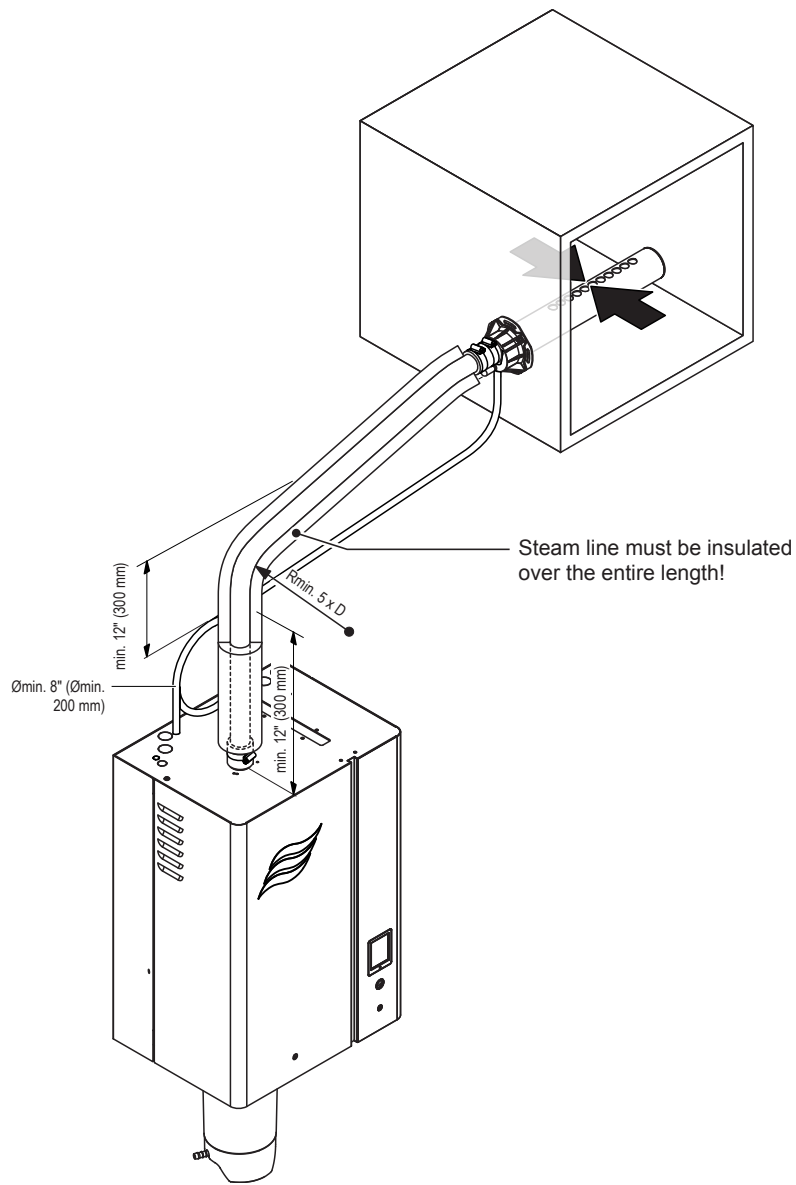
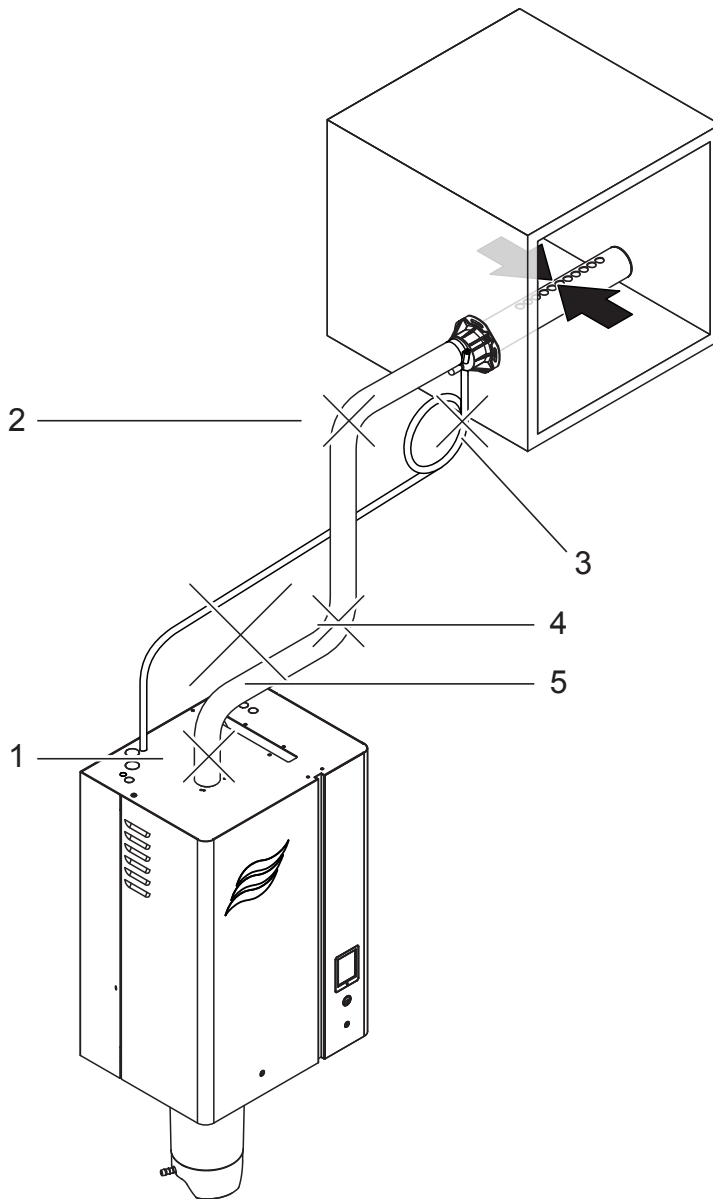


Fig. 16: Steam line with solid piping and insulation

### 5.4.6 Common Steam and Condensate Line Errors



	Wrong	Correct
1	Steam line not led at least 12" (300 mm) perpendicularly upwards before first bend (forming of condensate).	Lead steam line at least 12" (300 mm) perpendicularly upwards before first bend.
2	Minimum bend radius of steam hose/solid steam line not maintained (forming of condensate).	The minimum bend radius of 12" (300 mm) for steam hoses or 5 times steam line internal diameter for solid steam lines must be maintained.
3	Condensate trap not sufficiently high and installed too near at the steam distributor.	The condensate trap must be at least 12" (300 mm) below the connector on the steam distributor and it must have a minimum height of 8" (200 mm) in form of a hose loop $\varnothing 8"$ ( $\varnothing 200$ mm).
4	No condensate trap installed at vertical transition.	Install condensate trap at all low points and before vertical transitions.
5	Steam line and condensate hose not sloped.	Install steam line always with constant upslope of min. $10^\circ$ or downslope of min. $2.0^\circ$ and condensate hose with constant downslope of min. $1.2^\circ$ .

Fig. 1: Common steam and condensate line errors

## 5.5 Inspecting the Steam Installation

Use the following check list to ensure that the steam installation was performed correctly:

- Steam distributor
  - Steam distributors (steam distribution pipe or SAM-e steam distribution system) correctly positioned and secured (screws tightened)?
  - Are the outlet orifices at right angles to the air flow for horizontal installation, or at 45 degree angle for vertical installation?
- Steam hose
  - Steam hose material: copper (potable water only), stainless steel or Nortec plastic hose?
  - Maximum length, as per table shown in [Section 5.4.5?](#)
  - Minimum bend radius of 12" (300 mm) (5 x internal diameter with fixed piping)?
  - Have the instructions for hose layout been followed?
  - Steam hose: no sagging (condensate pocket) or condensate drain with trap (hose bend with a minimum diameter of 8" (200 mm)) installed at the lowest point and filled with water?
  - Fixed steam lines: properly insulated? Correct installation material used? Minimum internal diameter maintained?
  - Steam hose or steam hose pieces securely attached with clamps?
  - Heat expansion during operation and shortening of the hose with ageing taken into consideration?
- Condensate hose
  - Downslope of at least 1.2°?
  - Trap min. ø8" (ø200 mm) in place and filled with water?
  - Condensate hose correctly connected and supported and not kinked?

## 5.6 Water Installation

### 5.6.1 Overviews Water Installation

Note: with RS-RO Option installed see [Section 5.6.2](#).

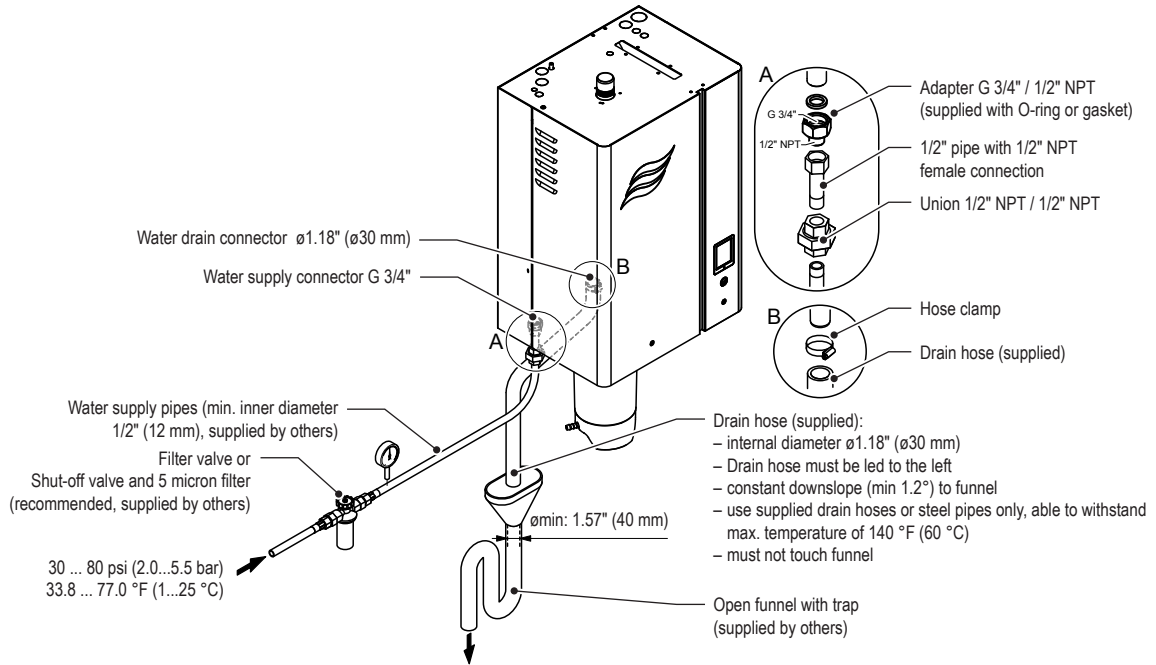


Fig. 17: Overview water installation for single units Small and Medium

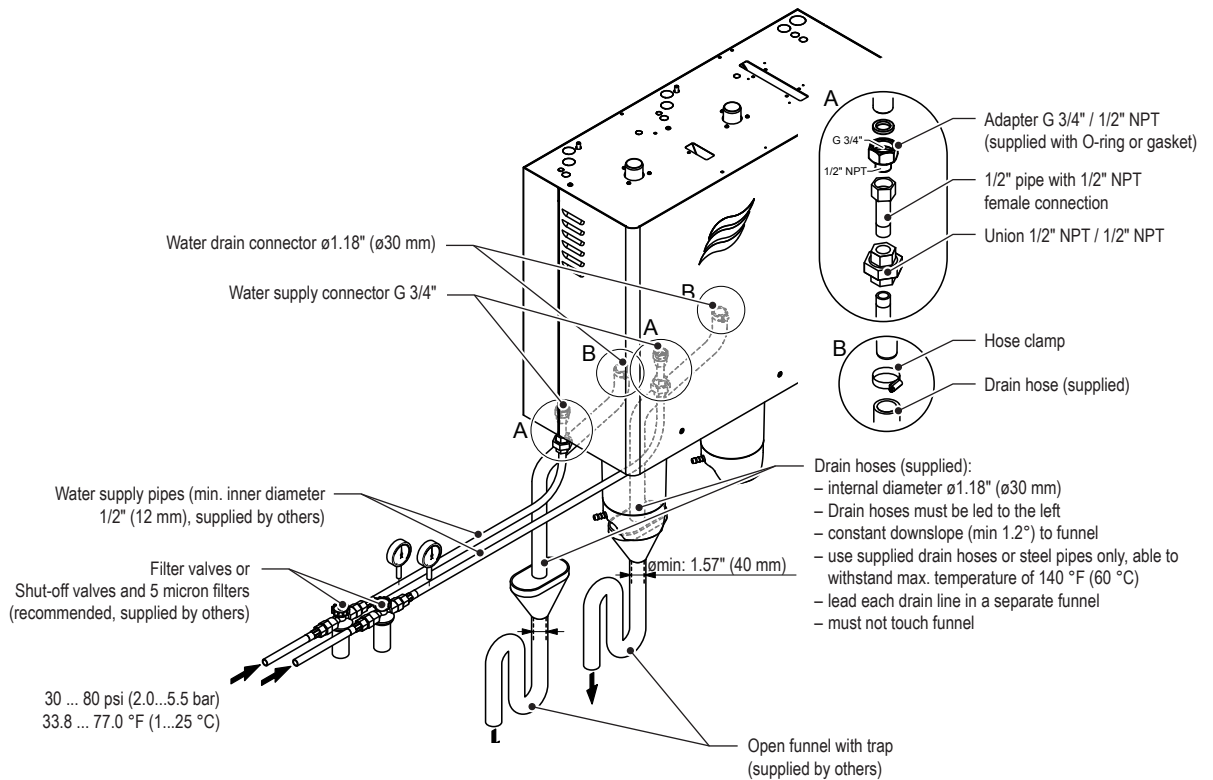


Fig. 18: Overview water installation for single units Large

## 5.6.2 Overviews Water Installation (with RS-RO option installed)

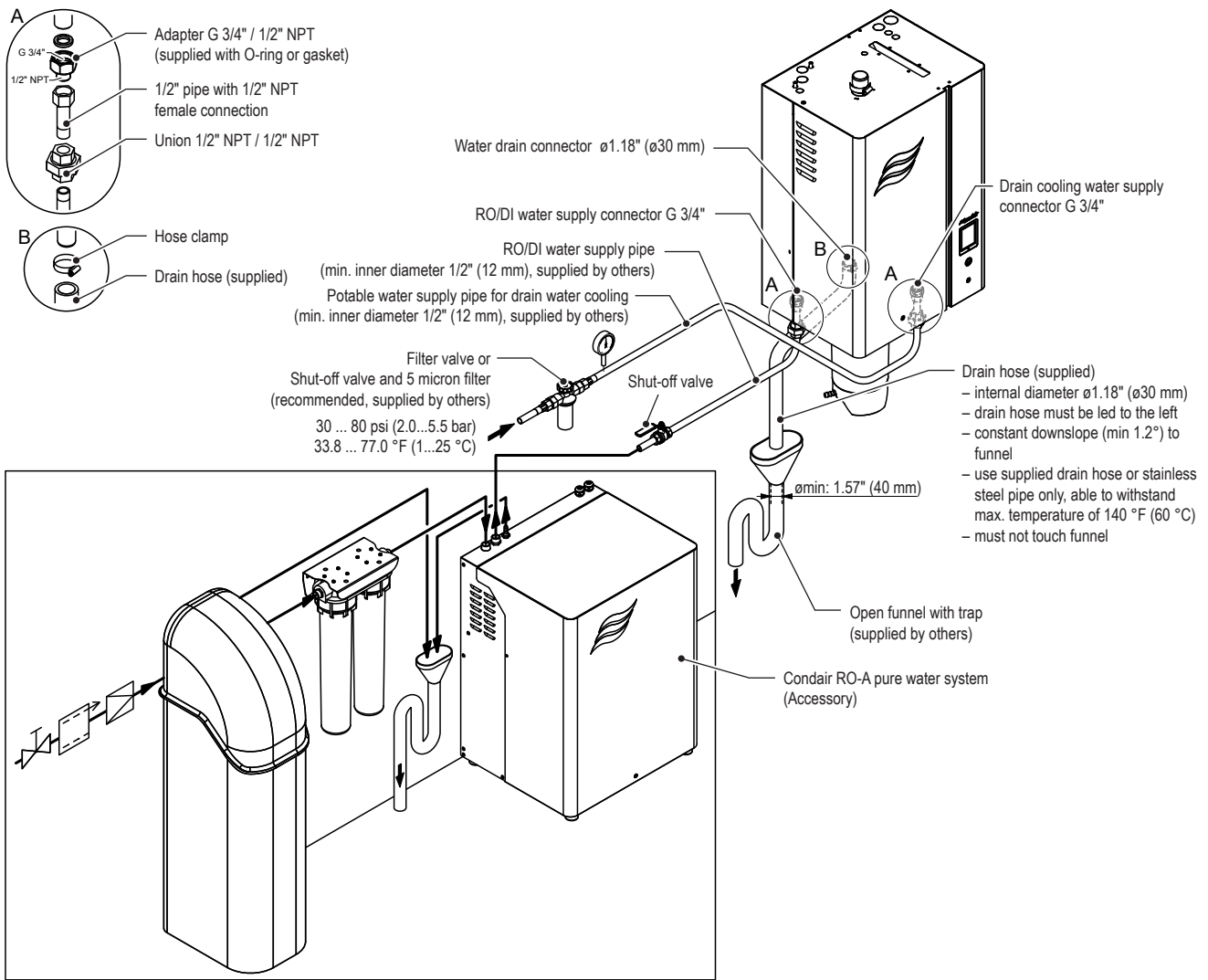


Fig. 19: Overview water installation for single units Small and Medium (with RS-RO option installed)

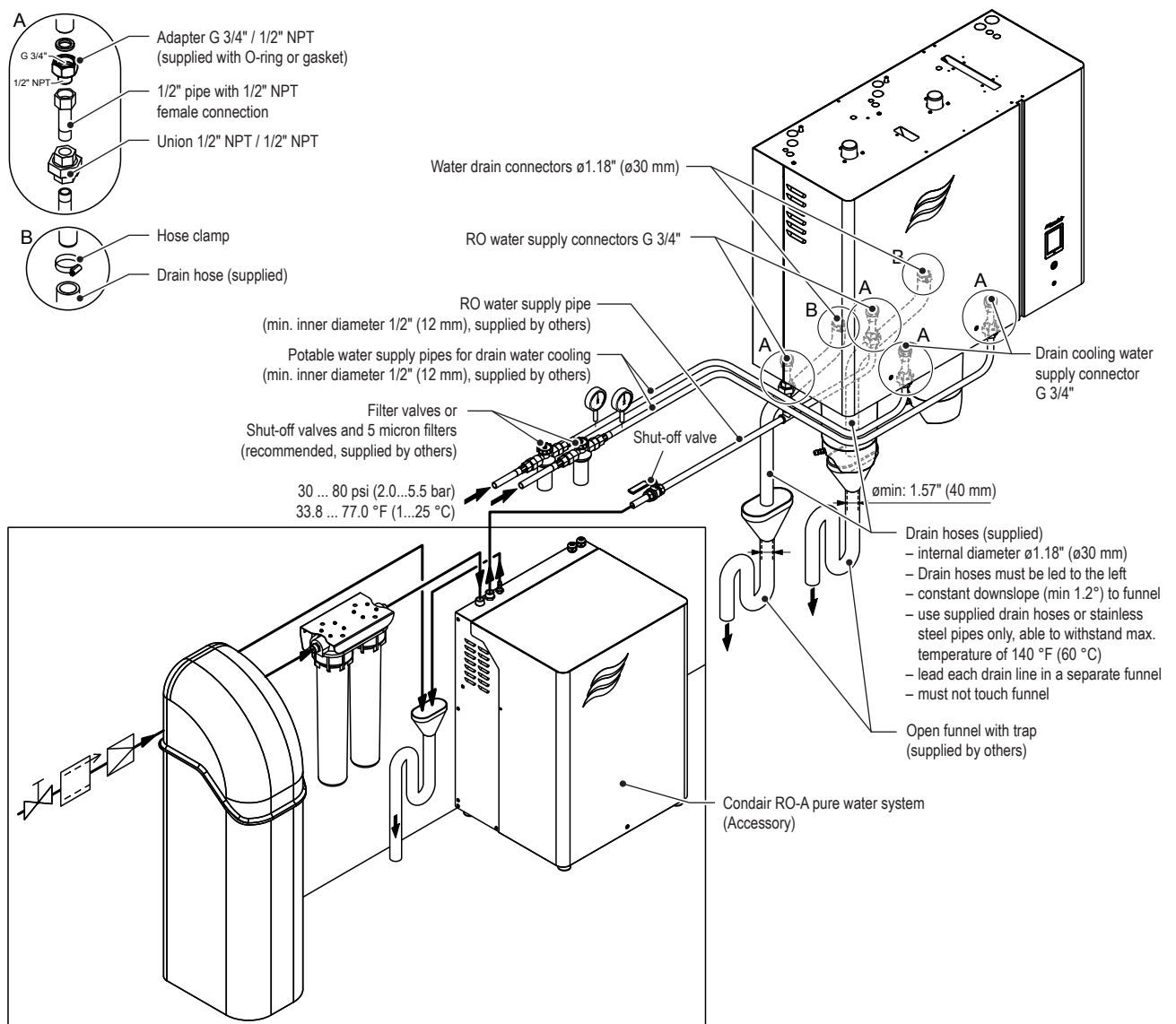


Fig. 20: Overview water installation for single units Large (with RS-RO option installed)

## 5.6.3 Notes on Water Installation

### 5.6.3.1 Water Supply (Potable, RO or DI water)

The water supply is to be carried out according to [Fig. 17](#) and [Fig. 18](#) or [Fig. 19](#) and [Fig. 20](#) and the applicable local regulations for water installations. The indicated connection specifications must be observed.

- The installation of a **filter valve** (alternatively a shut-off valve and a 5 micron water filter can be used) should be made as close as possible to the steam humidifier.
- Admissible mains pressure **30 ... 80 psi (2.1...5.5 bar)**  
For mains pressures > 145.0 psi (>10 bar), the connection must be made via a pressure reducing valve (adjusted to 30.0 psi (2.1 bar)). For mains pressures <30.0 psi (2.1 bar) please contact your Condair supplier.

Note: The water supply system must be free of pressure bumps (**hammer-free**). The installation of a check valve in the water supply line is therefore not permitted, as this can lead to pressure bumps in the water system and damage the inlet valve. If a pipe disconnecter is to be installed in the inlet water system, a model with overpressure protection must be installed. If water hammers cannot be avoided in the supply line, a pressure shock absorber must be installed.

- Supply rates:

RS	Max. fill rates
Small	3.70 gal/min (14 l/min)
Medium	3.70 gal/min (14 l/min)
Large	2 x 3.70 gal/min (2 x 14 l/min)

- **Notes on water quality:**

- For the water supply of the Nortec RS, use exclusively **potable drinking water in accordance with the applicable local regulations** or water from a RO system or de-ionized water system.
- The use of **additives** such as corrosion inhibitors, disinfectants, etc. is **not allowed**, since these additives may endanger health and affect proper operation.
- Conductivity should be between 1 and 1500  $\mu\text{S}/\text{cm}$ . Note that conductivity less than 1  $\mu\text{S}/\text{cm}$  is very aggressive water (this is equivalent to a resistivity of 1  $\text{M}\Omega$  or greater). It is recommended to blend such water with other less-treated water to ensure the supply is not overly aggressive.
- Hardness should be between 0 and 12 grains/gallon.
- Silica content should be between 0 and 12 ppm.
- pH should be between 6.5 and 7.5.
- Chloride content should be between 0 and 50 ppm.
- The connection material must be **pressure-proof** and **certified for use in drinking water systems**. When connected to a RO or DI water source, use only installation materials that are acceptable for the treated water.
- **Important!** Before connecting the water line(s), **the line(s) must be well flushed out.**



#### CAUTION!

The thread at the humidifier connection is made of plastic. To avoid overtightening, the adapter and the union nut of the water pipe must be **tightened by hand** only.



### 5.6.3.2 Additional Requirements for RS-RO Option Water Supply

With the RS-RO option installed the water supply and the drain cooling water supply are to be carried out according to [Fig. 19](#) and [Fig. 20](#) and the applicable local regulations for water installations. The indicated connection specifications must be observed.

– **RO water supply:**

- The RO water supply must be connected to the inlet connector(s) according to [Fig. 19](#) and [Fig. 20](#). Use only installation material that is approved for RO or DI water to connect the RO-A pure water system to the Nortec RS. All water supply requirements outlined in [Section 5.6.3.1](#) must also be adhered to with the RO or DI water supply.

Note: Detailed information regarding the installation of the RO-A pure water system can be found in the separate installation and operation manual of the Condair RO-A.

– **Drain cooling water supply:**

The separate drain cooling water supply must be connected to the optional drain water cooling inlet valve(s) provided with the RS-RO option according to [Fig. 19](#) and [Fig. 20](#). Please observe the following notes regarding the drain cooling water supply installation.

- Admissible mains pressure **30 ... 80 psi (2.1...5.5 bar)**

For mains pressures > 145.0 psi (>10 bar), the connection must be made via a pressure reducing valve (adjusted to 30.0 psi (2.1 bar)). For mains pressures <30.0 psi (2.1 bar) please contact your Condair supplier.

Note: The water supply system must be free of pressure bumps (**hammer-free**). The installation of a check valve in the water supply line is therefore not permitted, as this can lead to pressure bumps in the water system and damage the inlet valve. If a pipe disconnect is to be installed in the inlet water system, a model with overpressure protection must be installed. If water hammers cannot be avoided in the supply line, a pressure shock absorber must be installed.

- Supply rates:

RS with RS-RO option	Max. fill rates	
	Inlet RO	Drain water cooling (potable)
Small	0.32 gal/min (1.2 l/min)	3.70 gal/min (14 l/min)
Medium	0.53 gal/min (2 l/min)	3.70 gal/min (14 l/min)
Large	2 x 0.53 gal/min (2 x 2 l/min)	2 x 3.70 gal/min (2 x 14 l/min)

– **Notes on water quality:**

- For the drain cooling water supply, use exclusively **potable drinking water in accordance with the applicable local regulations**.
- The use of **additives** such as corrosion inhibitors, disinfectants, etc. is **not allowed**.
- The connection material must be **pressure-proof** and **certified for use in drinking water systems**.
- **Important!** Before connecting the water line, **the line must be well flushed out**.



**CAUTION!**

The thread at the humidifier connection(s) is/are made of plastic. To avoid overtightening, the adapter(s) and the union nut(s) of the water pipe must be **tightened by hand only**.

### 5.6.3.3 Water Drain

The water drain is to be carried out according to the figures found in [Section 5.6.1](#) and the applicable local regulations for water installations. The indicated connection specifications must be observed.

- Draining rate: approx. 6.7 gal/min (25.4 l/min) per 33.07 lbs/hr (15 kg/h) steam capacity
- The draining temperature is 140 °F (60°C) or less. Use temperature-resistant installation materials only!
- When operating the Nortec RS with RO water use only installation material that is approved for RO water.
- Make sure that the drain pipes, the funnel(s) and the siphon(s) are correctly fixed and easily accessible for inspections and cleaning purposes.
- Always lead the supplied drain hose from the connector to the left down to the funnel (see [Fig. 17](#)).

On large units with two steam cylinders each drain line must be led into a separate funnel with trap (see [Fig. 18](#)).

- Attach drain line(s) in such a way, that it/they cannot slip out of the funnel(s) and that it/they cannot bottom out in the funnel(s).
- The open end of the drain line(s) must not touch the funnel(s) (min. air gap 1" (2.5 cm)).

## 5.6.4 Inspecting the Water Installation

Check the following topics:

- Water supply
  - Has filter valve or shut-off valve and 5 µm water filter respectively been installed in supply line to each unit module?
  - Has acceptable water pressure (30 ... 80 psi (2.1...5.5 bar)) and acceptable water temperature 33.8 ... 77.0 °F (1...25 °C)) been connected?
  - Does the water supply capacity match the humidifier and is the minimum inside diameter of the supply pipe maintained throughout the entire length (min. internal diameter of 1/2" (12 mm) for systems with optional drain water cooling recommended)?
  - Are all components and pipes properly secured and are all threaded connections securely tightened?
  - Is the water system properly sealed?
  - Does the water supply installation meet the requirements of the local regulations for water installations?
  - For RO or DI water supply: Has installation material been approved for use with treated water?
- Water Supply (with RS-RO option installed)
  - RO water supply:
    - Has RO-A pure water system been installed according to the notes in the separate Condair RO-A installation and operation manual.
    - Has RO water supply been connected to the water inlet connector according to [Fig. 19](#) and [Fig. 20](#) and has installation material been used approved for use with RO water?

- Drain cooling water supply (potable drinking water):
  - Has filter valve or shut-off valve and 5 µm water filter respectively been installed in supply line to each unit module?
  - Has acceptable water pressure (30 ... 80 psi (2.1...5.5 bar)) and acceptable water temperature 33.8 ... 77.0 °F (1...25 °C) been connected?
  - Does the drain cooling water supply capacity match the humidifier and is the minimum inside diameter of the supply pipe maintained throughout the entire length (min. internal diameter of 12 mm for systems with optional drain water cooling recommended)?
  - Are all components and pipes properly secured and are all threaded connections securely tightened?
  - Is the drain cooling water system properly sealed?
  - Does the drain cooling water supply installation meet the requirements of the local regulations for water installations?
  
- Water Drain
  - Is the minimum inside diameter of the drain pipe(s) of ø1.18" (30 mm) maintained throughout the entire length?
  - Has/have drain pipe(s) been installed with a downslope of at least 1.2°?
  - Has the heat resistance of the material used been verified to be at least 212 °F/100 °C (140 °F/60 °C for systems with optional drain water cooling)?
  - If Nortec RS is operated with RO or DI water: Has installation material been used approved for the treated water?
  - Is/are the drain hose(s) properly secured (hose clamps at unit connection tightened)?
  - Is there an air gap (min. 1" (2.5 cm)) between the open end of the drain line and the funnel?
  - Does the water drain installation meet the requirements of the local regulations for water installations?

## 5.7 Notes on Humidity Control Systems/Humidity Control

### 5.7.1 Control Device Locations

The following schematic describes a potential system setup with respect to control devices.

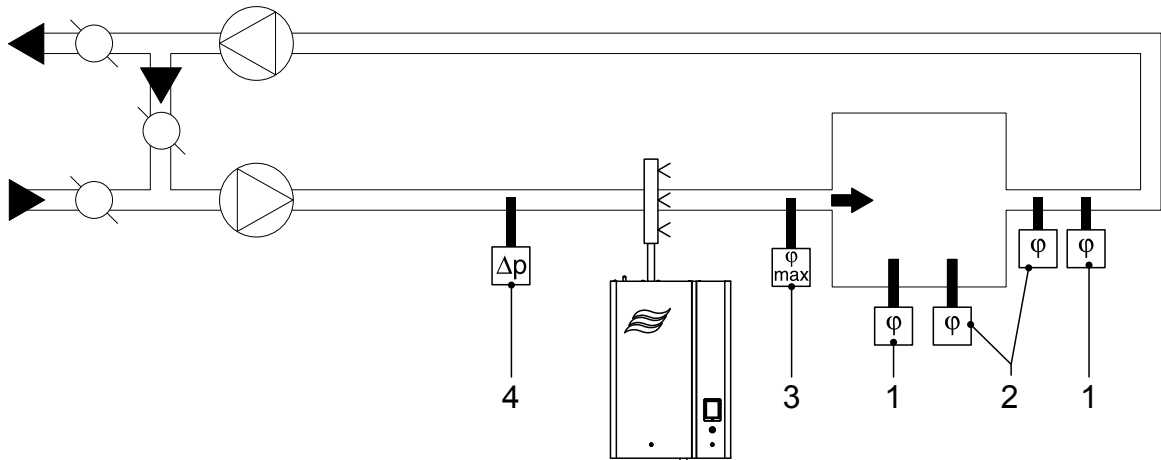


Fig. 21: System Setup Schematic

- 1 Humidistat
- 2 Humidity sensor
- 3 High limit humidistat
- 4 Air proving switch

#### Notes:

- Locate the air proving switch in the same duct as the humidifier’s distributor so that it can sense air flow (or lack thereof).
- Locate the high limit humidistat downstream of the humidifier’s distributor so that it can sense a duct that is over-humidified. Recommended setting is 85% RH. Locate it downstream of the distributor at least 5x the absorption distance. If the absorption distance is not known, locate at least 10 feet (3m) downstream of the distributor. Can be a humidistat (modulating or On/Off), or a humidity sensor.
- Humidity sensors and humidistats can be modulating or On/Off. Preferred location is in the return duct, as the supply air is well mixed with the room air at this location. Avoid placing near discharge diffuser, near doorways, in sunlight, or in airflow “dead-zones”.

### 5.7.2 Admissible Control Signals

Control with external controller Control signals	Control with internal PI controller Humidity sensor signals
0...5 VDC	0...5 VDC
1...5 VDC	1...5 VDC
0...10 VDC (Potentiometer 140 Ω ... 10 kΩ)	0...10 VDC (Potentiometer 140 Ω ... 10 kΩ)
2...10 VDC	2...10 VDC
0...20 VDC	0...20 VDC
0...16 VDC	0...16 VDC
3.2...16 VDC	3.2...16 VDC
0 ... 20 mA	0 ... 20 mA
4 ... 20 mA	4 ... 20 mA
Digital signals (building automation)	Digital signals (building automation)
Humidistat (24 V On/Off)	

## 5.8 Electrical Installation

### 5.8.1 Notes on Electrical Installation



**DANGER!**  
Danger of electric shock

**The Nortec RS is mains powered. Live parts may be exposed when the unit is open. Touching live parts may cause severe injury or danger to life.**

**Prevention:** The Nortec RS unit must be connected to the mains only after all mounting and installation work has been completed, all installations have been checked for correct workmanship and the unit is closed and properly locked.



**CAUTION!**

The electronic components inside the unit are very sensitive to electrostatic discharge. Before carrying out installations work inside the unit, appropriate measures must be taken to protect the electronic components against damage caused by electrostatic discharge (ESD protection).

- All work concerning the electrical installation must be performed only by **skilled and qualified technical personnel (e.g. electrician with appropriate training) authorized by the owner**. It is the owner's responsibility to verify proper qualification of the personnel.
- The electrical installation must be carried out according to the corresponding wiring diagram (see [Sections 5.8.2 and 5.8.3](#)), the notes on electrical installation as well as the applicable local regulations. All information given in the wiring diagrams and notes must be followed and observed.
- All cables must be lead into the unit, via appropriate cable strain relief or grommets. The cable for the heating voltage supply must be lead into the unit from the bottom via the cable opening equipped with the clamp. Fix the cable with the clamp strap.
- Make sure the cables are adequately clamped, do not rub on any components or become a tripping hazard.
- Observe and maintain maximum cable length and required cross section per wire according to local regulations.
- The mains supply voltages (heating and control voltage supply) must match the respective voltage stated on the specification label.

## 5.8.2 Wiring Diagram Nortec RS - Small and Medium Units

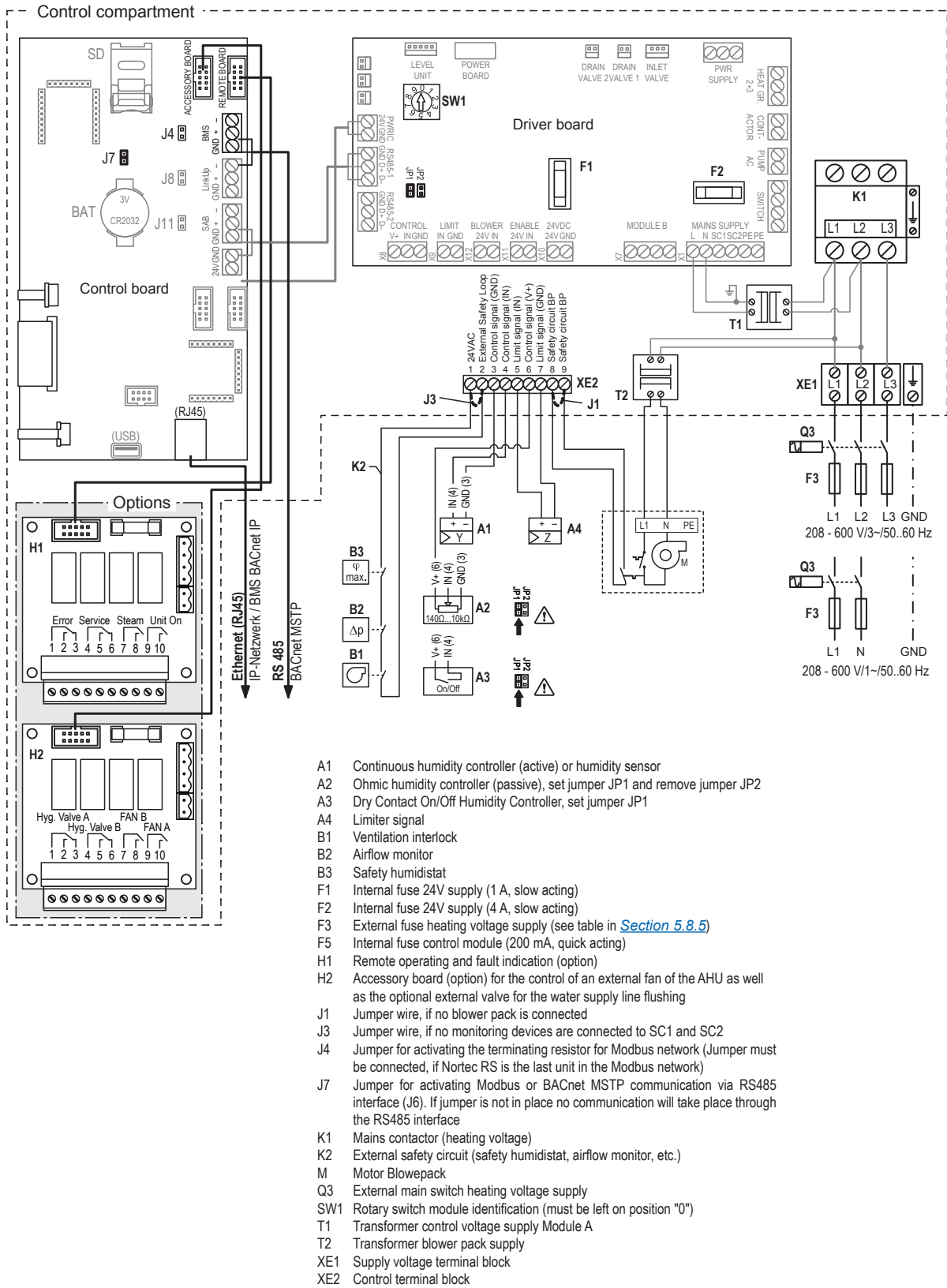
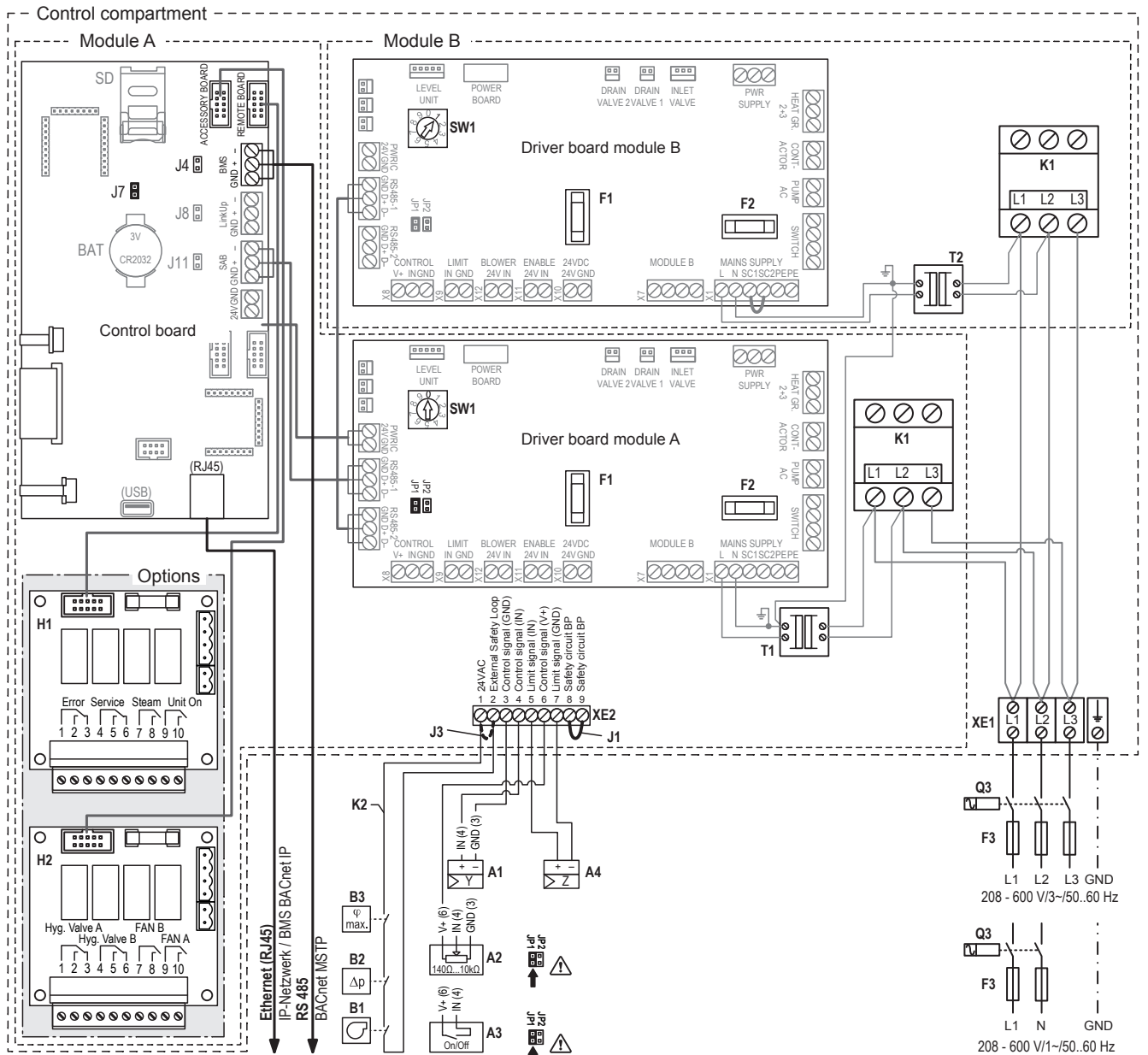


Fig. 22: Wiring diagram Nortec RS - Single units Small and Medium

### 5.8.3 Wiring Diagram Nortec RS - Large Units



- |   |   |
|---|---|
| <p>A1 Continuous humidity controller (active) or humidity sensor</p> <p>A2 Ohmic humidity controller (passive), set jumper JP1 and remove jumper JP2</p> <p>A3 Dry Contact On/Off Humidity Controller, set jumper JP1</p> <p>A4 Limiter signal</p> <p>B1 Ventilation interlock</p> <p>B2 Airflow monitor</p> <p>B3 Safety humidistat</p> <p>F1 Internal fuse 24V supply (1 A, slow acting)</p> <p>F2 Internal fuse 24V supply (4 A, slow acting)</p> <p>F3 External fuse heating voltage supply (see table in <a href="#">Section 5.8.5</a>)</p> <p>F5 Internal fuse control module (200 mA, quick acting)</p> <p>H1 Remote operating and fault indication (option)</p> <p>H2 Accessory board (option) for the control of an external fan of the AHU as well as the optional external valve for the water supply line flushing</p> <p>J1 Jumper wire, <b>do not remove</b></p> <p>J3 Jumper wire, if no monitoring devices are connected to SC1 and SC2</p> | <p>J4 Jumper for activating the terminating resistor for Modbus network (Jumper must be connected, if Nortec RS is the last unit in the Modbus network)</p> <p>J7 Jumper for activating Modbus or BACnet MSTP communication via RS485 interface (J6). If jumper is not in place no communication will take place through the RS485 interface</p> <p>K1 Mains contactor (heating voltage) unit A/unit B</p> <p>K2 External safety circuit (safety humidistat, airflow monitor, etc.)</p> <p>Q3 External main switch heating voltage supply</p> <p>SW1 Rotary switch module identification (Master Module A: 0, Module B: 1)</p> <p>T1 Transformer control voltage supply Module A</p> <p>T2 Transformer control voltage supply Module B</p> <p>XE1 Supply voltage terminal block</p> <p>XE2 Control terminal block</p> |
|---|---|

Fig. 23: Wiring diagram Nortec RS - Large units

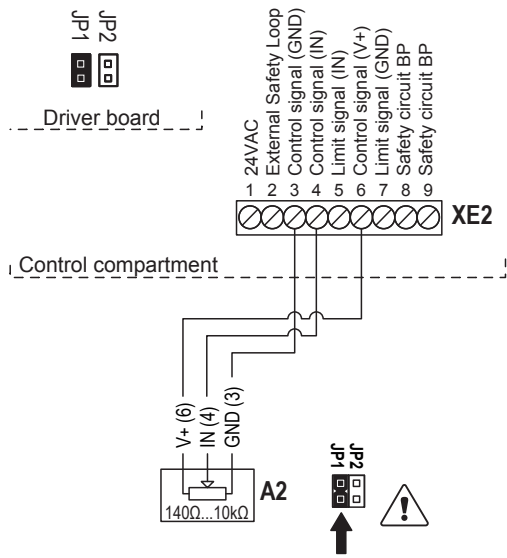
## 5.8.4 Installation Work External Connections

Connecting the external safety chain	
	<p>The potential-free contacts of external monitoring devices (e.g. ventilation interlock, safety high limit humidistat, airflow monitor, etc.) are connected in series (safety chain "K2") to the terminals "1" and "2" of the control terminal block "XE2" inside the control compartment in accordance with the wiring diagram.</p> <p>The connecting cable must be led through a cable gland into the control compartment.</p> <p><b>Caution! A high limit humidistat is highly recommended</b> to prevent risk of over-humidification and potential damage to property.</p> <p><b>Note:</b> If, for whatever reason, no external monitoring devices are connected, a jumper wire "J3" must be installed on the contacts "1" and "2" of the control terminal block.</p> <p><b>CAUTION! Do not apply any extraneous voltage to contacts "1" and "2" via the contacts of the external monitoring devices.</b></p>

Connecting the demand or humidity signal	
	<p>The signal cable of an external controller or of a humidity sensor (if the internal P/Pi controller is used) are to be connected according to the wiring diagram to the terminals "3" (GND) and "4" (IN) of the control terminal block "XE2" inside the control compartment. The admissible signal values can be found in the technical data table in the operation manual. The connecting cable must be led through a cable gland into the control compartment.</p> <p>Note: The admissible humidity control signal values can be found in the technical data table in the operation manual.</p> <p>If a shielded signal cable is used, connect the shielding to terminal "3" (GND).</p> <p><b>Caution!</b> If the shielding of the control signal is <b>already connected to a potential or a grounded conductor, do not</b> connect it to terminal "3" (GND).</p> <p>Ensure that JP1 is connected.</p>



### Ohmic humidity controller (passive)

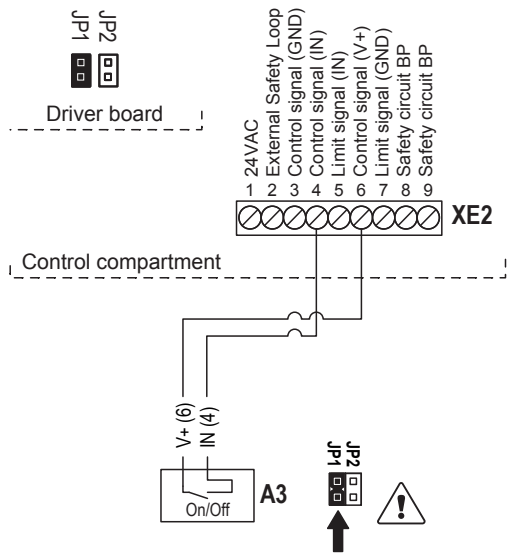


The signal cable of an ohmic humidity controller (140Ω...10kΩ) is to be connected according to the wiring diagram to the terminals "3" (GND), "4" (IN) and "6" (V+) of the control terminal block "XE2" inside the control compartment.

The connecting cable must be led through a cable gland into the control compartment.

Note: When connecting an ohmic humidity controller Jumper "JP2" must be removed and Jumper "JP1" must be connected on the driver board and the control signal type must be set to 0-10V in the control settings of the control software.

### Dry Contact On/Off Humidity Controller

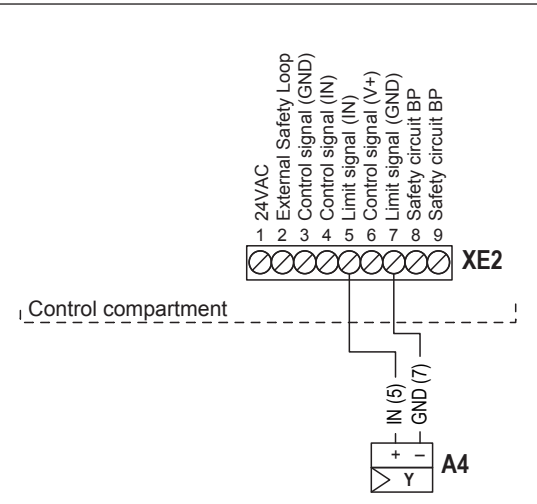


The signal cable of Dry Contact On/Off Humidity Controller is to be connected according to the wiring diagram to the terminals "4" (IN) and "6" (V+) of the control terminal block "XE2" inside the control compartment.

The connecting cable must be led through a cable gland into the control compartment.

Note: When connecting a Dry Contact On/Off Humidity Controller Jumper, "JP1" must be connected on the driver board and the control signal type must be set to 0-10V in the control setting of software.

## Limiter signal

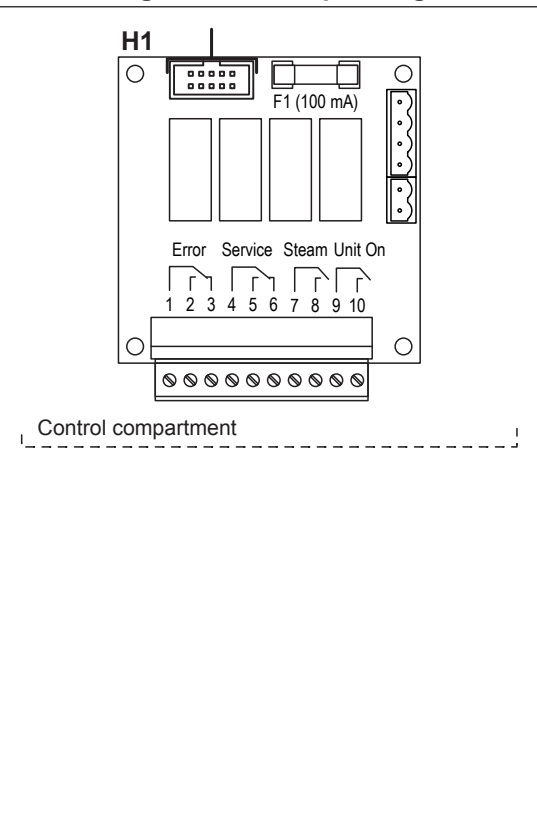


The signal cable of an external limiter (P/PI continuous controller) is to be connected according to the wiring diagram to the terminals "5" (Limit signal IN) and "7" (Limit signal GND) of the control terminal block "XE2" inside the control compartment .

The connecting cable must be led through a cable gland into the control compartment.

Note: The limiter must be activated and configured via the control software. The admissible limiter signal values can be found in the technical data table in the operation manual.

## Connecting the remote operating and fault indication (Option)



The remote operating and fault indication board contains four potential-free relay contacts for the connection of the following operating and fault indications:

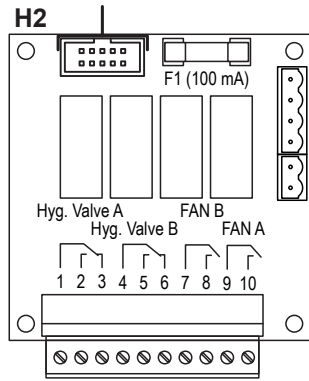
- "Error" (Terminal 1 and 2/3):  
This relay is activated if an error is present.
- "Service" (Terminal 4 and 5/6):  
This relay is activated when the set maintenance interval has elapsed.  
Note: this relay can be configured in the control software to close either when maintenance is required or when maintenance is required and when a warning is indicated.
- "Steam" (Terminal 7 and 8):  
This relay closes as soon as the Nortec RS humidifies.
- "Unit on" (Terminal 9 and 10):  
This relay closes as soon as the voltage supply to the control compartment of the Nortec RS is switched on.

The connecting cable must be led through a cable gland or grommet into the control compartment.

The **maximum contact loading** is **24V/8A**.

Appropriate suppressor modules are to be used for the switching of relays and miniature contactors.

## Connecting the optional accessory board



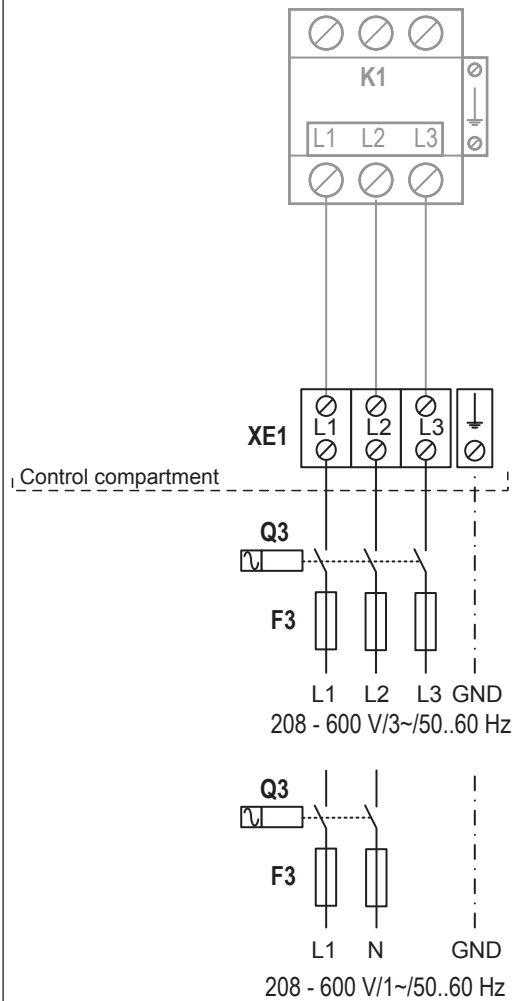
The optional accessory board contains four potential-free relay contacts to activate external fans of the AHU and the optional valves for flushing the water supply lines:

- "Hyg. Valve A" (Terminal 1 and 2):  
This relay activates the optional valve for flushing the water supply line connected to module A.
- "Hyg. Valve B" (Terminal 4 and 5):  
This relay activates the optional valve for flushing the water supply line connected to module B.
- "FAN B" (Terminal 7 and 8):  
This relay activates an external fan of the AHU if module B is producing steam.
- "FAN A" (Terminal 9 and 10):  
This relay activates an external fan of the AHU if module A is producing steam.

The connecting cable must be led through a cable gland or grommet into the control compartment.

The **maximum contact loading** is **24V/8A**.

## Connecting the voltage supply



The **voltage supply** (L1, L2, L3 and GND or L1 and) is to be connected in accordance with the wiring diagram to the corresponding terminals of the main contactor in the control compartment. The earth conductor is to be connected to the earth terminal right beside the phase terminals. The supply wiring is to be fed into the unit via the clamp strap on the bottom of the unit.

The installation of the **fuses F3** and the **electrical isolator "Q3"** (all pole disconnecting device with a minimum contact clearance of 3 mm) in the mains supply line are mandatory.

Note: a table with the values for the fuses "F3" is to be found in [Section 5.8.5](#).

For safety reasons the additional installation of a residual current circuit breaker in the mains supply line (supplied by others) is recommended. However, the local electrical installation regulations must be observed and adhered to.

The electrical isolator must be mounted in direct proximity of the control compartment (max. distance 40" (1 m)) and must be easily accessible in a height between 24" (0.6 m) and 75" (1.9 m) (recommended: 67" (1.7 m)).

**CAUTION!** Make sure the voltage indicated on the specification label meets the local mains voltage. Otherwise, do not connect the unit.

The cross-section of the mains cable must comply with the applicable local regulations.

## Connecting the Blower Pack BP

See separate documentation for blower pack BP.

## 5.8.5 Fuses "F3" Voltage Supply

	208 V/1~/50...60 Hz			240 V/1~/50...60 Hz			480 V/1~/50...60 Hz			600 V/1~/50...60 Hz		
	Max. output (kW)	Max. Current (A)	Max. external fuse F3 (A)	Max. output (kW)	AL min. in mm2	Max. external fuse F3 (A)	Max. output (kW)	AL min. in mm2	Max. external fuse F3 (A)	Max. output (kW)	Max. Current (A)	Max. external fuse F3 (A)
<b>RS 10</b>	3.7	17.8	25	3.7	2.5	20	3.3	2.5	15	3.9	6.5	15
<b>RS 15</b>	5.4	26	35	4.9	4	30	4.8	2.5	15	5	8.3	15
<b>RS 20</b>	7.2	34.7	45	7.2	10	40	6.4	2.5	20	6.7	11.1	15
<b>RS 30</b>	10.8	52	70	10.8	16	60	10.7	4	30	10.7	17.8	25
<b>RS 45</b>	—	—	—	—	—	—	—	—	—	—	—	—
<b>RS 65</b>	—	—	—	—	—	—	—	—	—	—	—	—
<b>RS 90</b>	—	—	—	—	—	—	—	—	—	—	—	—
<b>RS 130</b>	—	—	—	—	—	—	—	—	—	—	—	—
<b>RS 180</b>	—	—	—	—	—	—	—	—	—	—	—	—

	208 V/3~/50...60 Hz			240 V/3~/50...60 Hz			480 V/3~/50...60 Hz			600 V/3~/50...60 Hz		
	Max. output (kW)	Max. Current (A)	Max. external fuse F3 (A)	Max. output (kW)	Max. Current (A)	Max. external fuse F3 (A)	Max. output (kW)	Max. Current (A)	Max. external fuse F3 (A)	Max. output (kW)	Max. Current (A)	Max. external fuse F3 (A)
<b>RS 10</b>	3.7	10.3	15	3.7	8.9	15	3.8	4.6	15	3.8	3.6	15
<b>RS 15</b>	5.4	15	20	4.9	11.9	15	5	6	15	6	5.8	15
<b>RS 20</b>	7.2	20	25	7.2	17.3	25	6.6	7.9	15	7.7	7.4	15
<b>RS 30</b>	9.8	27.2	35	10.8	26	35	10.7	12.9	20	10.7	10.3	15
<b>RS 45</b>	16.2	45	60	16.1	38.7	50	15.4	18.5	25	16	15.4	20
<b>RS 65</b>	24.3	67.5	90	24.1	58	80	21.4	25.8	35	24	23.1	30
<b>RS 90</b>	32.4	90	50	32.2	77.4	40	32.1	38.7	125	32	30.8	100
<b>RS 130</b>	48.6	135	175	48.2	116	150	42.8	51.6	70	48	46.2	60
<b>RS 180</b>	—	—	—	—	—	—	64.2	77.3	100	64	61.7	80

## 5.8.6 Inspecting the Electrical Installation

Check the following points:

- Does the supply voltage comply with the voltage stated on the specification label?
- Is the voltage supply correctly fused?
- Are all components correctly connected according to the wiring diagram?
- Are all connecting cables fastened?
- Are the connecting cables free of tension (passed through cable glands?)
- Does the electric installation meet the applicable local regulations for electric installations?
- Is the unit reassembled correctly and the front panel fixed with the screw?

# 6 Appendix

## 6.1 Unit Dimensions

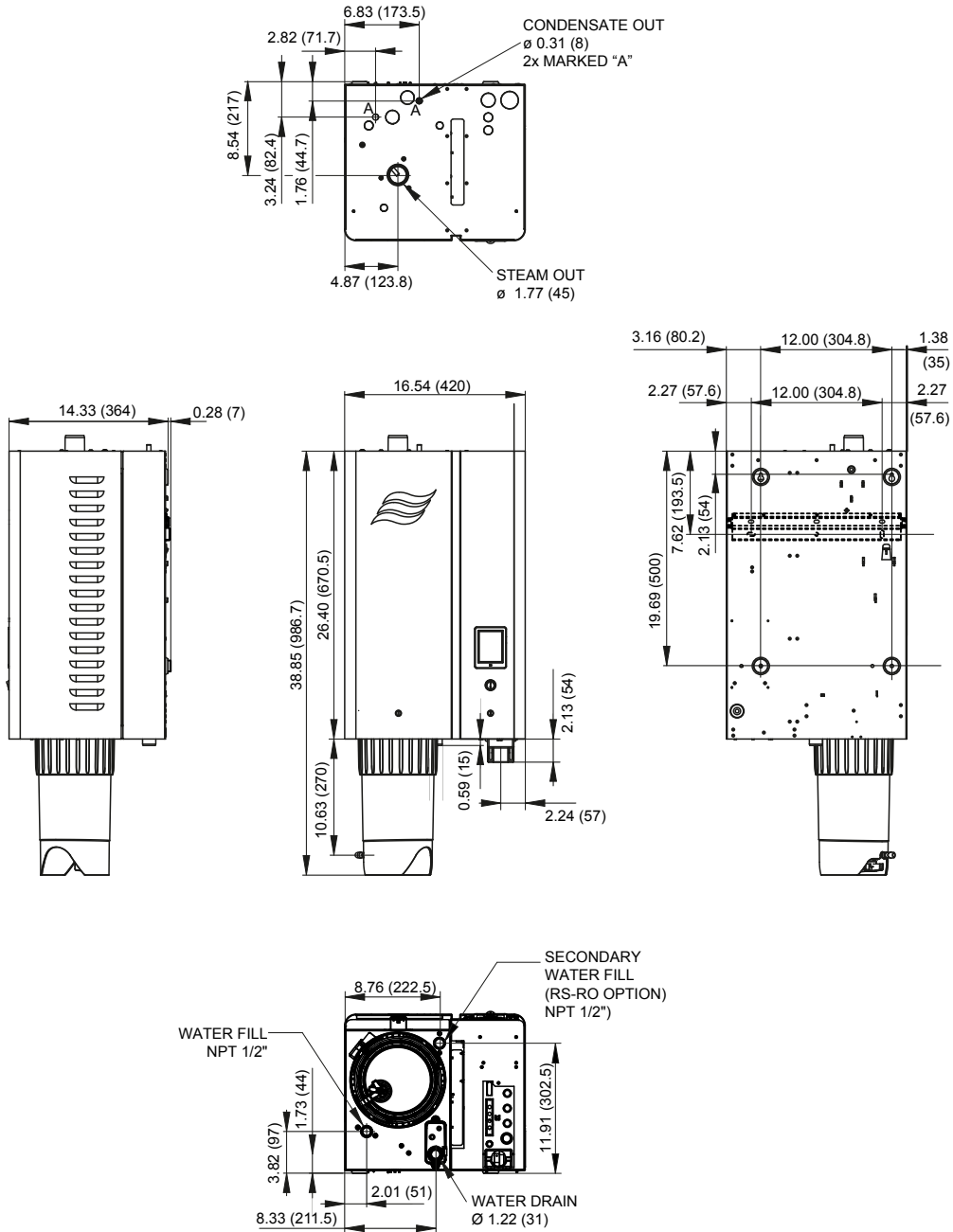


Fig. 24: Unit dimensions unit "Small" - dimensions in Inch (mm)

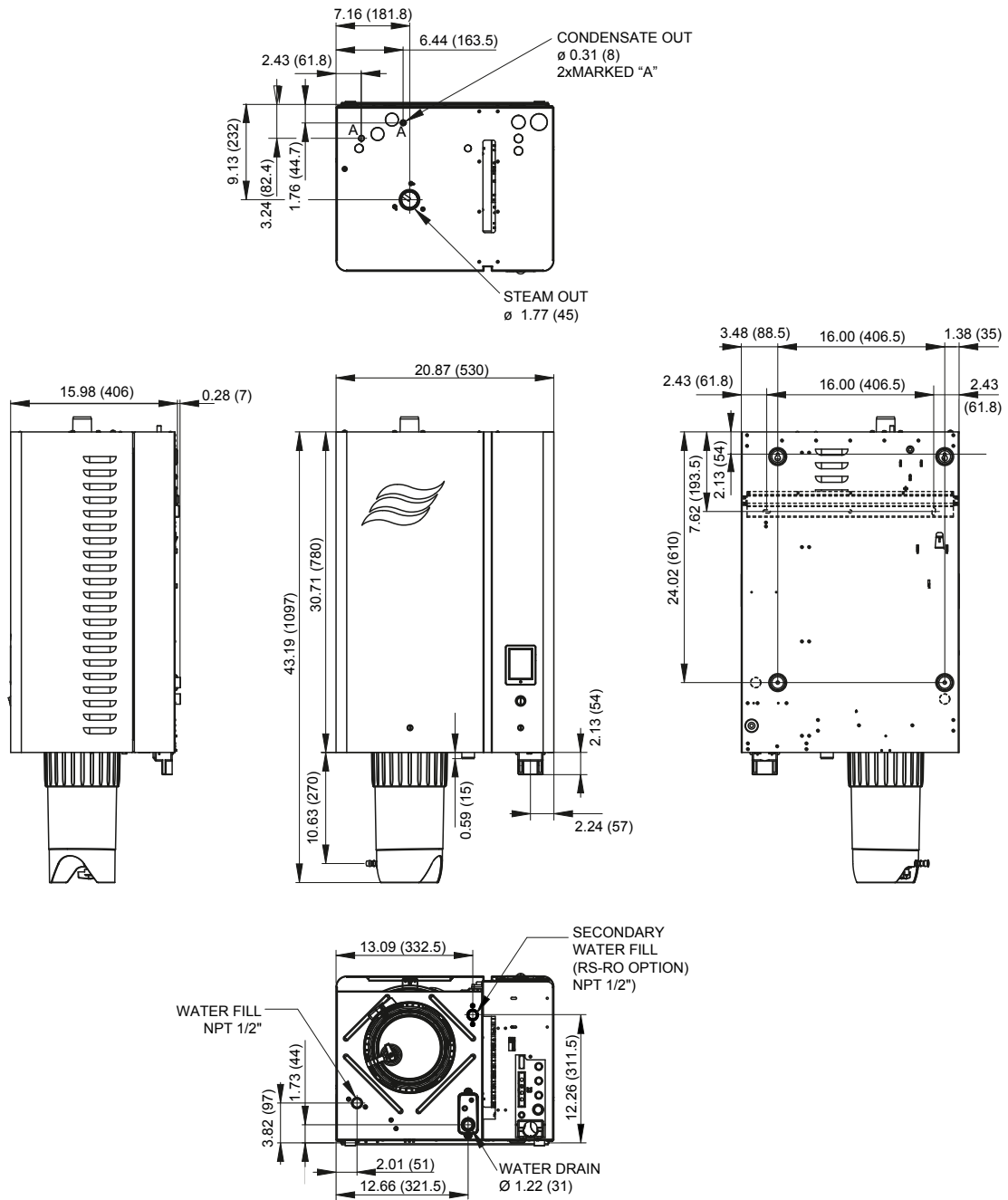


Fig. 25: Unit dimensions unit "Medium"- dimensions in Inch (mm)



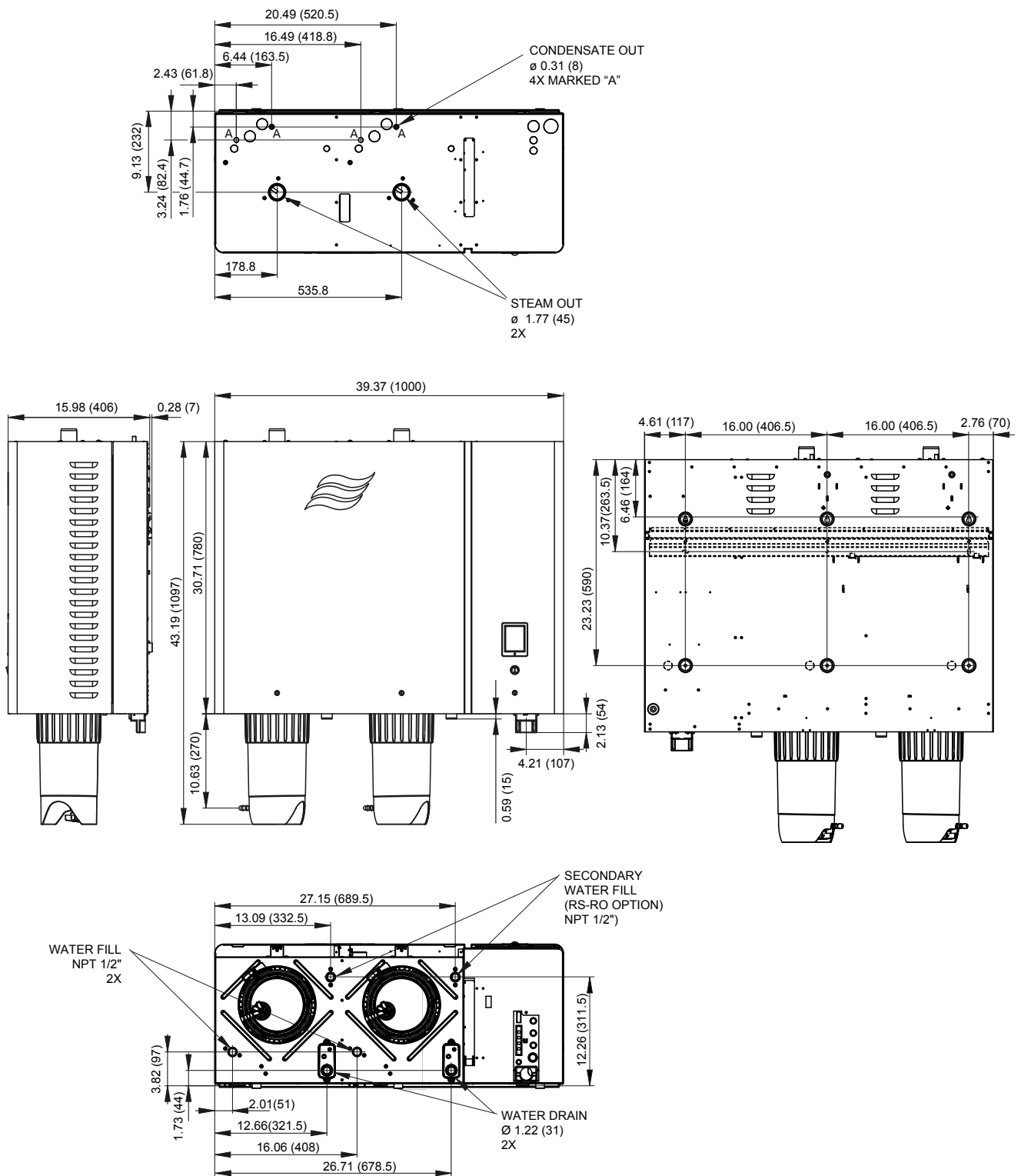
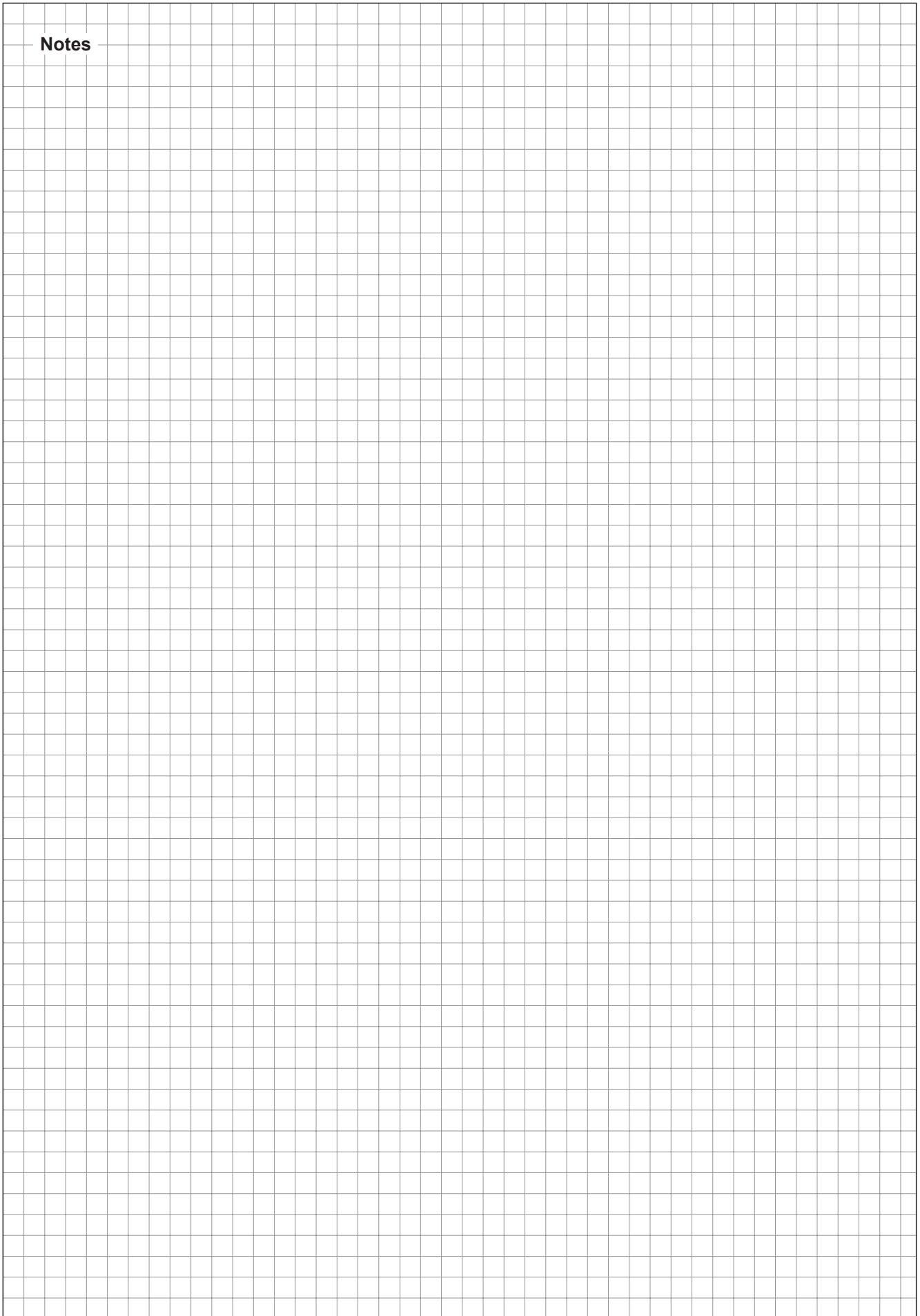


Fig. 26: Unit dimensions unit "Large"- dimensions in Inch (mm)

**Notes**



# Warranty

---

Condair Inc. and/or Condair Ltd. (hereinafter collectively referred to as THE COMPANY), warrant for a period of two years after installation or 30 months from manufacturer's ship date, whichever date is earlier, that THE COMPANY's manufactured and assembled products, not otherwise expressly warranted (with the exception of the cylinder), are free from defects in material and workmanship. No warranty is made against corrosion, deterioration, or suitability of substituted materials used as a result of compliance with government regulations.

THE COMPANY's obligations and liabilities under this warranty are limited to furnishing replacement parts to the customer, F.O.B. THE COMPANY's factory, providing the defective part(s) is returned freight prepaid by the customer. Parts used for repairs are warranted for the balance of the term of the warranty on the original humidifier or 90 days, whichever is longer.

The warranties set forth herein are in lieu of all other warranties expressed or implied by law. No liability whatsoever shall be attached to THE COMPANY until said products have been paid for in full and then said liability shall be limited to the original purchase price for the product. Any further warranty must be in writing, signed by an officer of THE COMPANY.

THE COMPANY's limited warranty on accessories, not of the companies manufacture, such as controls, humidistats, pumps, etc. is limited to the warranty of the original equipment manufacturer from date of original shipment of humidifier.

THE COMPANY makes no warranty and assumes no liability unless the equipment is installed in strict accordance with a copy of the catalog and installation manual in effect at the date of purchase and by a contractor approved by THE COMPANY to install such equipment.

THE COMPANY makes no warranty and assumes no liability whatsoever for consequential damage or damage resulting directly from misapplication, incorrect sizing or lack of proper maintenance of the equipment.

THE COMPANY makes no warranty and assumes no liability whatsoever for damage resulting from freezing of the humidifier, supply lines, drain lines, or steam distribution systems.

THE COMPANY retains the right to change the design, specification and performance criteria of its products without notice or obligation.



U.S.A.  
835 Commerce Park Drive  
Ogdensburg, New York 13669

CANADA  
2740 Fenton Road  
Ottawa, Ontario K1T 3T7

TEL: 1.866.667.8321  
FAX: 613.822.7964

EMAIL: [na.info@condair.com](mailto:na.info@condair.com)  
WEBSITE: [www.condair.com](http://www.condair.com)

