



DA
SERIES



TECHNICAL DATA SHEET

Desiccant Dryer
Condair DA 300N - 2400N

TECHNICAL DATA SHEET

Desiccant Dryer Condair DA 300N - 2400N

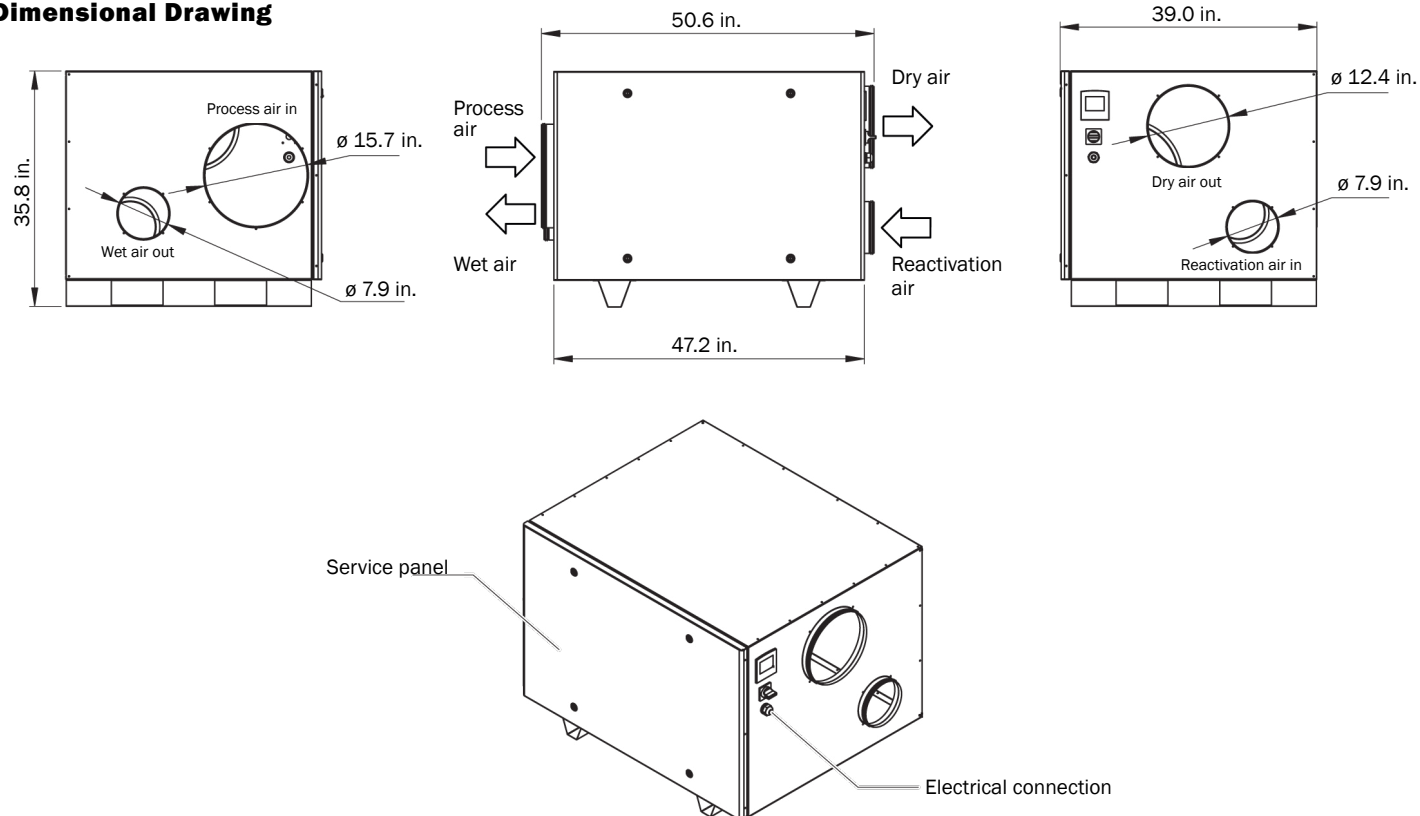
Desiccant dryer for industrial and commercial use. Resistant double-skin housing construction made of AluZinc® and RAL9006 powder coating. Equipped with 1.25 in. non-combustible mineral wool insulation. The desiccant dryers are stackable.

The desiccant dryers are supplied ready for connection and, depending on the configuration, they are connected to standard air ducts, electrical power supply and external humidity sensors.

The Condair DA 300N - 2400N desiccant dryers are equipped as standard with electric PTC reactivation heating. On request, pre- and post-cooling coils can be attached to the dryer depending on site requirements.

Product Features	Product Benefits
High-performance Silica Gel desiccant rotor	Large diameter rotor offering low pressure drop for efficient absorption of water molecules. The rotors are vertically mounted providing greater mechanical stability.
Robust AluZinc® housing with RAL9006 powder coating	Provides durability and corrosion resistance to protect against harsh environments over a long period of time.
Insulated casing with double skin layout	1.25 in. mineral wool insulation helps reduce the risk of condensation, heat emission, and radiated noise ensuring a more reliable and durable system.
Electric reactivation with self-regulating PTC heater	Units are provided with positive temperature coefficient (PTC) heaters for the regeneration airflow. Once the heaters reach their optimal temperature, they become self-regulating, preventing overheating and damage to the unit.
Separate process and reactivation air pushing fans	Provides increased flexibility allowing process and regeneration air to be drawn from different sources.
EC fans for process and reactivation air	Allows electronic fan speed adjustment coupled with higher external static pressure operating allowing ducted systems.
PLC control with touchscreen	User-friendly design to control, operate and manage the unit.
Service-friendly design	Offers side panel access to all the components of the unit.
Certificate of Compliance	All units are fully UL approved.

Dimensional Drawing



Depending on the customer's requirements, the following options are available:

- Pre-cooling and/or post-cooling modules (on request)
- Modbus TCP/IP board for PLC
- Modbus RTU RS485 board for PLC
- Wet air thermostat
- Stainless Steel (on request)

Technical Specifications

		DA 300N	DA 400N	DA 600N	DA 800N	DA 1400N	DA 2000N	DA 2400N
Drying capacity at 68°F – 60%rh	lb/hr	7.3	11.2	15.6	22.0	29.7	31.9	44.1
Process airflow nominal	cfm	300	400	600	800	1400	2000	2400
Reactivation airflow nominal	cfm	88	129	208	235	294	323	500
Static pressure process air side	in. H ₂ O	1.2	0.8	1.2	0.8	1.2	1.2	0.8
Static pressure reactivation air side	in. H ₂ O	1.2	1.0	0.8	1.2	1	0.8	0.8
Temperature operating range (non-condensing)	°F	-30 to +104						
Humidity operating range	%RH	0 to 100						
Power Supply (208/3 option)	V/Ph/Hz	208/3/60						
Power consumption	kW	5.8	8.8	11.9	14.8	21.6	22.1	-
Electric power of regeneration heater	kW	4	7	10.2	13	17	18	-
Rated current for 208/3/60 models	A	16	24.5	33.1	41	60	61.5	-
External fuse for 208/3/60 models	A	25	35	45	60	80	80	-
Power supply (480/3 option)	V/Ph/Hz	480/3/60						
Power consumption	kW	7.9	9.6	12.9	15.6	20	23.4	31.4
Electric power of regeneration heater	kW	4	7	10.2	13	17	18	23
Rated current for 480/3/60 models	A	9.5	11.5	15.5	18.8	24.2	28.2	37.8
External fuse for 480/3/60 models	A	15	15	20	25	35	40	50
Connection diameter process air	in.	15.75						
Connection diameter dry air	in.	12.40						
Connection diameter reactivation air	in.	7.9						
Connection diameter wet air	in.	7.9						
Filter class process air		MERV 7						
Filter class reactivation air		MERV 7						
Dimension (HxWxD)	in.	38.5 x 50.6 x 39						
Sound Pressure level ¹⁾	Db(A)	62	62	62	63	68	69	69
Weight	lb	408	419	419	430	441	441	452

1) Maximum sound pressure level at 3.3 ft. distance, with 10 ft. applied ducting

The content corresponds to the state at the time of printing.
If you have any questions regarding the documentation, please contact Condair representative.

CONSULTING, SALES AND SERVICE:



USA 1021 6th Street, Racine, WI 53403
Canada 2740 Fenton Road, Ottawa, Ontario K1T 3T7
Tel 1.866.667.8321 **Fax** 613.822.7964
Email na.info@condair.com **Website** www.condair.com

