

QUICK STARTING GUIDE GUIDE RAPIDE

Reverse Osmosis System
Condair RO-H

Contents

English	3
Français	14
Spare parts and Consumables	26
Declaration of conformity	27

1 Introduction

1.1 First things first

Thank you for choosing the **Condair RO-H Reverse Osmosis System**.

The Condair RO-H Reverse Osmosis System incorporates the latest technical advances and meets all recognized safety standards. Nevertheless, improper use of the Condair RO-H Reverse Osmosis System may result in danger to the user or third parties and/or damage to property.

To ensure a safe, proper, and economical operation of the Condair RO-H Reverse Osmosis System, please observe and comply with all information and safety instructions contained in the present documentation as well as in the separate documentations of the components used together with the Condair RO-H Reverse Osmosis System.

If you have questions after reading this documentation, please contact your Condair representative. They will be glad to assist you.

1.2 About this quick starting guide

The subject of this manual is the Condair RO-H Reverse Osmosis System.

This manual has been written to ensure the safe use, performance and longevity of the equipment, and is intended for use by engineers and properly trained technical personnel. Please read this manual thoroughly before specifying, designing or installing an RO System from Condair Ltd. Keep for future reference.

As our policy is one of continuous research and development, we reserve the right to amend, without notice, the specifications provided in this document. Condair Ltd. does not guarantee nor accept liability for the accuracy of information in this document.

1.3 Scope of delivery

RO-HM:

- RO-H base
- Pressure tank 6 gal including mounting kit
- Installation kit RO
- Sediment filter 5 µm
- Granular Active Carbon Filter
- RO Membrane 400 gal
- Wrenches (3x)

RO-HB:

- RO-H base
- Flowthrough tank 4.5 gal including fittings
- Installation kit RO
- Sediment filter 5 µm
- Granular Active Carbon Filter
- RO Membrane 400 gal
- Wrenches (3x)
- Housing cover

2 For your safety

2.1 Intended use and not intended use

The Condair RO-H Reverse Osmosis System is intended to be used exclusively for pure water production within the operating conditions as specified in the Installation, Operation and Service Manual, chapter 5.3 and must not be installed/used in explosion hazard areas. Any other use without the written consent of Condair is considered as not conforming with the intended purpose and may lead to the Condair RO-H Reverse Osmosis System becoming dangerous and will void any warranty.

Operation of the equipment in the intended manner requires that all the information contained in this manual are observed (in particular the safety and hygiene instructions).

Not intended use

The pure water (RO water) is not drinking water and must not be connected to any drinking water outlet.

2.2 Hygiene

Please observe the local health and safety executive's technical guidance on the control of Legionellosis in water systems.

The user is responsible for ensuring that the water system complies with local regulations, bylaws and guidelines (such as the HSE ACoP L8, VDI 6022, ISO 22000, HACCP or equivalent). If inadequately maintained, the RO System, can support the growth of microorganisms, including the bacterium that causes Legionnaires' disease.

The RO-H is produced according to best hygiene standards, which means that we have considered all aspects of this equipment to reduce the risk of Legionnaires' disease and other similar conditions. However, the user is responsible for ensuring that the installation, operation and maintenance work on the equipment is performed in a manner, ensuring that the system stays clean!

2.2.1 Guidelines to ensure your system stays clean and prevent the growth of Legionella

- Carry out a risk assessment of the water system using a competent person and implement an appropriate monitoring and control program.
- Initiate procedures for checking the system, cleaning tanks, changing filters, disinfection etc.
- The RO-H must be connected to a clean, potable mains water supply.
- Enter into a service contract that suits you or your company.
- Stop the system if polluted drinking water is found in your area.
- Avoid water temperatures above 77 °F that favor the growth of Legionella. If the water temperature surpasses 86 °F, the RO-H cannot be used in connection with a Condair MN.
- Do not stop the system unless it is faulty or leaking (avoid water stagnation).
- Disinfect the Condair RO-H System at least once a year and after every maintenance or repair. Always carry out a complete system disinfection inclusive humidifier if it has been turned off for more than 48 hours.
- Have water samples taken and tested for harmful bacteria at least once a year.
- Conduct follow-up measurements until the system is clean if bacteria have been detected in the system.

The Condair service team can help. Condair has expert technicians who can provide:

- Bacteriological troubleshooting on site
- Cleaning and disinfecting
- Preventive maintenance
- Repair and fault finding
- Training and guidance

2.3 Ensure safe operation

If it is suspected that safe operation has been compromised, the RO-H should immediately be shut down and secured against accidental power-up.

Shut down the RO-H if:

- Components are damaged, worn or very soiled.
- The RO-H does not work correctly.
- Joints, pipes or hoses are leaking.

No modifications must be made on the RO-H without the manufacturer's consent. All persons working with the RO-H must report any alterations made to the RO-H to the owner immediately. Use only original accessories and spare parts available from your Condair representative.

2.4 Qualification of personnel

All installation work must be performed only by persons who are familiar with the Condair RO-H System and sufficiently qualified for such work. All work on electric installations must only be performed by adequately qualified electricians.

Further details of qualification of personnel, safety considerations and warranty can be found in the complete Installation, Operation and Service Manual.

2.5 Important note regarding warranty

RO-H parts are covered by a two-year warranty from the invoice date with the exception of the replacement parts listed in the routine maintenance section. Failure to observe the manufacturer's installation and maintenance recommendations and instructions will invalidate the warranty. Condair Ltd. cannot be made liable for damage or injury attributable to failure to observe the manufacturer's installation and maintenance recommendations and instructions.

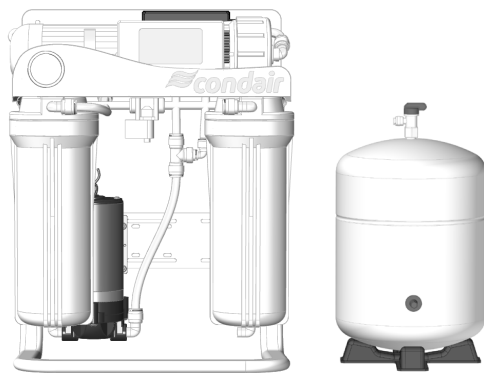
3 Product overview

3.1 Condair RO-H description

Reverse osmosis system (from now on called RO) with reservoir tank for removal (>95 %) of salts and minerals in tap water.

The systems are designed by Condair Ltd. with focus on reliable and hygienically correct solutions. The system uses a membrane separation process in which water molecules can pass through the membrane, while the majority of salts and minerals are retained and thereafter flushed out to drain.

From the inlet, the water passes through a two steps of filtering before reaching the RO membrane. First step is an activated carbon filter to remove any residual free Chlorine in the inlet water. Second filter step is a sediment filter to remove particles above a size of 5 μm .



3.2 Inlet water quality requirements

The quality of the water being used in the Condair RO-H System should be checked prior to system commissioning. The RO-H system must be connected to a clean, potable drinking water quality mains. If the inlet water does not meet the quality specified in the preconditions table in [chapter 3.3](#), it may be necessary to install additional water treatment.

3.3 Installation considerations

Do not install the RO-H in a room that often surpasses an air temperature of 77 °F. Also keep installation away from heat producing applications, such as boiler, central heating etc.

Observe the following restrictions concerning length of piping:

- Junction from tap water line to RO inlet: max. 6.5 ft
- RO to tank: max. 6.5 ft
- Tank to product inlet: max. 9.8 ft
- RO to drain siphon: max. 16.3 ft

Preconditions for Condair RO-H water treatment:			
Water supply:	Tap water / drinking water quality, no pathogens allowed		
Incoming dynamic pressure at max. flow	8–50 psi ^{*1)}		
Min. flow requirement at min. dynamic pressure of inlet water connection	52.8 gal/h		
*2) Water temperature (**)	41–77 °F ^{*3)}		
	pH in incoming water		
	pH 6.5–7.0	pH 7.1–7.5	pH 7.6–8.0
*2) Max. US hardness	31 gpg	18 gpg	10 gpg
*2) Max. conductivity incoming @ pH:	1300 µS/cm	750 µS/cm	600 µS/cm
*2) Max. TDS incoming @ pH:	210 ppm/gal	130 ppm/gal	100 ppm/gal
<p>*1) If the pressure exceeds 50 psi, it is mandatory to install a pressure reducer upstream of the RO-H in the supply line, which is set to 50 psi max. pressure. A suitable pressure reducer is available from Condair (2600230).</p> <p>*2) If any of these values are higher, a water softener should be installed in front of the RO-H.</p> <p>** When used with Condair MN max. 68 °F</p> <p>*3) The RO-H may only be connected to a cold water line.</p>			

4 Installation Condair RO-H

4.1 Important notes on installation

WARNING!

Do not retighten/unscrew hoses while the system is pressurized!

CAUTION!

Do not use oil, grease, glue, silicon, O-ring lubrication, etc. when assembling pipes or hose connections. All of the above products can act as food for bacteria and are thus pose health risks. Only approved lubricant: Liquid dish soap.

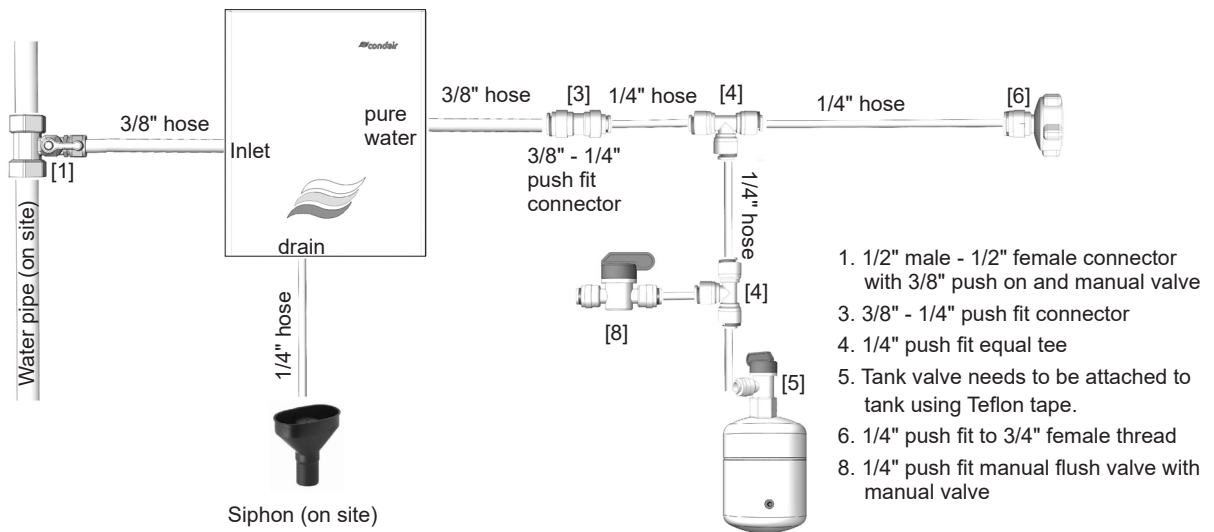
Wash your hands before or wear clean gloves while assembling parts in direct contact with water. Keep dust covers on pipes and hoses until just before assembly.

CAUTION!

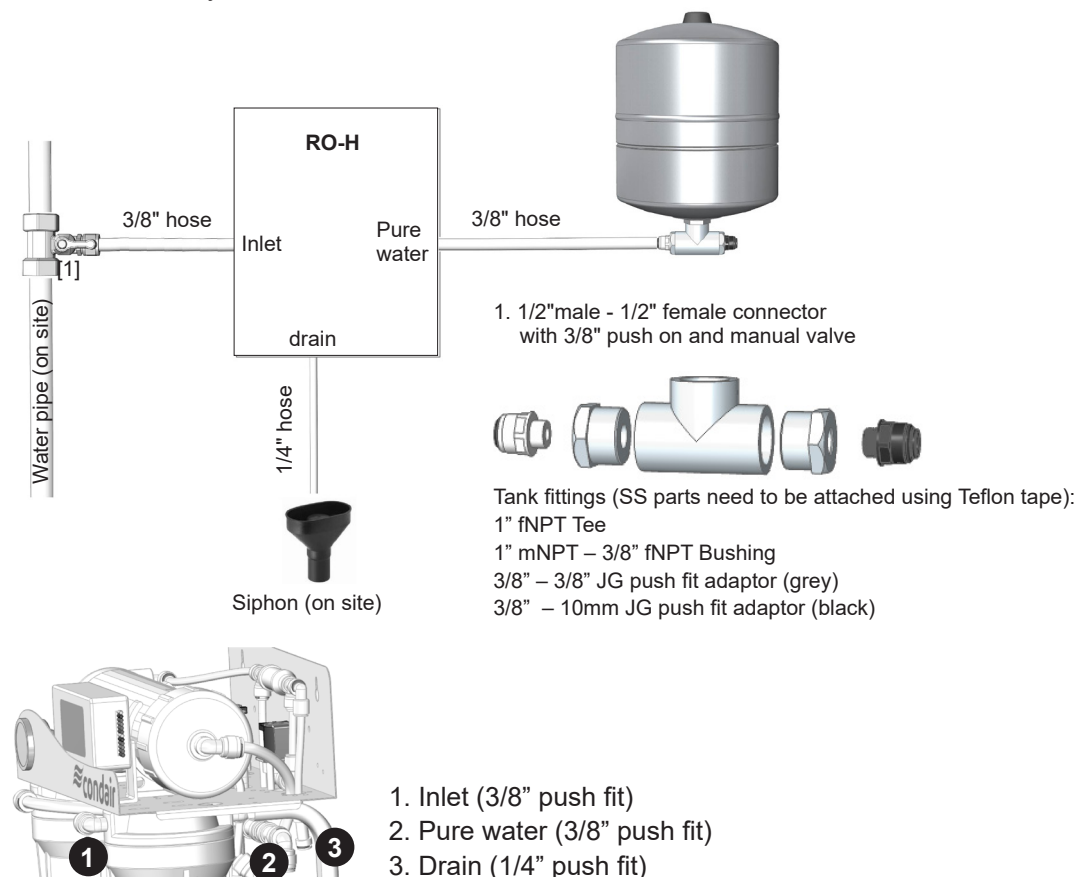
Do not fasten the pump station or hoses/pipes to vibrating installations.

4.1.1 Water piping and connections

The following flow diagram shows the needed fittings and their placement for RO-HM. Please follow the information strictly.



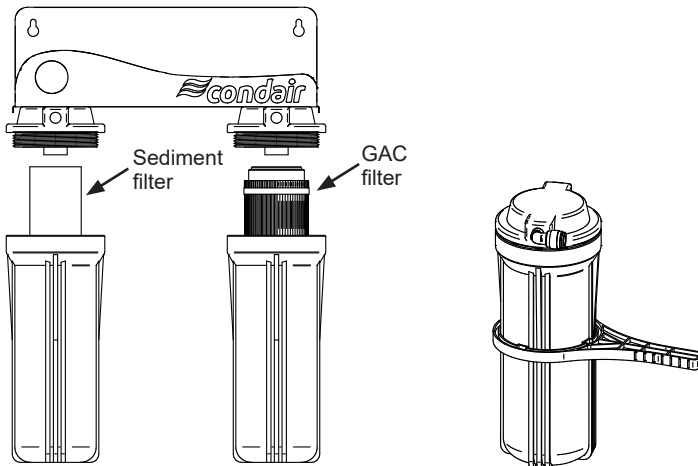
The following flow diagram shows the needed fittings and their placement for RO-HB. Please follow the information strictly.



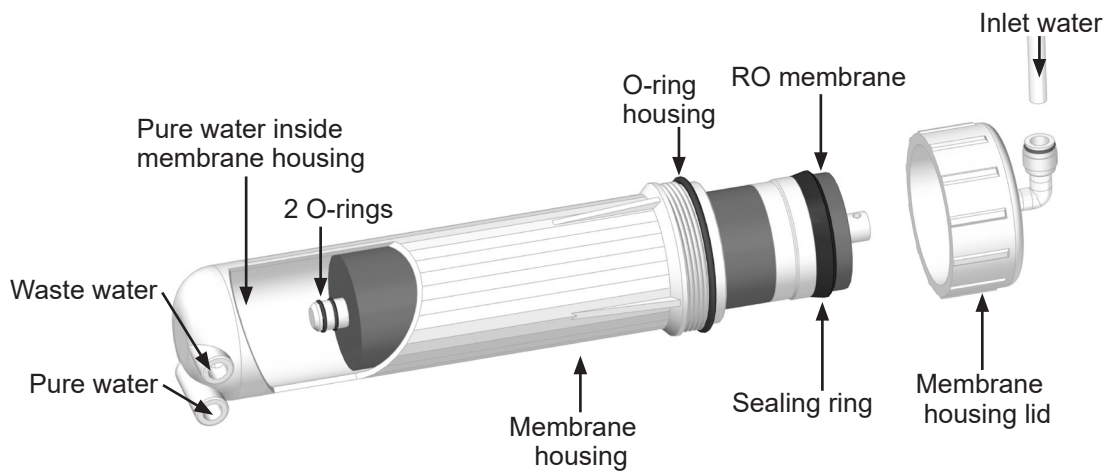
4.2 Installation of filters and RO membrane

CAUTION!

The first time a new RO membrane is to be used, it is important to flush out any preservation fluids so that they do not end up in the system.



GAC filter = Granular Active Carbon filter



5 Maintenance

For regular maintenance please consult the full Installation, Operation and Service Manual.

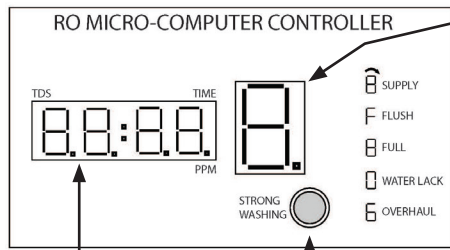
5.1 Maintenance work

To ensure safe, hygienic and economic operation of the RO-H, vital components must be checked and maintained periodically according to the table below. The maintenance intervals and maintenance work stated below are guideline values. Local conditions, quality of the water etc. could influence the maintenance intervals. The relevant personnel is responsible for any maintenance work not carried out.

Service, to be carried out	Service interval [months]
Control weekly monitoring checklist	12
Check the condition of the pump (pressure & noise) pressure should be min. 60 psi above inlet water pressure – if pressure is unstable – replace filters and test again.	12
Functional testing of pressure switch. Close inlet water and check that system stops – Close pressure tank valve and check that RO system stops. “8” should be shown in display.	12
Leak testing (check for leaks).	6
Disinfection / cleaning of tank	12
Control units	
Test display for errors (visual inspection)	6
Hygiene	
Disinfection/cleaning of the system	12

5.1.1 Controller menu

The computer box controls the working status, to ensure the machine work normally, and the RO membrane is in good working condition.



Quality flush
countdown
+ TDS display

Manual quality flush

Function display:

- F: Flushing
- Running 8: Water production
- Lit 8: Tank full, not water need
- Lit 0: No water, too low incoming pressure
- Lit 6: Service needed

Letter state	Display instructions
8 (dynamic rotation) means water production	When the high-pressure switch detects that the water pressure in the tank is lower than the set value, the water purifier enters the water production process.
F means flushing	Flushing of RO either at startup or when the "strong washing" button has been pressed. If there has not been any pure water production within 12 h, the function is triggered automatically.
8 (static display) means the water tank is full and there is no water demand	When the high-pressure switch detects that the water pressure in the tank reaches the set value, the RO will stop production.
0 means lack of water	When the low-pressure switch detects that the inlet water pressure is lower than 8 psi, the water purifier will stop working and the buzzer sounds.
6 means maintenance	The buzzer sounds. A service (filter, RO membrane change) is necessary. Please contact Condair Service.

6 Troubleshooting

Fault indication	Cause of the problem	Indication	Resolution
RO not starting	Power off	Lights off on RO Detected by humidifier – low water pressure	Plug power. Check power supply.
	No water	Status of RO = “0” Detected by humidifier – low water pressure	Check inlet valve.
	Too low water pressure		Check raw water pressure.
	High/low pressure switch damaged		Switch needs replacement. Call Condair support.
No pure water production / no visible drain water	Inlet valve failed to open or clogged	No drain/pure water on RO. Detected by humidifier – low water pressure	Inlet valve needs replacement. Call Condair support.
	Check valve blocked.	No pure water, only drain water on RO. Detected by humidifier – low water pressure	Check valve needs replacement. Call Condair support.
	Check valve defect.		
	RO membrane clogged or scaled	Very little pure water on RO. Detected by humidifier – low water pressure	Replace RO membrane, check incoming water quality and drain valve.
RO starts over repeatedly	Flow-through / pressure tank defect	Detected during optical inspection of RO. Detected by humidifier – low water pressure.	Replace tank.
	System loses pressure (possible leak)	Insufficient water production. Detected by humidifier – low water pressure.	Call Condair support. Locate leak and replace defect part(s).
	High pressure switch defect	Insufficient water production. Detected by humidifier – low water pressure.	Switch needs replacement. Call Condair support.
Permeate quality decreases	Membrane defect	TDS meter in RO display will indicate a value >30. Detected by humidifier – filter exhausted.	Replace membrane.
Permeate flow decreases (below 5.3 gal/h)	Membrane scaled or clogged	Detected by humidifier – low water pressure.	

7 Product Data

Technical parameters	Unit	Value
Voltage / frequency; protection	VAC / Hz	110–120 / 60 * ¹⁾
Power Rating	W	90
Incoming water quality		Tap water
Incoming conductivity	µS/cm	150–1000
Incoming TDS	ppm	95–700
Incoming pressure	psi	8–50 * ²⁾
max. permissible operating pressure	psi	116
Incoming water temperature	°F	41–77 * ³⁾
RO permeate capacity @ 5° C	gal/h	4.5
Salt rejection	%	95–98
Water efficiency	%	≈ 50/50
Output pressure	psi	43.5–87.0
Booster pump pressure (option)	psi	72.5
Prefilter 1		Act. Carbon
Prefilter 2	Micron	5
Low pressure switch trigger	psi	8
High pressure switch trigger	psi	32.0–43.5
Tank size	gal	4.5 gal 6 gal
Tank type		RO-HM: Standard pressure tank, steel RO-HB: Flow through, steel
Noise	dBA	<50
Outer dimensions RO (HxLxW)	inch	18.3 x 14.0 x 8.5
Weight	lbs	18.7
Outer dimensions hood (HxLxW)	inch	18.5 x 14.2 x 9.8
Outer dimensions tank 4.5 gal DxH	inch	11 x 14.5
Weight tank 4.5 gal	lbs	10.0
Outer dimensions tank 6 gal DxH	inch	11.0 x 16.7
Weight tank 6 gal	lbs	9.0
Weight hood	lbs	8.8

*¹⁾ The Condair RO-H is energized by 24 VDC from an UL listed class 2 power source. The system needs to be protected by a ground fault circuit interruptor ≥ 5 A.

*²⁾ If the pressure exceeds 50 psi, it is mandatory to install a pressure reducer upstream of the RO-H in the supply line, which is set to 50 psi max. pressure. A suitable pressure reducer is available from Condair (2600230).

*³⁾ The RO-H may only be connected to a cold water line.

1 Introduction

1.1 Avant de commencer

Nous vous remercions d'avoir choisi le **système d'osmose inverse Condair RO-H**.

Le système d'osmose inverse Condair RO-H est conforme à l'état actuel de la technique et aux règles techniques de sécurité. Toutefois, une utilisation non conforme de ces systèmes peut présenter des dangers pour l'utilisateur et/ou des tiers et/ou peut entraîner des dommages aux biens matériels.

Afin de garantir une utilisation sûre, conforme et rentable du système d'osmose inverse RO-H, vous devez observer et respecter l'ensemble des indications et consignes de sécurité de la présente documentation et des notices des composants utilisés avec le système d'osmose inverse RO-H.

Si, après avoir lu la présente documentation, il vous reste des questions, nous vous demandons de bien vouloir prendre contact avec votre partenaire Condair. Nous nous ferons un plaisir de vous assister.

1.2 À propos de cette notice de montage, d'utilisation et de maintenance

L'objet de cette notice d'utilisation est le système d'osmose inverse Condair RO-H.

Le présent manuel a été rédigé pour garantir une utilisation en toute sécurité, les performances et la durabilité de l'appareil. Il est destiné à être installé et mis en service par des ingénieurs et du personnel technique dûment qualifié. Veuillez lire attentivement ce manuel avant de concevoir, de construire ou d'installer un système OI de Condair Ltd. et conservez-le pour vous y reporter ultérieurement.

Notre stratégie étant axée sur la recherche et le développement en continu, nous nous réservons le droit de modifier sans préavis les spécifications contenues dans ce document. Condair Ltd. décline toute responsabilité quant à l'exactitude des informations contenues dans ce document.

1.3 Contenu de la livraison

RO-HM:

- Base RO-H
- Réservoir sous pression 6 gal avec kit de montage
- Kit de montage mural
- Filtre à sédiments 5 µm
- Filtre à charbon actif granulaire
- Membrane OI 400 gal
- Outil de serrage pour filtre (3x)

RO-HB:

- Base RO-H
- Réservoir de débit 4,5 gal avec kit de montage
- Kit de montage mural
- Filtre à sédiments 5 µm
- Filtre à charbon actif granulaire
- Membrane OI 400 gal
- Outil de serrage pour filtre (3x)
- Hotte

2 Pour votre sécurité

2.1 Utilisation conforme et non conforme à l'usage prévu

Le système d'osmose inverse Condair RO-H est conçu exclusivement pour la production d'eau pure dans les conditions d'exploitation spécifiées au chapitre 5.3 des instructions de montage, d'utilisation et de service et ne doit pas être installé/utilisé dans des zones à risque d'explosion. Toute autre utilisation sans l'accord écrit de Condair est considérée comme non conforme et peut rendre le système d'osmose inverse Condair RO-H dangereux et annuler toute garantie.

L'utilisation conforme de l'appareil présuppose le respect de toutes les informations contenues dans ce manuel (en particulier les consignes de sécurité et d'hygiène).

Utilisation non conforme à l'usage prévu

L'eau pure (eau RO) n'est pas de l'eau potable et ne doit pas être connectée à une sortie d'eau potable.

2.2 Hygiène

Veillez respecter les consignes techniques des autorités sanitaires et de sécurité locales relatives au contrôle des légionelles dans les systèmes d'eau.

Il incombe à l'utilisateur de s'assurer que le système hydraulique est conforme aux prescriptions, règlements et directives locaux (tels que HSE ACoP L8, VDI 6022, ISO 22000, HACCP ou équivalent). En cas de mauvaise maintenance, le système OI peut favoriser la prolifération de micro-organismes, y compris la bactérie responsable de la légionellose.

Le RO-H est fabriqué selon les meilleures normes d'hygiène, ce qui signifie que nous avons pris en compte tous les aspects de ce système afin de réduire le risque de légionellose et d'autres maladies similaires. Il incombe à l'utilisateur de veiller à ce que l'installation, le fonctionnement et la maintenance de l'équipement restent sains.

2.2.1 Guide pour garantir la propreté de votre système et empêcher la prolifération de légionelles

- Faites réaliser une évaluation des risques du système hydraulique par du personnel compétent et mettez en œuvre un programme de surveillance et de contrôle approprié.
- Lancez des procédures pour vérifier le système, nettoyer les réservoirs, remplacer les filtres, désinfecter, etc.
- Le RO-H doit être raccordé à une alimentation en eau potable.
- Souscrivez un contrat de service adapté à vos besoins ou à votre entreprise.
- Arrêtez le système en cas de détection d'eau souillée dans votre zone.
- Évitez les températures d'eau supérieures ou égales à 77° F qui favorisent la prolifération de légionelles. Le RO-H ne doit pas être utilisé avec l'humidificateur Condair MN si la température de l'eau est supérieure à 86° F.
- N'arrêtez pas le système, sauf s'il est défectueux ou non étanche (évitez la stagnation d'eau).
- Désinfectez le système Condair RO-H au moins une fois par an et après chaque maintenance ou réparation. Effectuez toujours une désinfection complète du système, y compris de l'humidificateur, si le système a été éteint pendant plus de 48 heures.

- Prélevez au moins une fois par an des échantillons d'eau et vérifiez l'absence de bactéries nocives.
- En cas de détection de bactéries dans le système, effectuez des contrôles jusqu'à ce que celui-ci soit propre.

L'équipe de service Condair peut vous venir en aide. Condair dispose de techniciens compétents qui peuvent vous aider dans les tâches suivantes :

- Dépannage bactériologique sur site
- Nettoyage et désinfection
- Maintenance préventive
- Réparation et dépannage
- La formation et l'accompagnement

2.3 Garantie d'un système sûr

Si vous pensez que le fonctionnement en toute sécurité est compromis, arrêtez immédiatement le RO-H et sécurisez-le contre toute remise sous tension accidentelle.

Arrêtez le RO-H lorsque :

- Les composants sont endommagés, usés ou fortement encrassés.
- le RO-H ne fonctionne pas correctement.
- il y a des fuites au niveau des raccords, des tuyaux ou des flexibles.

Aucune modification ne peut être apportée au RO-H sans l'accord du fabricant. Toutes les personnes travaillant avec le RO-H doivent immédiatement signaler au propriétaire toute modification du RO-H. N'utilisez que des accessoires et pièces de rechange d'origine disponibles auprès de votre représentant Condair.

2.4 Qualification du personnel

Tous les travaux d'installation doivent être effectués uniquement par des personnes familiarisées avec le système Condair RO-H et suffisamment qualifiées pour effectuer ces travaux. Tous les travaux sur les installations électriques doivent être effectués uniquement par des électriciens qualifiés.

Pour plus de détails sur la qualification du personnel, les conditions de sécurité et la garantie, veuillez vous référer aux instructions complètes d'installation, d'utilisation et de service.

2.5 Remarque importante sur la garantie

Le RO-H a une garantie de deux ans à compter de la date de facturation, à l'exception des pièces de rechange mentionnées dans la section relative à la maintenance de routine. Le non-respect des recommandations et instructions d'installation et de maintenance du fabricant annule la garantie. Condair Ltd. décline toute responsabilité en cas de dommages ou de blessures résultant du non-respect des recommandations et instructions d'installation et de maintenance du fabricant.

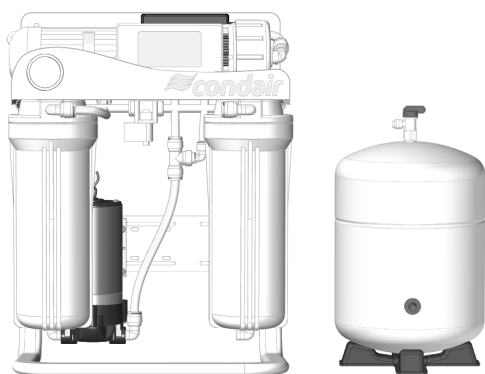
3 Aperçu du produit

3.1 Description du Condair RO-H

Système d'osmose inverse (appelé désormais OI) avec réservoir de stockage pour l'élimination des sels et minéraux contenus dans l'eau du robinet (> 95 %).

Les systèmes ont été conçus par Condair Ltd. en mettant l'accent sur des solutions fiables et hygiéniques. Le système utilise un procédé de séparation dans lequel les molécules d'eau peuvent traverser une membrane, tandis que la plupart des sels et minéraux sont retenus et évacués par le système l'évacuation.

À partir de l'admission, l'eau passe par un processus de filtration à deux étapes avant d'atteindre la membrane OI. Le premier niveau est un filtre à charbon actif permettant d'éliminer le chlore libre présent dans l'eau d'alimentation. Le deuxième niveau de filtration est un filtre à sédiments destiné à l'élimination de particules de taille supérieure à 5 µm.



3.2 Exigences en matière de qualité d'eau

La qualité de l'eau utilisée dans le système Condair RO-H doit être contrôlée avant la mise en service du système. Le système RO-H doit être raccordé à un réseau d'eau propre, potable. Si l'eau d'alimentation n'atteint pas la qualité indiquée dans le tableau des conditions [chapitre 3.3](#), il peut être nécessaire d'installer un dispositif supplémentaire de traitement d'eau.

3.3 Consignes relatives à l'installation hydraulique

N'installez pas le RO-H dans une pièce où la température de l'air est souvent supérieure à 77° F. Le système doit être éloigné des applications produisant de la chaleur, telles que les chauffe-eau, le chauffage central, etc.

Tenez compte des restrictions suivantes concernant la longueur des conduites :

- Jonction entre le conduit d'eau potable et l'entrée OI : max. 6,5 ft
- OI par rapport au réservoir : max. 6,5 ft
- Réservoir à l'entrée du produit : max. 9,8 ft
- OI vers le siphon d'évacuation : max. 16,3 ft

Conditions préalables au traitement de l'eau Condair RO-H :			
Alimentation en eau	Eau du robinet/eau potable, aucun agent pathogène autorisé		
Pression dynamique entrante à débit max.	8 à 50 psi ^{*1)}		
Min. Débit requis à la pression dynamique minimale du raccord d'entrée d'eau	52,8 gal/h		
*2) Température de l'eau (**)	41 à 77° F ^{*3)}		
	Valeur du pH dans l'eau d'alimentation		
	pH 6,5 à 7,0	pH 7,1 à 7,5	pH 7,6 à 8,0
*2) max. Dureté	31 gpg	18 gpg	10 gpg
*2) Conductivité entrante max. @ pH :	1 300 µS/cm	750 µS/cm	600 µS/cm
*2) max. Entrée TDS en pH :	210 ppm/gal	130 ppm/gal	100 ppm/gal
<p>*1) Si la pression dépasse 50 psi, un réducteur de pression réglé sur une pression maximale de 50 psi doit être installé en amont du RO-H dans la conduite d'alimentation. Un réducteur de pression adapté est disponible auprès de Condair (2600230).</p> <p>*2) Si l'une de ces valeurs est plus élevée, un adoucisseur d'eau doit être installé en amont du RO-H.</p> <p>** En cas d'utilisation avec Condair MN max. 68° F</p> <p>*3) Le RO-H ne peut être raccordé qu'à une conduite d'eau froide.</p>			

4 Installation du Condair RO-H

4.1 Remarques importantes concernant l'installation



ATTENTION !

Ne débranchez pas et retirez pas les tuyaux lorsque le système est sous pression !



PRUDENCE !

N'utilisez pas d'huile, de graisse, de colle, de silicone, de joint torique, etc. pour assembler les raccords des tuyaux ou des flexibles. Tous ces produits peuvent servir de terrain propice à la prolifération bactérienne et représentent donc un risque pour la santé.

Le seul lubrifiant agréé est : Le liquide à vaisselle.

Pour assembler les composants en contact direct avec l'eau, commencez toujours par vous laver les mains ou utilisez des gants propres à usage unique.

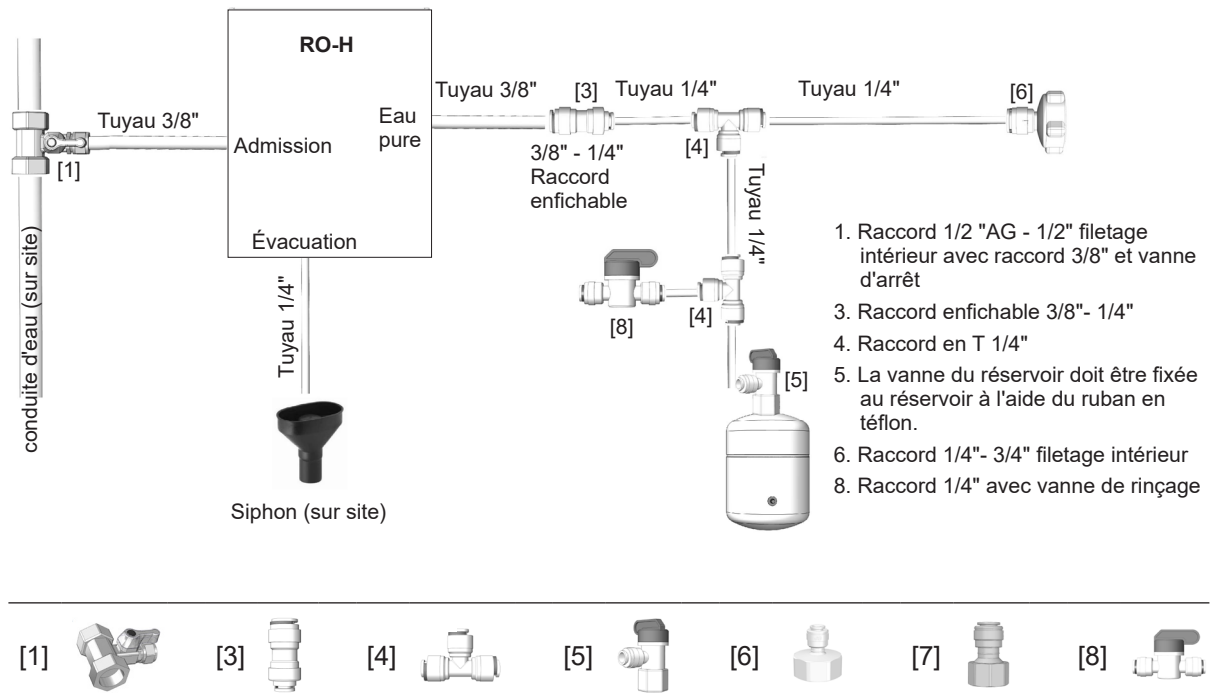


PRUDENCE !

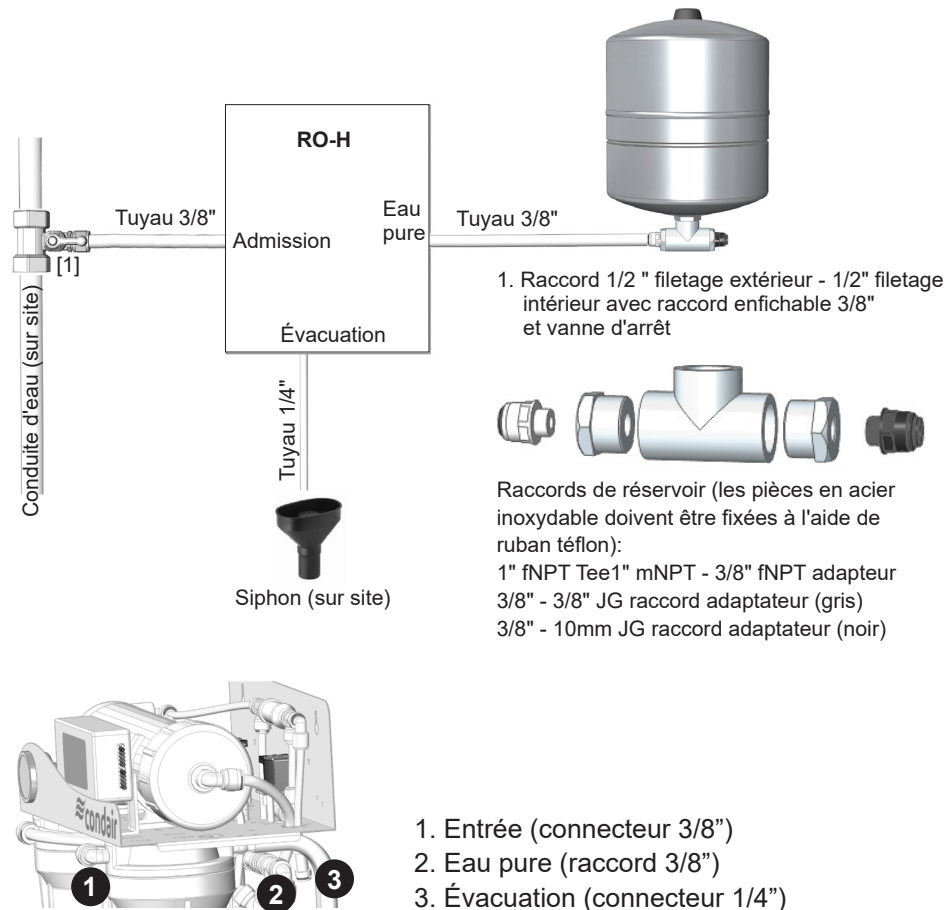
Ne fixez pas l'installation d'osmose inverse (installation OI) ni les flexibles/tuyaux sur des appareils vibrants.

4.1.1 Conduites d'eau et raccords

Le diagramme suivant montre les raccords nécessaires et leur disposition pour RO-HM. Suivez scrupuleusement les instructions.



Le diagramme suivant montre les raccords nécessaires et leur disposition pour RO-HB. Suivez scrupuleusement les instructions.

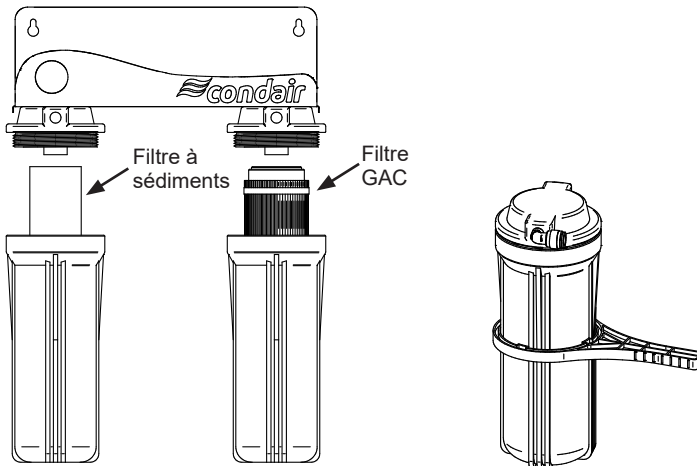


4.2 Installation des filtres et de la membrane OI

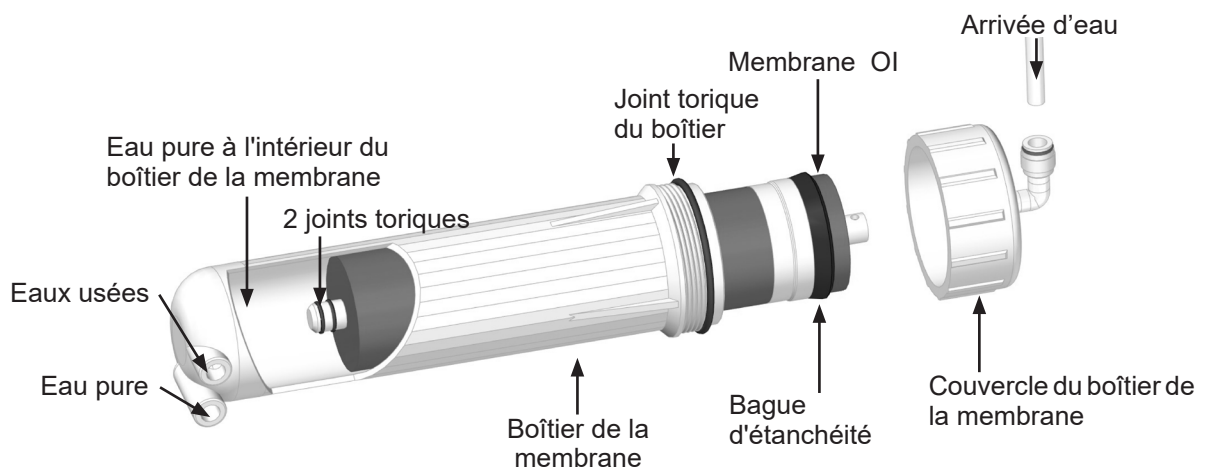


PRUDENCE !

Lors de la première utilisation d'une nouvelle membrane OI, il est important d'évacuer tous les liquides de conservation pour éviter qu'ils ne pénètrent dans le système.



Filtre GAC = Filtre à charbon actif granulaire



5 Maintenance

Pour la maintenance régulière, veuillez consulter le manuel complet d'installation, d'utilisation et de service.

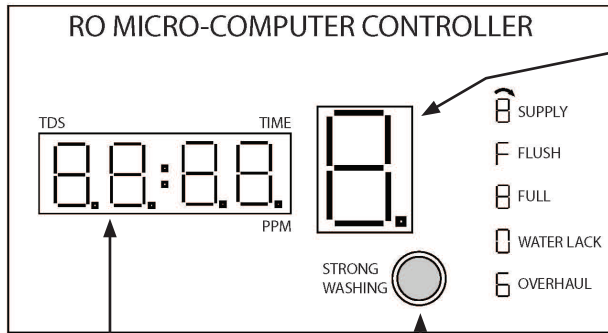
5.1 Travaux de maintenance

Pour garantir un fonctionnement sûr, hygiénique et économique du RO-H, les composants critiques doivent être régulièrement contrôlés et entretenus conformément au tableau ci-dessous. Les intervalles de maintenance et les travaux d'entretien ci-dessous sont donnés à titre indicatif. Les conditions locales, la qualité de l'eau, etc. peuvent influencer les intervalles de maintenance. La responsabilité des travaux d'entretien incombe au personnel compétent.

Service à effectuer	Intervalle de maintenance [mois]
Vérification de la liste de contrôle	12
Vérification de l'état de la pompe (pression et bruit) : La pression doit être supérieure d'au moins 60 psi à la pression d'eau à l'entrée ; si la pression est instable, remplacer le filtre et refaire le test.	12
Réglage du commutateur de pression : Arrêtez l'eau d'admission et assurez-vous que le système s'arrête - Fermez la vanne du réservoir sous pression et vérifiez si le système OI s'arrête. Le chiffre « 8 » devrait s'afficher à l'écran.	12
Contrôle d'étanchéité (Vérifiez les fuites).	6
Désinfection/nettoyage du réservoir	12
Unité de commande	
Test d'affichage d'erreurs (inspection visuelle)	6
Hygiène	
Désinfection/nettoyage du système	12

5.1.1 Menu du Controller

La commande contrôle l'installation pour s'assurer qu'elle fonctionne normalement et que la membrane RO fonctionne correctement.



Compte à rebours
Rinçage de qualité
+ Affichage TDS

Rinçage manuel de qualité

Affichage de fonction :

- F: Rinçage
- 8 en cours: Production d'eau
- 8: Réservoir plein, pas de besoin en eau
- 0: Pas d'eau, pression d'entrée trop basse
- 6: Entretien nécessaire

Signification des lettres	Instructions d'affichage
8 (en marche) signifie production d'eau	Si le pressostat haute pression détecte que la pression de l'eau dans le réservoir est inférieure à la valeur réglée, l'installation OI produit de l'eau pure.
F signifie rinçage	Rinçage de l'installation soit après le démarrage, soit après le déclenchement du rinçage manuel de qualité. Si aucune production d'eau n'a eu lieu dans les 12 heures, l'osmose inverse se rince automatiquement pendant 30 secondes.
8 (affichage statique) signifie que le réservoir d'eau est plein et qu'il n'y a pas de besoin en eau	Lorsque le pressostat haute pression détecte que la pression d'eau dans le réservoir atteint la valeur réglée, l'osmose inverse interrompt la production.
0 signifie manque d'eau	Si le pressostat basse pression détecte que la pression d'entrée de l'eau est inférieure à 8 psi, l'installation OI cesse de fonctionner et un signal sonore retentit.
6 signifie maintenance	Un signal sonore retentit. Une maintenance (filtre, remplacement de membrane) nécessaire. Veuillez contacter le service Condair.

6 Dépannage

Indication d'erreur	Cause du problème	Affichage	Solution
L'OI ne démarre pas	Éteint	Affichage de l'OI désactivé. Déteint par l'humidificateur – basse pression d'eau.	Raccorder l'alimentation électrique, vérifier l'alimentation électrique.
	Manque d'eau !	État de l'OI = « 0 » Déteint par l'humidificateur – basse pression d'eau.	Contrôler la vanne du conduit d'eau brute.
	Pression d'eau trop basse		Contrôler la pression d'eau brute.
	Pressostat haute/basse pression endommagé		L'interrupteur doit être remplacé. Contacter l'assistance Condair.
Pas de production d'eau pure / pas d'eaux usées visibles	La vanne d'admission n'est pas ouverte ni obstruée.	Pas d'évacuation/eau pure de l'osmose inverse. Déteint par l'humidificateur – basse pression d'eau.	La vanne d'admission doit être remplacée. Contacter l'assistance Condair.
	Clapet antiretour bloqué	Pas d'eau pure, uniquement l'eau de vidange de l'OI. Déteint par l'humidificateur – basse pression d'eau.	Le clapet anti-retour doit être remplacé. Contacter l'assistance Condair.
	Clapet anti-retour défectueux.		
	Membrane OI bouchée ou entartrée	Très peu d'eau pure de l'OI. Déteint par l'humidificateur – basse pression d'eau.	Remplacer la membrane OI, contrôler la qualité de l'eau d'alimentation et la vanne de vidange.
L'OI redémarre sans cesse	Défaillance du réservoir de débit/pression	Déteint lors de l'inspection visuelle de l'OI. Déteint par l'humidificateur – basse pression d'eau.	Remplacer le réservoir.
	Le système perd de la pression (fuite possible)	Production d'eau insuffisante. Déteint par l'humidificateur – basse pression d'eau.	Contacter l'assistance Condair. Localisez la fuite et remplacez les pièces défectueuses.
	Pressostat défectueux	Production d'eau insuffisante. Déteint par l'humidificateur – basse pression d'eau.	L'interrupteur doit être remplacé. Contacter l'assistance Condair.
La qualité du perméat diminue	Membrane défectueuse	Le compteur TDS affiché indique une valeur > 30. Déteint par l'humidificateur – Filtre épuisé.	Remplacer la membrane.
Le débit du perméat diminue (inférieur à 5,3 gal/h)	Membrane entartrée ou bouchée	Déteint par l'humidificateur – basse pression d'eau.	

7 Caractéristiques du produit

Paramètres techniques	Installation	Valeur
Tension / fréquence ; protection	VCA / Hz	110–120 / 60 * ¹⁾
Puissance	W	90
Qualité de l'eau entrante		Eau potable
Conductivité entrante (voir page 12)	µS/cm	150–1000
TDS entrants	ppm	95–700
Pression d'entrée (voir page 12)	psi	8–50 * ²⁾
pression de service max. admissible	psi	116
Température de l'eau à l'entrée	°F	41–77 * ³⁾
Capacité de perméat OI à 5 °C	gal/h	4,4
Séparation du sel	%	95–98
Rendement de l'eau	%	≈ 50/50
Pression de sortie en bar	psi	43,5–87,0
Pression de la pompe d'augmentation de pression (en option)	psi	72,5
Préfiltre 1	Charbon actif	
Préfiltre 2	Micron	5
Déclencheur pour pressostat basse pression	psi	8
Déclencheur pour pressostat haute pression	psi	32–43,5
Taille du réservoir	gal	4,5 gal 6 gal
Type de réservoir	RO-HM : Réservoir sous pression standard, acier RO-HB : Débit, acier	
Bruit	dBA	<50
Dimensions extérieures OI (HxLxI)	pouce	18,3 x 14,0 x 8,5
Poids	lbs	18,7
Dimensions extérieures de la hotte (HxLxI)	pouce	18,5 x 14,2 x 9,8
Dimensions extérieures du réservoir 4,5 gal P x H	pouce	11 x 14,5
Poids du réservoir 4,5 gal	lbs	10,0
Dimensions extérieures du réservoir 6 gal D x H	pouce	11,0 x 16,7
Poids du réservoir 6 gal	lbs	9,0
Poids de la hotte	lbs	8,8

*¹⁾ Le Condair RO-H est alimenté en 24 VDC par une source d'énergie de classe 2 homologuée UL. Le système doit être protégé par un disjoncteur de fuite à la terre ≥ 5 A.

*²⁾ Si la pression dépasse 50 psi, un réducteur de pression réglé sur une pression maximale de 50 psi doit être installé en amont du RO-H dans la conduite d'alimentation. Un réducteur de pression adapté est disponible auprès de Condair (2600230).

*³⁾ Le RO-H ne peut être raccordé qu'à une conduite d'eau froide.

8 Spare parts and Consumables

8.1 Spare parts

SAP No.	Description
2600097	Low/high pressure switch, set
2600098	Inlet/drain valve, set
2599775	Pressure tank 18.0 l
2600525	Flow through tank 4.5 gal FT
2599948	Tank wall mounting bracket RO-HM 260-280/12
2599792	RO-H cover
2600096	RO-H reverse osmosis replacement set
2599774	Booster pump 5 bar, 3/8" female
2501660	RO-H hydraulic installation set

8.2 Consumables

SAP No.	Description
2599771	RO-H RO membrane
2600099	RO-H carbon/sediment filter set
2600112	RO-H Disinfection fittings set
155405000	Desinfection, Sanosil S010 Ag, 1 l

9 Declaration of conformity



EC

Konformitätserklärung

Declaration of conformity

Déclaration de conformité

Wir,
Condair Group AG
CH-8808 Pfäffikon SZ
erklären in alleiniger Verantwortung,
dass das Produkt

We,
Condair Group AG
CH-8808 Pfäffikon SZ
declare under our sole responsibility, that
the product

Nous,
Condair Group AG
CH-8808 Pfäffikon SZ
déclarons sous notre seule
responsabilité, que le produit

Condair RO-H

auf das sich diese Erklärung bezieht,
mit den folgenden Normen oder
normativen Dokumenten
übereinstimmt

to which this declaration relates is in
conformity with the following standards or
other normative standards

auquel se réfère cette déclaration est
conforme aux normes ou autres
documents normatifs

EN 60335-1
EN 60335-2
EN 60335-3
EN 61000-3-2
EN 61000-3-3

und den Bestimmungen der folgenden
Richtlinien entspricht

and is corresponding to the following
provisions of directives

et est conforme aux dispositions des
directives suivantes

2014 / 35 / EU
2014 / 30 / EU

2599874 DE/EN/FR 2008

Pfäffikon, August, 2020

Condair Group AG

Robert Merki
Head of Engineering

Condair Group AG
Gwattstrasse 17
8808 Pfäffikon, Switzerland
Tel. +41 55 416 61 11, Fax +41 55 588 00 07
info@condair.com, www.condair-group.com

CONSULTING, SALES AND SERVICE:

CONSEIL, VENTE ET SERVICE APRÈS-VENTE :

For the download of the detailed Installation, Operation and Service Manuals please use the following QR codes.

Pour le téléchargement des notices de montage, d'utilisation et de maintenance détaillées, veuillez utiliser les codes QR suivants.

Manual in English



Manuel en français



U.S.A.
835 Commerce Park Drive
Ogdensburg, New York 13669
CANADA

2740 Fenton Road
Ottawa, Ontario K1T 3T7

TEL: 1.866.667.8321
FAX: 613.822.7964

EMAIL: na.info@condair.com
WEBSITE: www.condair.com

