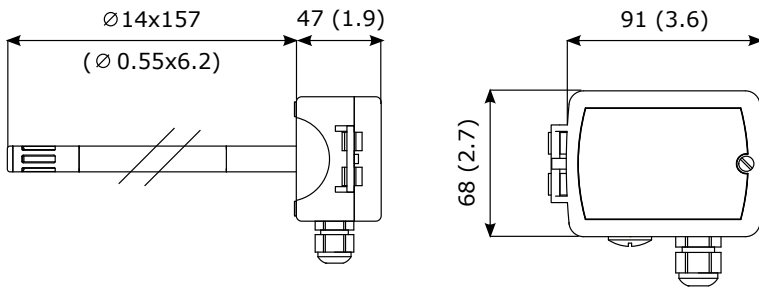
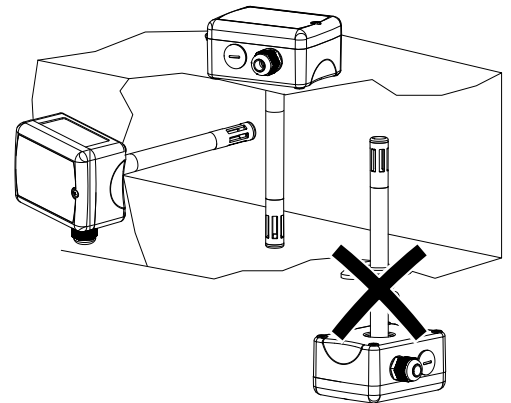


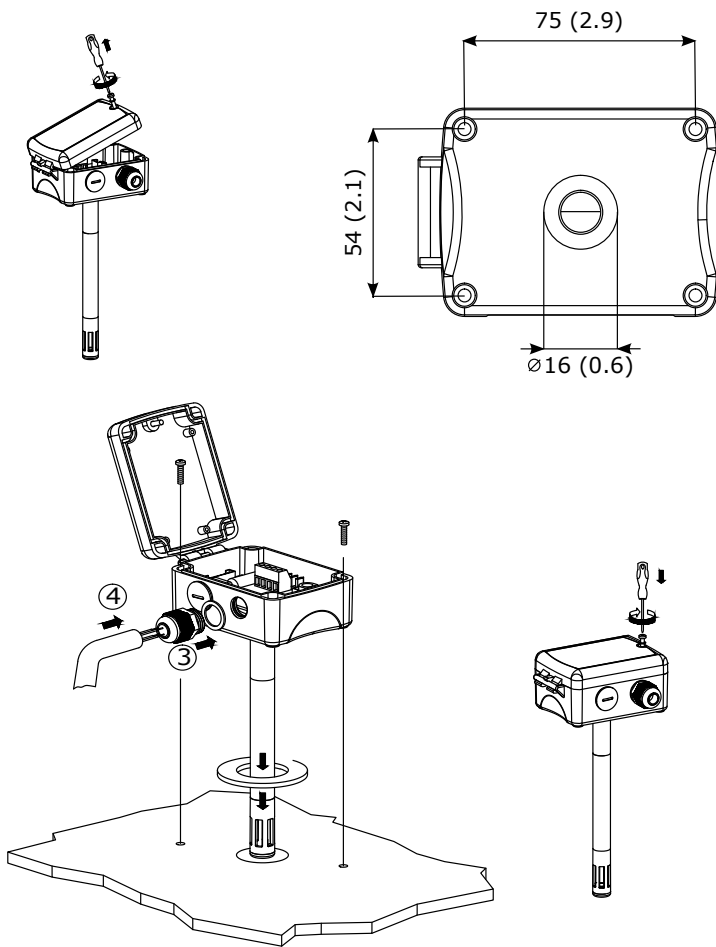
A mm (inch)



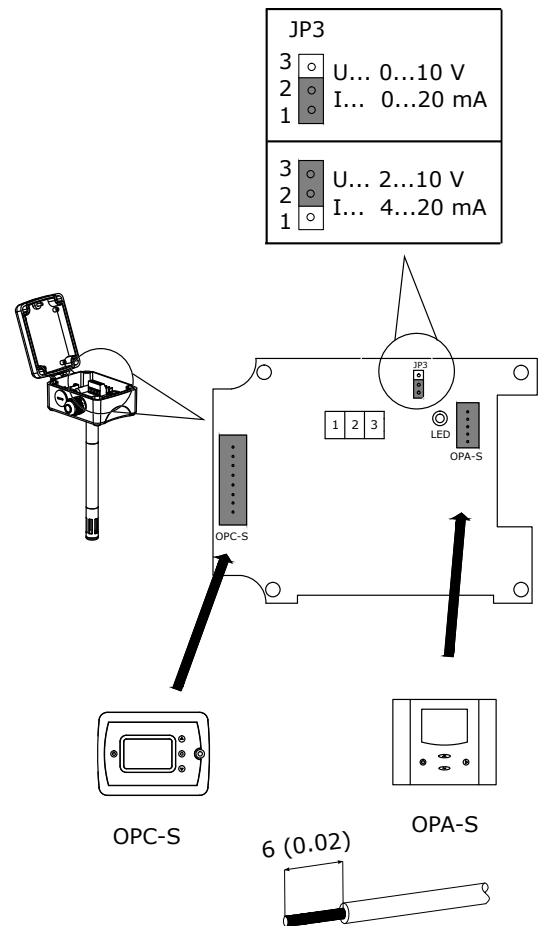
B



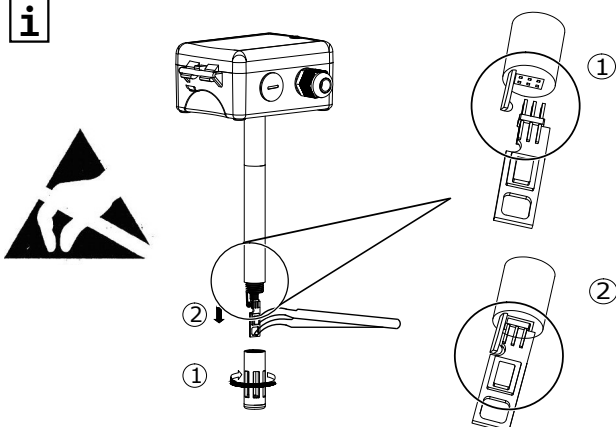
C



D



i



- 1: 0V GND
- 2: 24V AC 24 V 50-60 Hz, 24 VDC $\pm 10\%$
- 3: RH 0(2)...10VDC, 0(4)...20mA



For Wiring Schematic:
Get the Condair
Sensor Connect App

