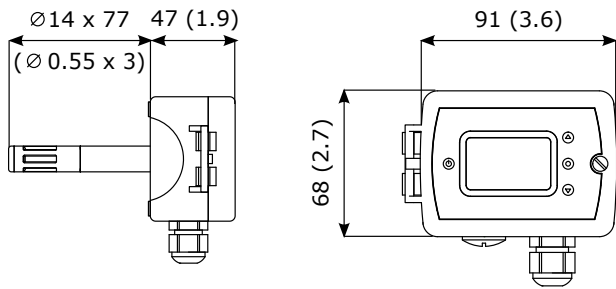
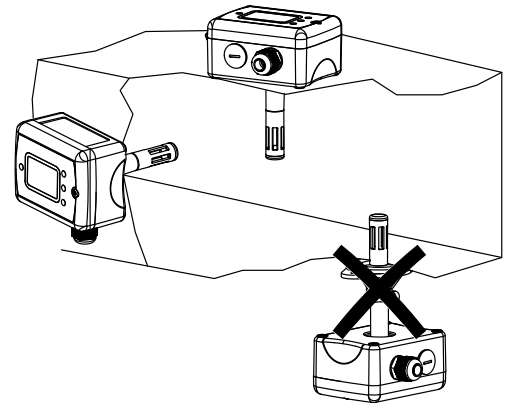


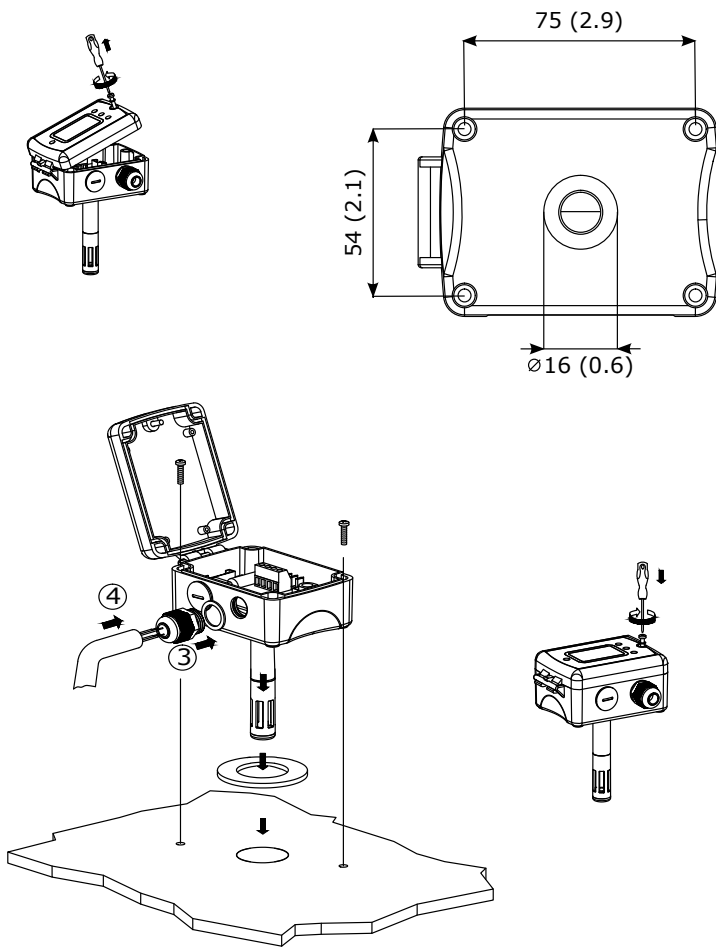
A mm (inch)



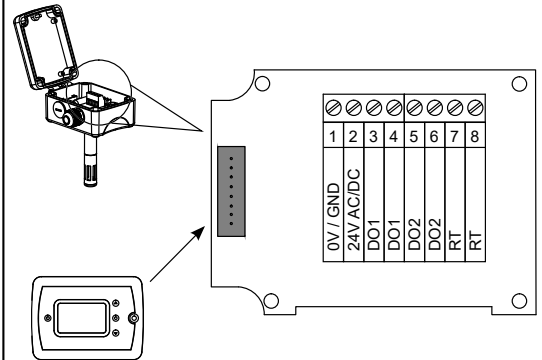
B



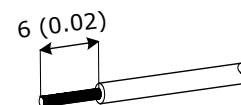
C



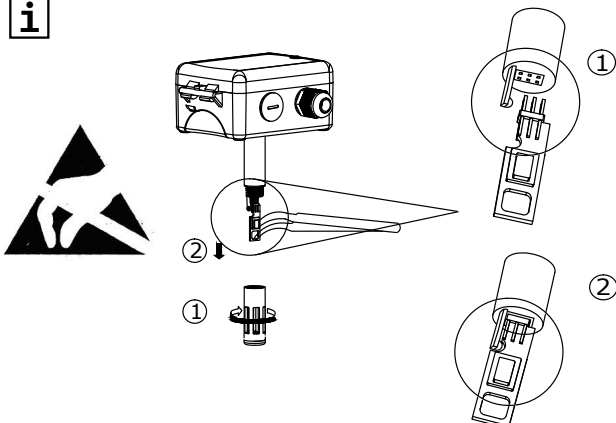
D



- 1: 0V / GND
- 2: 24 V AC/DC ±10%
- 3: DO1
- 4: DO1
- 5: DO2
- 6: DO2
- 7: RT
- 8: RT



i



For Wiring Schematic:
Get the Condair
Sensor Connect App

