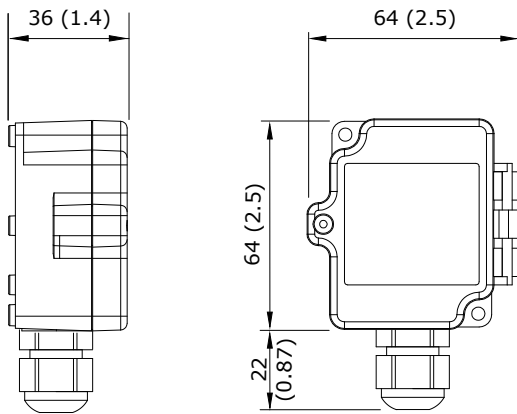
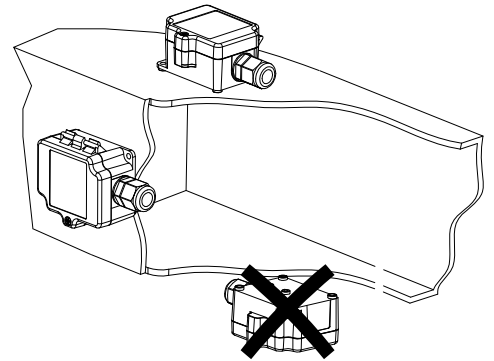


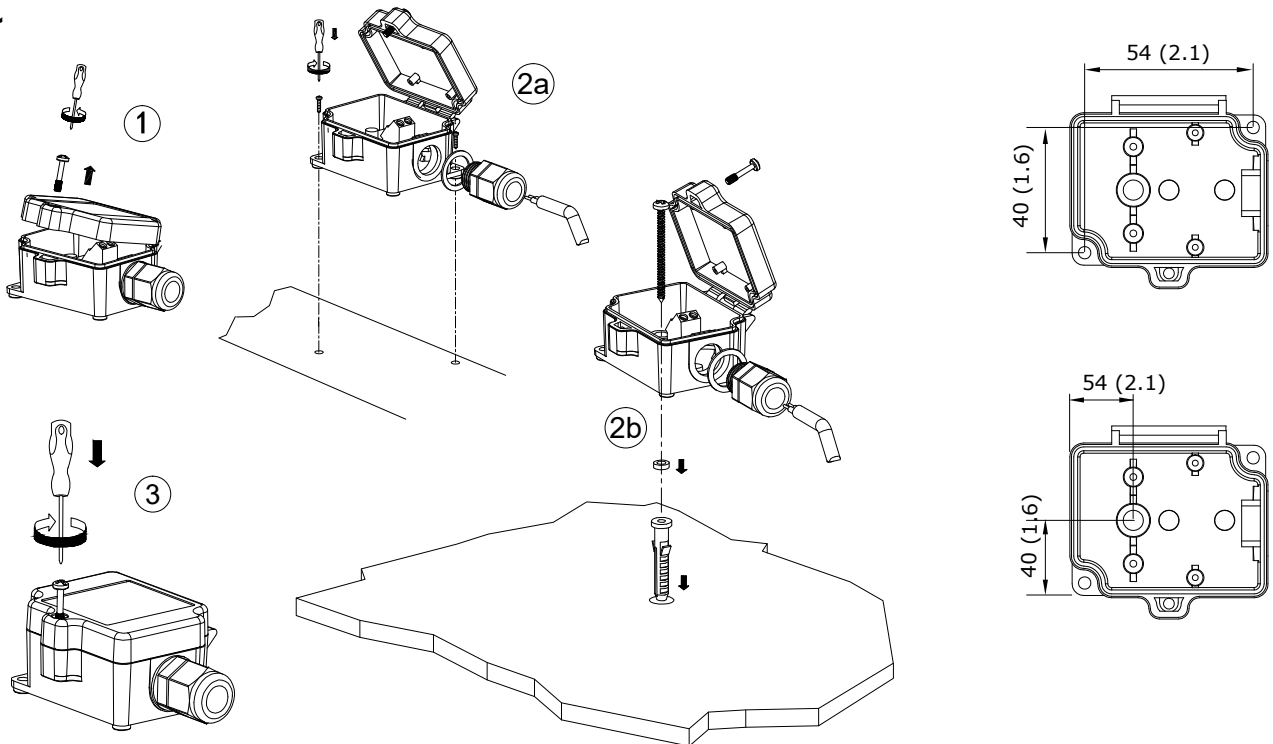
**A** mm (inch)



**B**

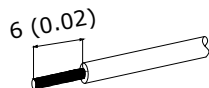
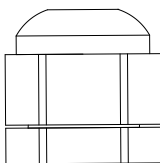


**C**



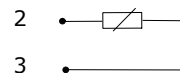
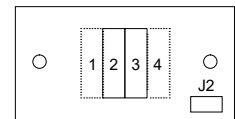
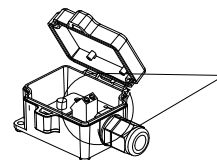
**i**

**AMC-1**



**D**

**SOD-Tn**



For Wiring Schematic:  
Get the Condair  
Sensor Connect App

