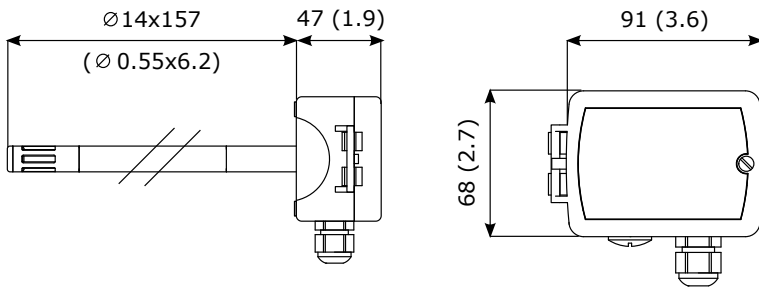
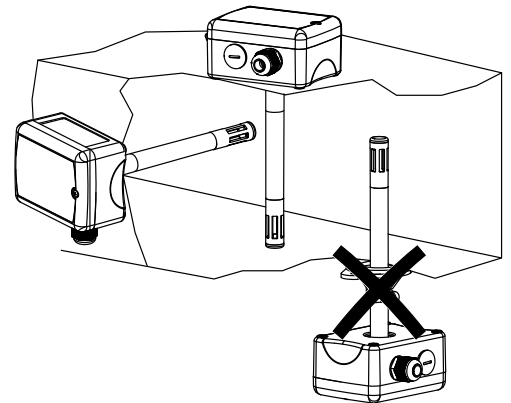


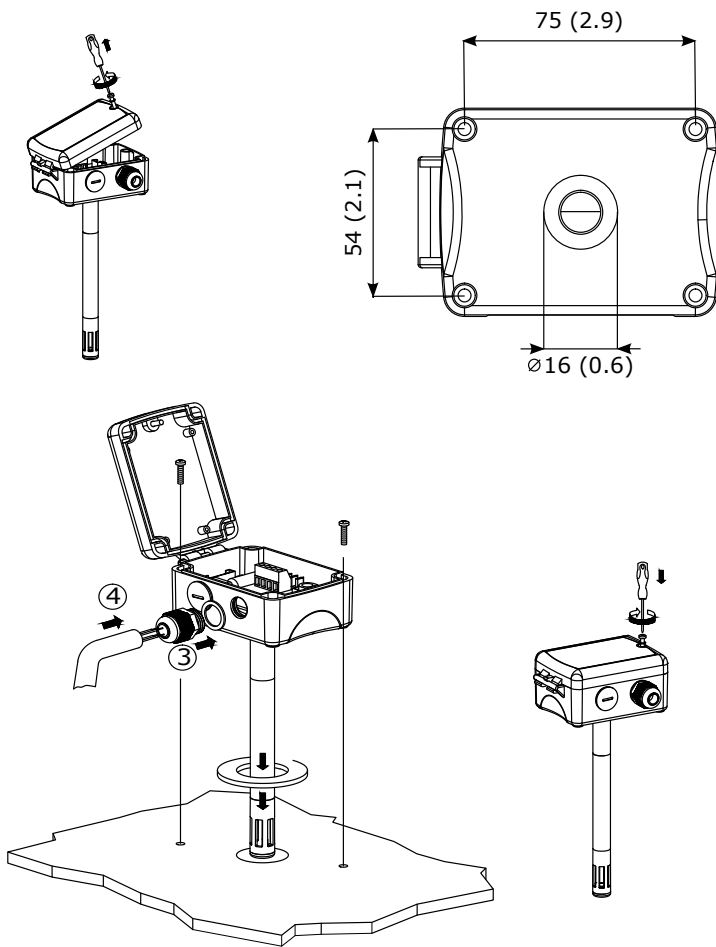
A mm (inch)



B

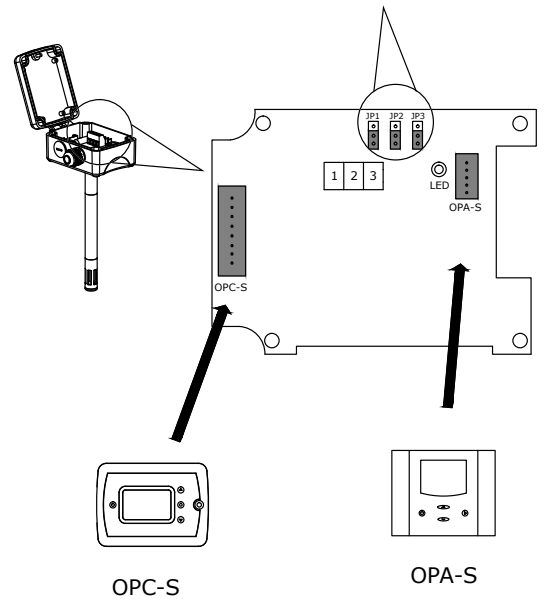


C

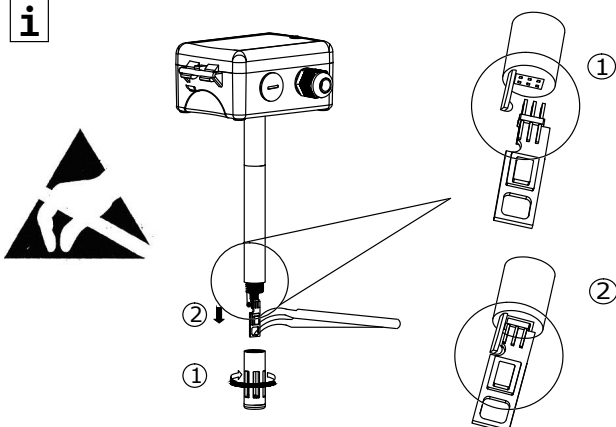


D

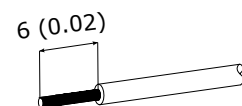
<p>JP1</p> <p>3 ○ U...</p> <p>2 ○ U...</p> <p>1 ○ I...</p>	<p>JP3</p> <p>3 ○ U... 0...10 V</p> <p>2 ○ I... 0...20 mA</p> <p>1 ○ I...</p>
<p>3 ○ I...</p> <p>2 ○ I...</p> <p>1 ○ U...</p>	<p>3 ○ U... 2...10 V</p> <p>2 ○ I... 4...20 mA</p> <p>1 ○ I...</p>

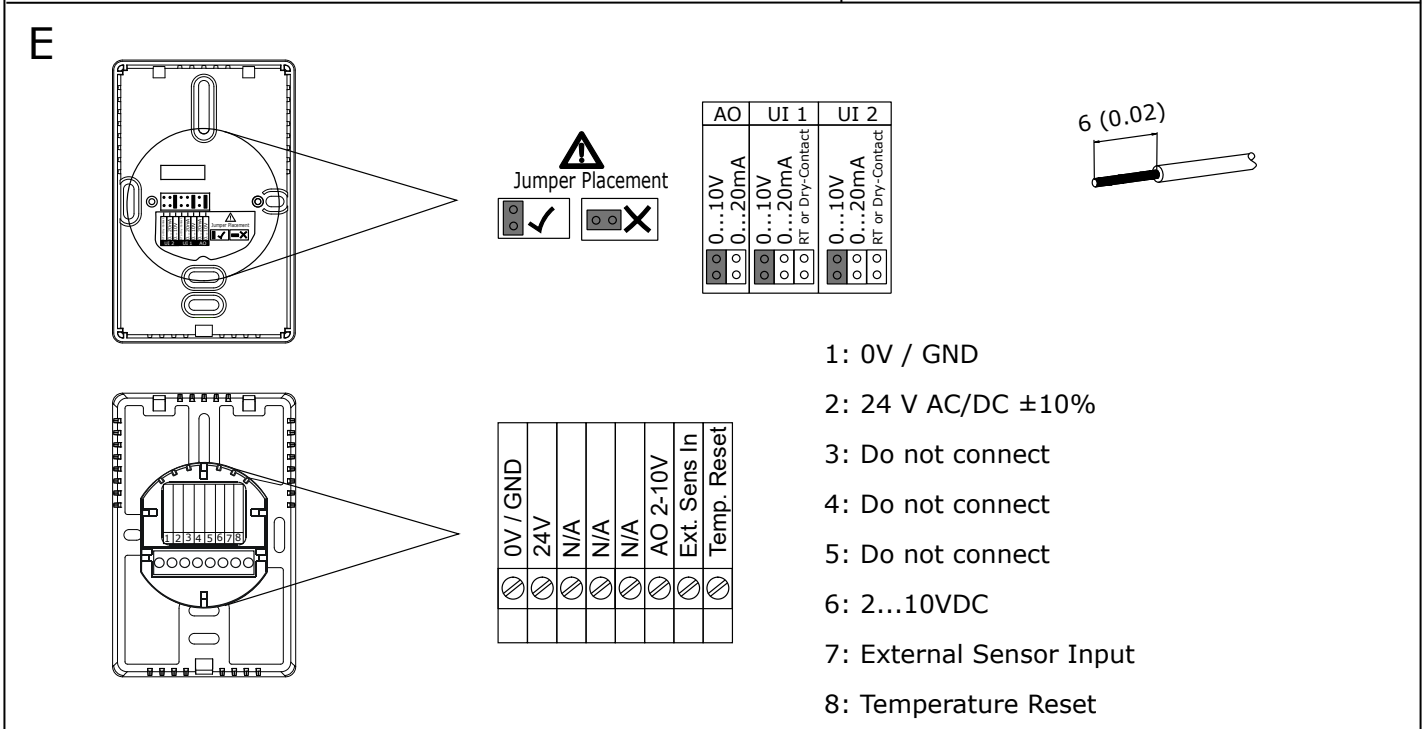
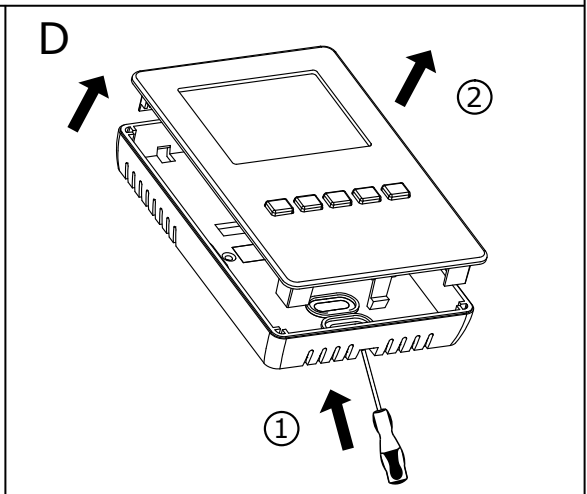
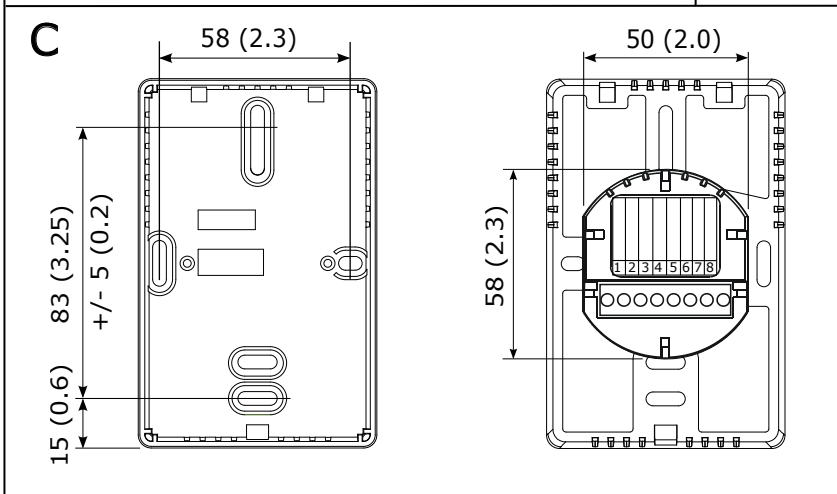
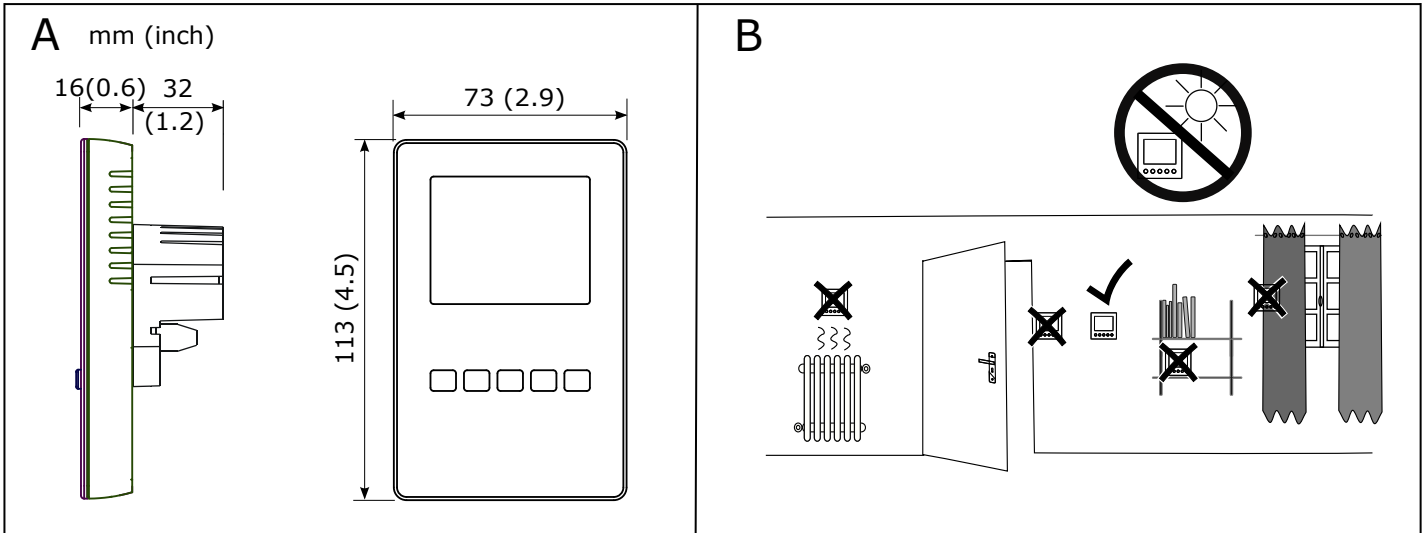


i



- 1: 24V AC 24 V 50-60 Hz, 24 VDC ±10%
- 2: 0V GND
- 3: RH 0(2)...10VDC, 0(4)...20mA





Download on the App Store

GET IT ON Google Play

For Wiring Schematic:
Get the Condair
Sensor Connect App