

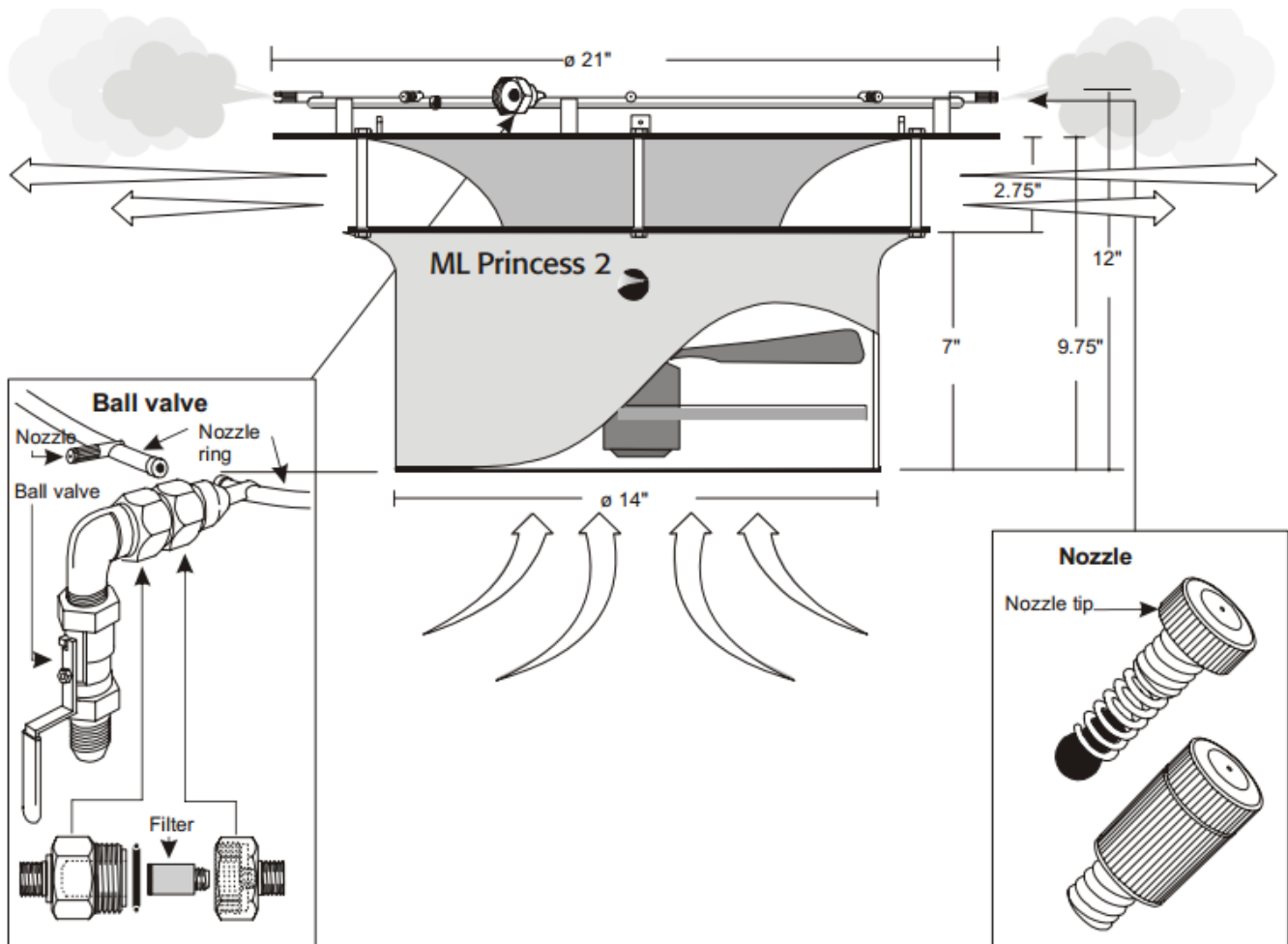
# ML Princess 2

## TECHNICAL DATA

Part #: 100216002 & 100216021

ML Princess 2 is part of a complete high pressure humidification system with one or more humidification units. Every unit consists of a nozzle ring with 8 nozzles and a built-in fan.

Humidity is produced as water under high pressure is atomized into micro-sized particles. The fan distributes the fog particles, thus securing a uniform humidity throughout the entire room.



### Technical data for ML Princess 2

<b>Weight:</b>	20 lbs.
<b>Height:</b>	12"
<b>Diameter:</b>	14" and 21"
<b>Material:</b>	Powder painted steel 37
<b>Motor:</b>	140 W, 1050 RPM 115 VAC, 60 Hz, 1.52A, IP4
<b>Max Disconnect:</b>	16 Amps
<b>Wire guard:</b>	Epoxy treated
<b>Noise level:</b>	55 dB
<b>Capacity:</b>	44-80 lbs/hr

### Technical data for nozzles

<b>Capacity per nozzle:</b>	5.5 or 10 lb/h
<b>Working pressure:</b>	525-1070 PSI
<b>Material:</b>	316 stainless steel
<b>Check valve:</b>	Standard

### Technical data for nozzle ring

<b>Material:</b>	316 stainless steel
<b>Pre-filter:</b>	20 micron