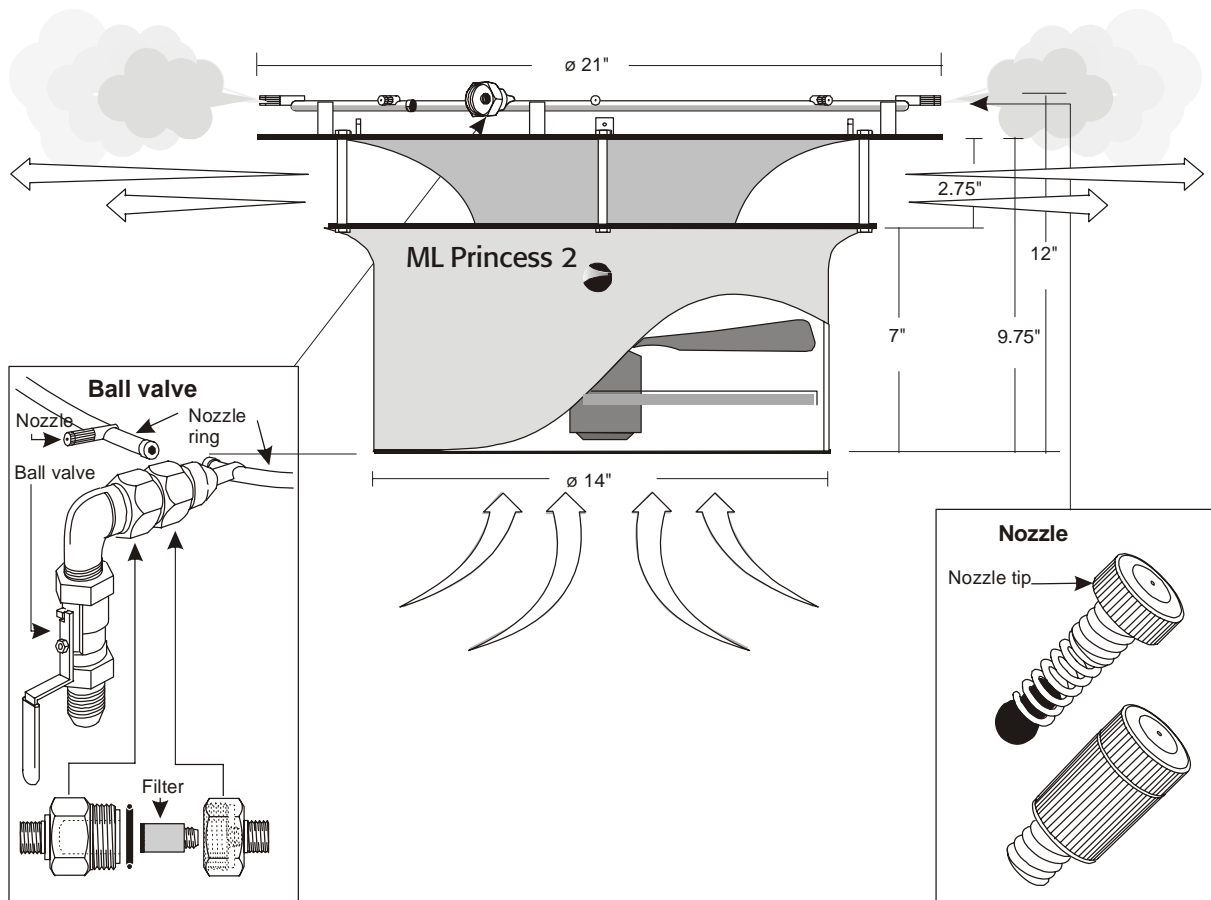


ML Princess 2

TECHNICAL DATA

Part #: 100216002 & 100216021

ML Princess 2 is part of a complete high pressure humidification system with one or more humidification units. Every unit consists of a nozzle ring with 8 nozzles and a built-in fan. Humidity is produced as water under high pressure is atomized into micro-sized particles. The fan distributes the fog particles, thus securing a uniform humidity throughout the entire room.



Technical data for ML Princess 2	
Weight:	20 lbs.
Height:	12"
Diameter:	14" and 21"
Material:	Powder painted steel 37
Motor:	100 W, 1050 RPM 115 VAC, 60 Hz, 16A, IP4
Wire guard:	Epoxy treated
Noise level:	55 dB
Capacity:	990 CFM
Color:	Aluminum

Technical data for nozzles	
Capacity:	44-80 lb/h
Capacity per nozzle:	5.5 or 10 lb/h
Working pressure:	525-1070 PSI
Material:	316 stainless steel
Check valve:	Standard

Technical data for nozzle ring	
Material:	316 stainless steel
Pre-filter:	20 micron