

Nortec GS

SPARE PARTS LIST



2584347_E_EN_2008_Nortec-GS_SPL

Proprietary Notice

This document and the information disclosed herein are proprietary data of Condair Ltd. Neither this document nor the information contained herein shall be reproduced, used, or disclosed to others without the written authorization of Condair Ltd., except to the extent required for installation or maintenance of recipient's equipment.

Liability Notice

Condair Ltd. does not accept any liability for installations of humidity equipment installed by unqualified personnel or the use of parts/components/equipment that are not authorized or approved by Condair Ltd.

Copyright Notice

© Condair Ltd. All rights reserved.

The contents of this document are subject to change without notice.

IMPORTANT! This document to be left with the equipment.

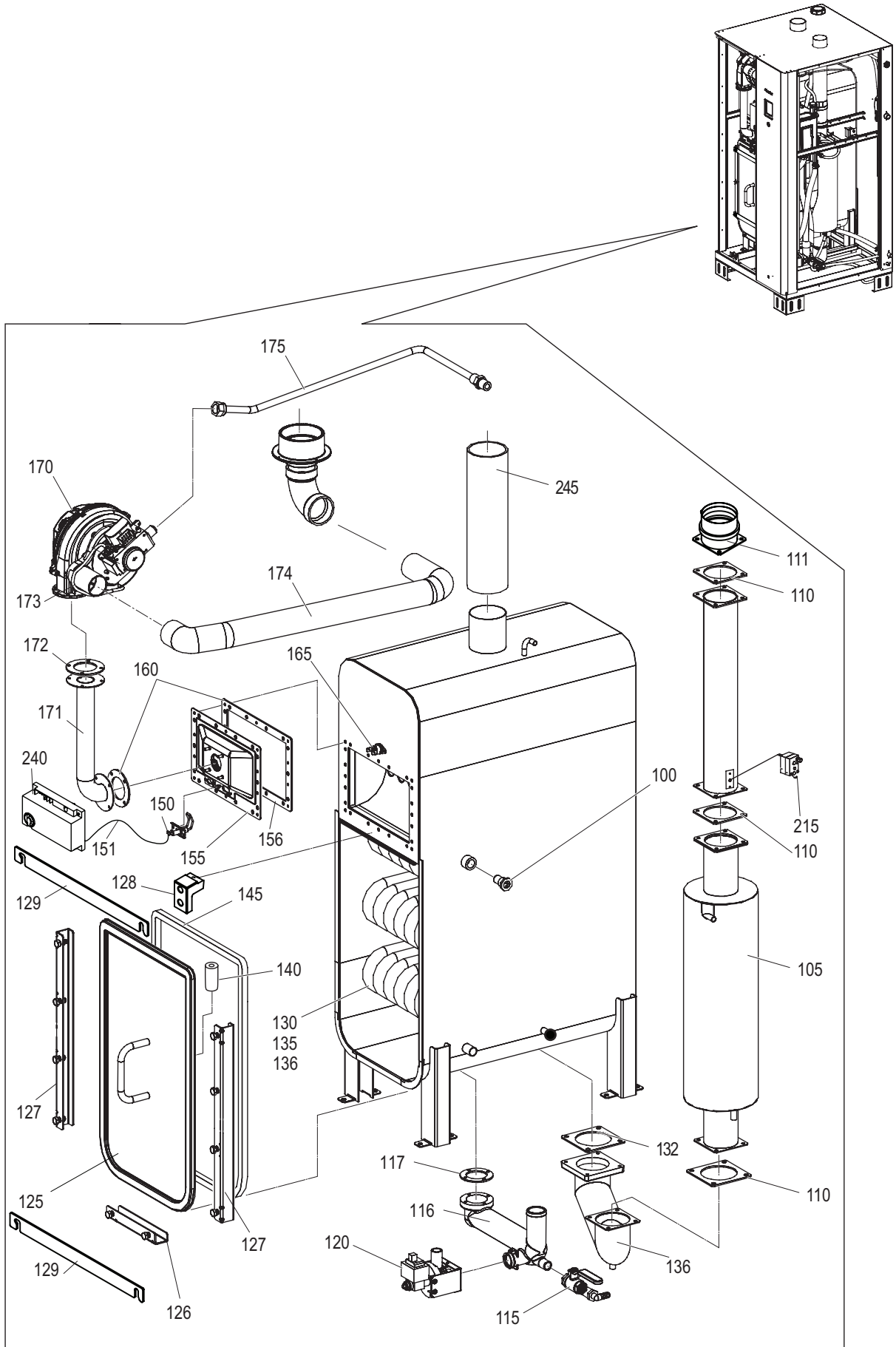


Figure 1: Nortec GS 150 Humidifier, Heat-exchanger and Blower

Parts List – Nortec GS 50-600

Item No.	Item Description	Details	GS 50	GS 100	GS 150	GS 200	GS 300	GS 450	GS 600	Condair Part Number
100	SP, GS/SE, Sensor, Tank thermal Kit consists of: Sensor, 1-1/2 in (38 mm) probe	160 °F (71 °C)	1	1	1	1	1	1	1	2584507
105	SP, GS, Heat-exchanger (secondary), Compact Kit consists of: Heat-exchanger, secondary (qty. 1) Gasket, sanitary flange (qty. 1) Gasket (qty. 1) Plug, pipe 1/2 in NPTM, SS (qty.1)	Model CS/NX only	1	1	-	-	-	-	-	2584711
	SP, GS, Heat-exchanger (secondary), Full-size Kit consists of: Heat-exchanger, secondary (qty. 1) Gasket (qty. 2) Plug, 1/2 in NPTM, SS (qty.1)	Model CS/NX only	-	-	1	2	2	3	4	2584712
106	SP, 10X Gasket, Sanitary Flange, 3 in, Sil Kit consists of: Gasket, Sanitary Flange (qty. 10)		1	1	-	-	-	-	-	2592490
107	SP, Clamp, Wing Nut, Sanitary, 3 in, 304 SST Kit consists of: Clamp, Wing Nut (qty. 1)		1	1	-	-	-	-	-	2592493
110	SP, GS, Gasket, Secondary Heat-exchanger Kit consists of: Gasket (qty. 2)	Model CS/NX only	1	1	1	2	2	3	4	2584494
111	SP, Adapter Exhaust 80 mm Kit consists of: Adapter (qty. 1) Gasket (qty. 1) Screw (qty. 4) Nut (qty. 4)		1	1	1	-	-	-	-	2593541
N/S	SP, Sealing Nut set, HX Exhaust Flange, GS Kit consists of: Nut, acorn cap M6, with gland (qty. 4) O-ring, 1/4"ID, 3/8"OD, 1/16" width (qty. 4)		1	1	1	1	1	1	1	2598969
115	SP, GS, Manual Drain Valve, Compact Kit consists of: Valve, 1/2 in NPT × 3/8 in compression (qty. 1) P-Trap, pressure port (qty. 1)		1	1	-	-	-	-	-	2584713
	SP, GS, Manual Drain Valve, Full-size Kit consists of: Valve, ball 1/2 in NPT (qty. 1) Elbow, 1/2 in NPT to barb (qty. 1)		-	-	1	1	1	1	1	2584714
116	SP, GS, Drain Casting Kit consists of: Fitting, drain cast (qty. 1) Gasket (qty. 1) Nut (qty. 4) Screw, M6x20 (qty. 4) O-ring (qty. 2)		1	1	1	1	1	1	1	2589921
117	SP, Drain Casting Gasket Kit consists of: Gasket (qty. 5)	(included in item 116)	1	1	1	1	1	1	1	2593540
120	SP, GS, Drain Pump Assembly, 60 Hz 24 V (refer to Figure 3 on page 17 for details) Kit consists of: Pump, drain (qty. 1) Bracket (qty. 1) Screw, #10-32 × 1/2 in (qty. 4) Setscrew, M4×10 (qty. 1) O-ring, (qty. 1) Clamp, worm drive (qty. 1) Washer, flat (qty. 4) Washer, lock (qty. 4)		1	1	1	1	1	1	1	2584503
121	SP, 20X Screw, 10-32x0.5 in Kit consists of: Screw, Machine, 10-32x0.5 in (qty. 20) Washer, lock (qty. 20) Washer, flat (qty. 20)		1	1	1	1	1	1	1	2592482
122	SP, 10X Screw, M4x10 Kit consists of: Screw, Machine, M4x10 (qty. 10)		1	1	1	1	1	1	1	2592483

Nortec GS 50-600

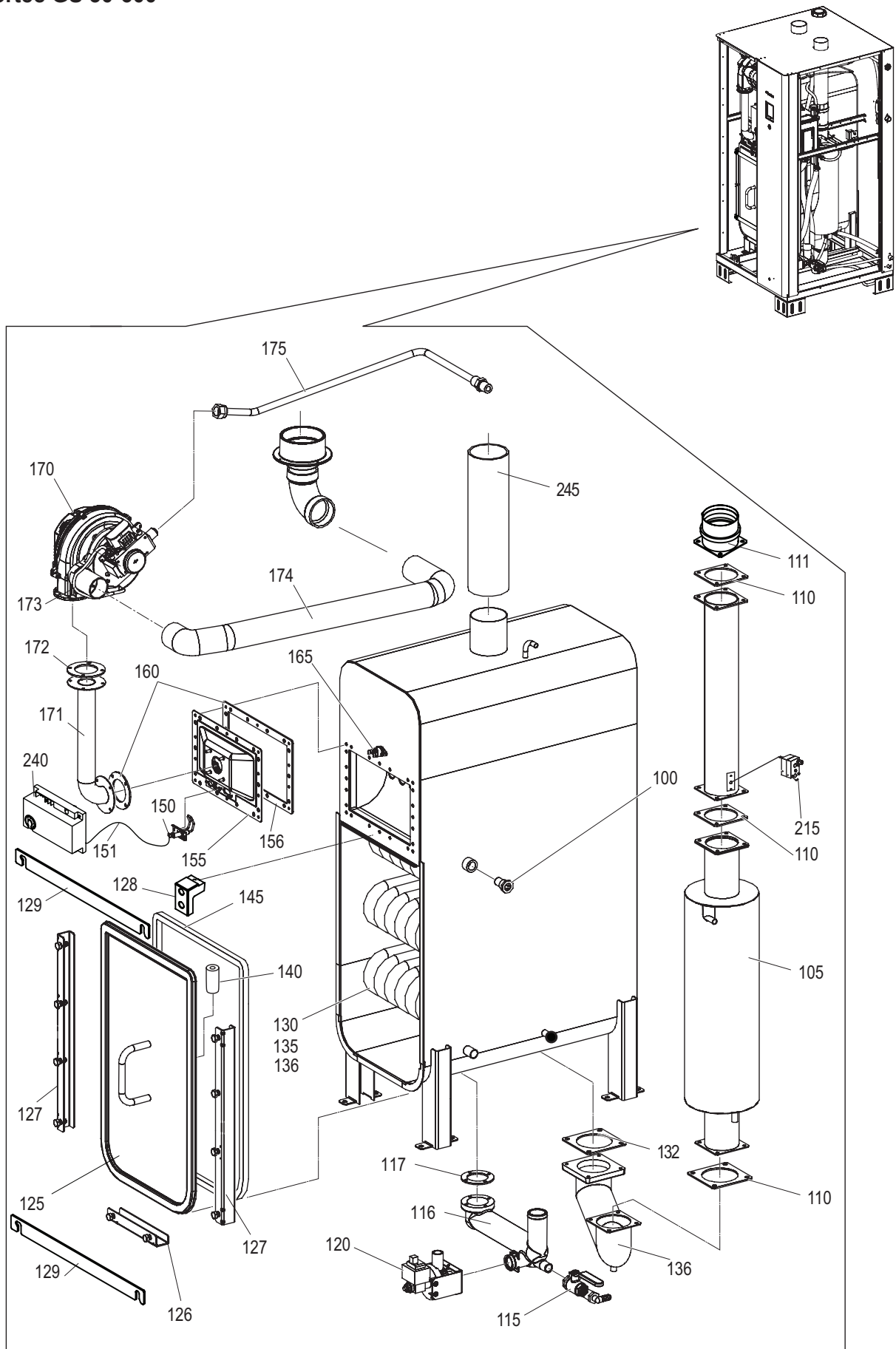


Figure 1: Nortec GS 150 Humidifier, Heat-exchanger and Blower, continued...

Item No.	Item Description	Details	GS 50	GS 100	GS 150	GS 200	GS 300	GS 450	GS 600	Condair Part Number
123	SP, 10X O-ring, .9375x.103 in, Sil Kit consists of: O-ring (qty. 10)		1	1	1	1	1	1	1	2592484
124	SP, Bracket Kit, Tank Door Clamps Kits consist of: Bracket, side clamp (qty. 2) Bracket, bottom clamp short (qty. 1) Bracket, bottom clamp long (qty. 1) Bracket, top, cleanout door (qty. 3) Screw, socket cap, M6x40 (qty. 4) Nut, M8x25 (qty. 17) Screw, M8x25 (qty. 17) Cross bar single (qty. 2) Cross bar, double (qty. 2)		1	1	1	1	1	2	2	2589276
125	SP, GS, Door, Clean-out (single) (refer to Figure 3 on page 17 for details) Kits consist of: Door (qty. 1) Anode, sacrificial (qty. 1) Gasket (qty. 1)		1	1	1	-	-	1	-	2584482
	SP, GS, Door, Clean-out (double)		-	-	-	1	1	1	2	2584483
126	SP Bracket, Bottom Clamp Short, Tank Door Kits consist of: Bracket, Bottom Clamp Short, Tank Door (qty. 1) Nut, M8x1.25 (qty. 2) Screw, M8x25 (qty. 2)	(included in item 124)	1	1	1	-	-	1	-	2592478
	SP Bracket, Bottom Clamp Long, Tank Door Kits consist of: Bracket, Bottom Clamp Long, Tank Door (qty. 1) Nut, M8x1.25 (qty. 4) Screw, M8x25 (qty. 4)	(included in item 124)	-	-	-	1	1	1	2	2592477
127	SP 2X Bracket, Side Clamp Long, Tank Door Kits consist of: Bracket, Side Clamp Long, Tank Door (qty. 2) Nut, M8x1.25 (qty. 8) Screw, M8x25 (qty. 8)	(included in item 124)	1	1	1	1	1	2	2	2592479
128	SP Bracket Top, Cleanout Door Kits consist of: Bracket, top, cleanout door (qty. 1) Nut, M8x1.25 (qty. 1) Screw, M8x25 (qty. 1) Screw, socket cap, M6x40 (qty. 1)	(included in item 124)	1	1	1	3	3	4	6	2592480
129	SP, Cross Bar Single Kit consists of: Crossbar (qty. 2)		1	1	1	-	-	1	-	2593541
	SP, Cross Bar Double		-	-	-	1	1	1	2	2593542
130	SP, GS, Heat-exchanger, 23 kg/h Kit consists of: Heat exchanger, primary (qty. 1) Gasket, Hx combustion chamber flange (qty. 1) Gasket, Hx exhaust flange (qty. 1) Gasket, Hx exhaust flange, inside (qty. 1) Gasket, burner blower (qty. 2) Gasket, burner (qty. 1) Stud, M6x30, threaded SST (qty. 4) Bolt, M6x10, socket head SST (qty. 14) Bolt, M6x14, hex head SST (qty. 9) Nut, Nylon lock, M5 Zn plated (qty. 4) Nut, flange, serrated 6mm SST (qty. 4) Washer, lock M6 (qty. 9)		1	-	-	-	-	-	-	2584495
	SP, GS, Heat-exchanger, 45 kg/h		-	1	-	-	-	-	-	2584496
	SP, GS, Heat-exchanger, 65 kg/h Kit consists of: Heat exchanger, primary (qty. 1) Gasket, Hx combustion chamber flange (qty. 1) Gasket, Hx exhaust flange (qty. 1) Gasket, Hx exhaust flange, inside (qty. 1) Gasket, burner blower (qty. 1) Gasket, burner (qty. 1) Stud, M6x30, threaded SST (qty. 4) Bolt, M6x10, socket head SST (qty. 14) Bolt, M6x14, hex head SST (qty. 9) Nut, Nylon lock, M5 Zn plated (qty. 4) Nut, flange, serrated 6mm SST (qty. 4) Washer, lock M6 (qty. 9)		-	-	1	2	2	3	4	2593815

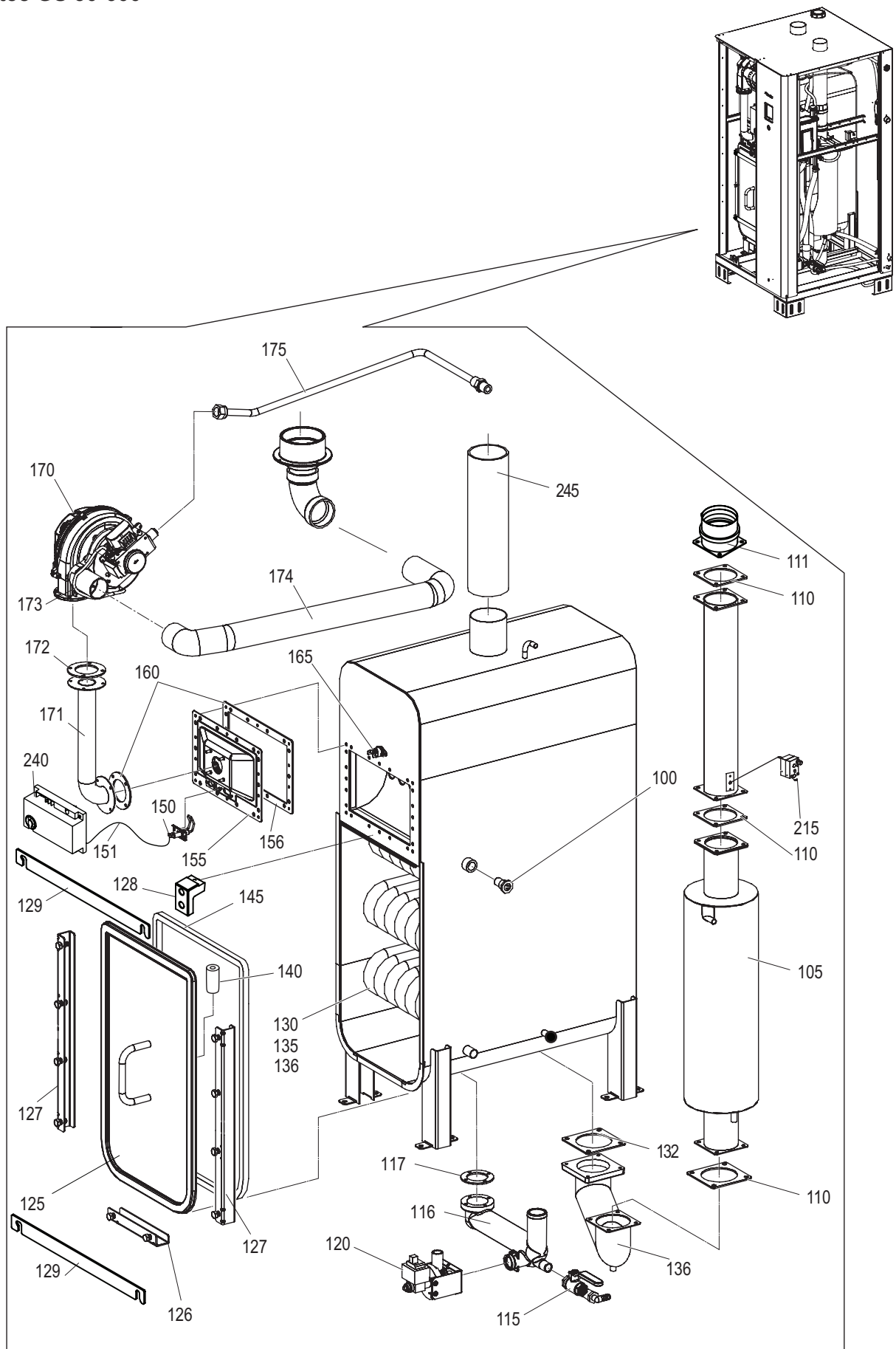


Figure 1: Nortec GS 150 Humidifier, Heat-exchanger and Blower, continued...

Parts List (continued...) – Nortec GS 50-600

Item No.	Item Description	Details	GS 50	GS 100	GS 150	GS 200	GS 300	GS 450	GS 600	Condair Part Number
131	SP, 10X Gasket, HX Comb Chamber Flange Kit consists of: Gasket, Flange (qty. 10)		1	1	1	1	1	1	1	2592486
132	SP, 20X Gasket, HX Exhaust Flange Kit consists of: Gasket, Flange (qty. 20)		1	1	1	1	1	1	1	2592488
135	SP, GS, Gasket, Heat-exchanger (primary) Kit consists of: Gasket, Hx combustion chamber flange (qty. 1) Gasket, Hx exhaust flange (qty. 1) Gasket, Hx exhaust flange, Inside (qty. 1) Gasket, burner-blower (qty. 2, 1 for full size units) Gasket, burner (qty. 1) Bolt, M6x16, hex-head, SST (qty. 4) Bolt, M6x10, socket cap, SST (qty. 14) Bolt, M6x14, hex-head, SST (qty. 9) Stud, M6x30, threaded SST (qty. 4) Screw, socket cap, SST (qty. 2) Nut, nylon lock M5, Zn plated (qty. 4) Nut, flang, serrated, 6 mm SST (qty. 4) Washer, lock M6 (qty. 9)	(included in item 130)	1	1	1	2	2	3	4	2584492
136	SP, Hx and Exhaust Manifold Kit, Burner 1 (refer to on page 16 for details) Kit consists of: Heat-exchanger, primary (qty. 1) Manifold, tank exhaust, welded (qty. 1) Gasket, Hx combustion chamber flange (qty. 1) Gasket, Hx exhaust flange (qty. 1) Gasket, Hx exhaust flange, Inside (qty. 1) Gasket, burner-blower (1 for full size units) Gasket, burner (qty. 1) Gasket, tank 2nd HE flange, single Hx (qty. 1) Bolt, M6x10, socket cap, SST (qty. 14) Bolt, M6x14, hex-head, SST (qty. 9) Stud, M6x30, threaded SST (qty. 4) Screw, hex hd, ser. flange M6x12 Zn plate (qty. 4) Nut, nylon lock M5, Zn plated (qty. 4) Nut, flang, serrated, 6 mm SST (qty. 4) Nut, M6 Zn plated (qty. 4) Washer, lock M6 (qty. 9)		–	–	1	1	1	1	1	2593810
	SP, Hx and Exhaust Manifold Kit, Burner 2		–	–	–	1	1	1	1	2593811
	SP, Hx and Exhaust Manifold Kit, Burner 3		–	–	–	–	–	1	1	2593812
	SP, Hx and Exhaust Manifold Kit, Burner 4		–	–	–	–	–	–	1	2593814
140	SP, GS, Sacrificial Anode, GS/SE Kit consists of: Anode, sacrificial (qty. 1)	(included in items 125, 145)	1	1	1	1	1	2	2	2575147
145	SP, GS, Gasket, Tank Clean-out Door Kit consists of: Gasket, clean-out door, single Hx (qty. 1)	(included in item 125)	1	1	1	–	–	1	–	2584484
	SP, GS, Gasket, Tank Clean-out Door Kit consists of: Gasket, clean-out door, double Hx (qty. 1)	(included in item 125)	–	–	–	1	1	1	2	2584485
150	SP, GS, Spark Igniter (refer to Figure 3 on page 17 for details) Kit consists of: Igniter, spark electrode (qty. 1) Gasket, spark igniter (qty. 1) Nut, M4 (qty. 2) Cable, spark igniter (qty. 1)		1	1	1	2	2	3	4	2584513

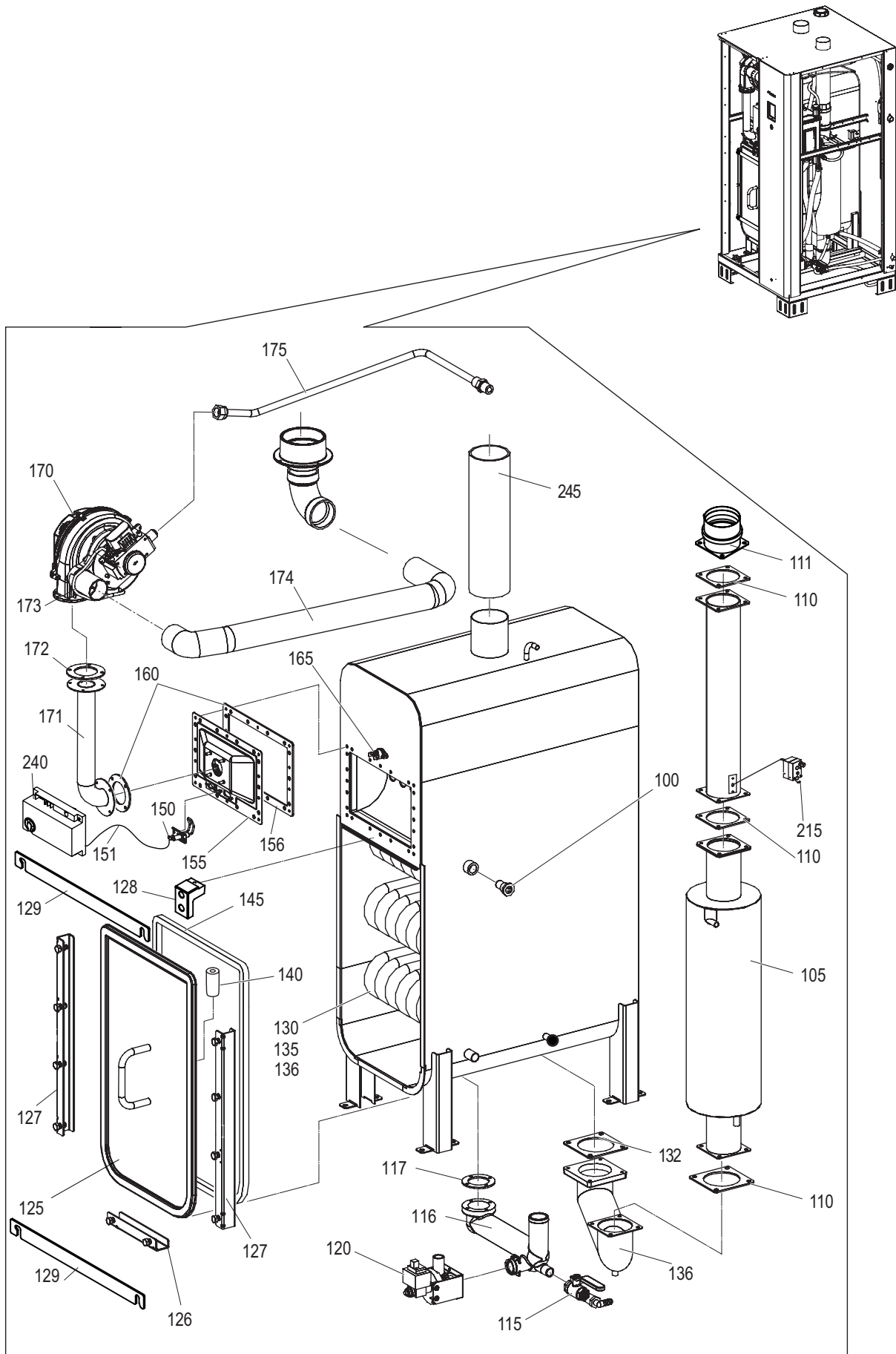


Figure 1: Nortec GS 150 Humidifier, Heat-exchanger and Blower, continued...

Parts List (continued...) – Nortec GS 50-600

Item No.	Item Description	Details	GS 50	GS 100	GS 150	GS 200	GS 300	GS 450	GS 600	Condair Part Number
151	SP, Cable, Spark Igniter Kit consists of: Cable, spark igniter (qty. 1)	(included in item 150)	1	1	1	2	2	3	4	2593544
155	SP, GS, Burner Assembly, Compact (refer to Figure 3 on page 17 for details) Kit consists of: Assembly, burner (qty. 1) – includes spark igniter and hardware Gasket, burner-blower (qty. 2) Gasket, burner (qty. 1) Screw, M6×12, hex-head (qty. 10) Nut, nylon lock, M5 (qty. 4)		1	–	–	–	–	–	–	2584509
	SP, GS, Burner Assembly, Compact Kit consists of: Assembly, burner (qty. 1) – includes spark igniter and hardware Gasket, burner-blower (qty. 2) Gasket, burner (qty. 1) Screw, M6×12, hex-head (qty. 10) Nut, nylon lock, M5 (qty. 4)		–	1	–	2	–	–	–	2584510
	SP, GS, Burner Assembly, Full-size Kit consists of: Assembly, burner (qty. 1) – includes spark igniter and hardware Gasket, burner-blower (qty. 1) Gasket, burner (qty. 1) Screw, M6×12, hex-head (qty. 10) Nut, nylon lock, M5 (qty. 4)		–	–	1	–	2	3	4	2584511
156	SP, 10X Gasket, Burner Kit consists of: Gasket, Burner (qty. 10)		1	1	1	1	1	1	1	2592487
160	SP, GS, Gasket, Burner (refer to Figure 3 on page 17 for details) Kit consists of: Gasket, burner (qty. 1) Gasket, burner-blower (qty. 1) Screw, M6×12, hex-head (qty. 10) Nut, nylon lock, M5 (qty. 4)		1	1	1	2	2	3	4	2584512
165	SP, GS, Switch, Tank Hi-Limit Kit consists of: Switch, temperature (qty. 1) Nut, M3 (qty. 2)		1	1	1	1	1	2	2	2586125
170	SP, GS, Blower Assembly, Compact Kit consists of: Assembly, blower with valve, pre-mix (qty. 1) Gasket, burner-blower (qty. 1) Tube, 1/8 in (3 mm) I.D. × 9 in (230 mm)	120 V, 70 kBTU (20.5 kW)	1	–	–	–	–	–	–	2586135
	SP, GS, Blower Assembly, Compact Kit consists of: Assembly, blower with valve, pre-mix (qty. 1) Gasket, burner-blower (qty. 1) Tube, 1/8 in (3 mm) I.D. × 9 in (230 mm)	120 V, 140 kBTU (41.0 kW)	–	1	–	2	–	–	–	2584517
	SP, GS, Blower Assembly, Full-size (refer to Figure 4 on page 18 for details) Kit consists of: Assembly, blower with valve (qty. 1) Gasket, burner-blower (qty. 1)	120 V, 210 kBTU (61.5 kW)	–	–	1	–	2	3	4	2586136

Nortec GS 50-600

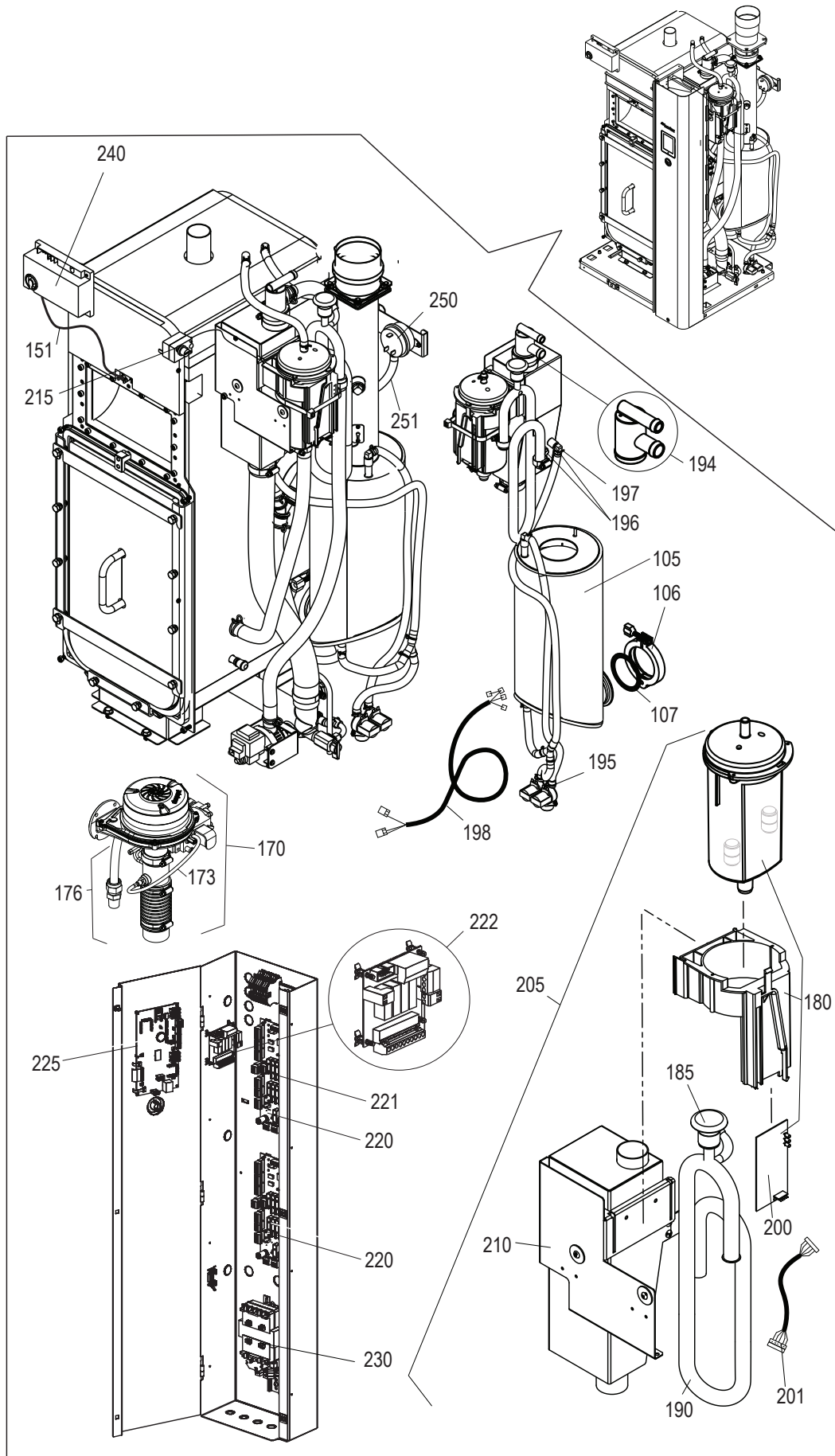


Figure 2: Nortec GS 100 Humidifier, Plumbing and Electrical.

Item No.	Item Description	Details	GS 50	GS 100	GS 150	GS 200	GS 300	GS 450	GS 600	Condair Part Number
171	SP, GS, Link Tube, Blower Burner 23-45 kg/h Kit consists of: Tube, link (qty. 1) Gasket, burner blower (qty. 2) Nut (qty. 4) Screw, hexhead M5x16 (qty. 4)		1	1	-	-	-	-	-	2593546
	SP, GS, Link Tube, Blower Burner 65 kg/h Kit consists of: Tube, link (qty. 1) Gasket, burner blower (qty. 2) Nut (qty. 4) Screw, hexhead M5x16 (qty. 4)		-	-	1	2	2	3	4	2593547
172	SP, 20X Gasket, Burner Blower 24 V Kit consists of: Gasket (qty. 20)		1	1	1	1	1	1	1	2592489
173	SP, Tube, 24 in, 1/4 in OD, 1/8 in ID Blue Kit consists of: Tube, 24 in (qty. 1)		1	1	1	1	1	1	1	2592485
174	SP, Hose, Blower 2 in ID Kit consists of: Hose, duct PVC (qty. 1) Clamps, gear (qty. 2)		-	-	1	2	2	3	4	2593548
175	SP, GS, Flexible Hose, Gas, Compact Kit consists of: Hose, flex gas, 1/2 in (13 mm) I.D. × 16 in (406 mm)		1	1	-	-	-	-	-	2584500
	SP, GS, Flexible Hose, Gas, Full-size Kit consists of: Hose, flex gas, 3/4 in (19 mm) I.D. × 36 in (915 mm)		-	-	1	2	2	2	2	2584501
	SP, GS, Flexible Hose, Gas, Full-size Kit consists of: Hose, flex gas, 3/4 in (19 mm) I.D. × 60 in (1.5 m)		-	-	-	-	-	1	2	2584502
176	SP, Connector, Blower Air, 23-45 kg/h Kit consists of: Hose, flex gas connect (qty. 1) Hose, duct 2 in ID PVC (qty. 1) Air intake, 2 in dia, GS blower (qty. 1) Clamp, worm-drive (qty. 3) Tube, 10 in, 1/4 in ID 1/8 OD, blue (qty. 1) Tube, connector, blower air assembly (qty. 1) Fitting, gas, 0.5 in NPT		1	1	-	-	-	-	-	2593545
N/S	SP, Rectifier, 600 V 25 A Kit consists of: Rectifier (qty. 1)		1	1	-	2	-	-	-	2585377
180	SP, GS, Float Chamber Sleeve (refer to Figure 4 on page 18 for details) Kit consists of: Mounting bracket, float chamber (qty. 1) Float board (qty. 1)		1	1	1	1	1	1	1	2584508
185	SP, GS, Valve, Vacuum Break Kit consists of: Valve, vacuum break, 1/2 in NPT (qty. 1)	(included in item 205)	1	1	1	1	1	1	1	1505959
190	SP, GS, Drain Trap Kit consists of: Valve, vacuum break, 1/2 in NPT (qty. 1) Screws, mounting (qty. 2) Trap (qty. 1)		1	1	1	1	1	1	1	2593551
194	SP, GS, Fill Box Adapter Kits consist of: Adapter, fill box (qty. 1)		1	1	1	1	1	1	1	2593552

N/S Not shown

Nortec GS 50-600

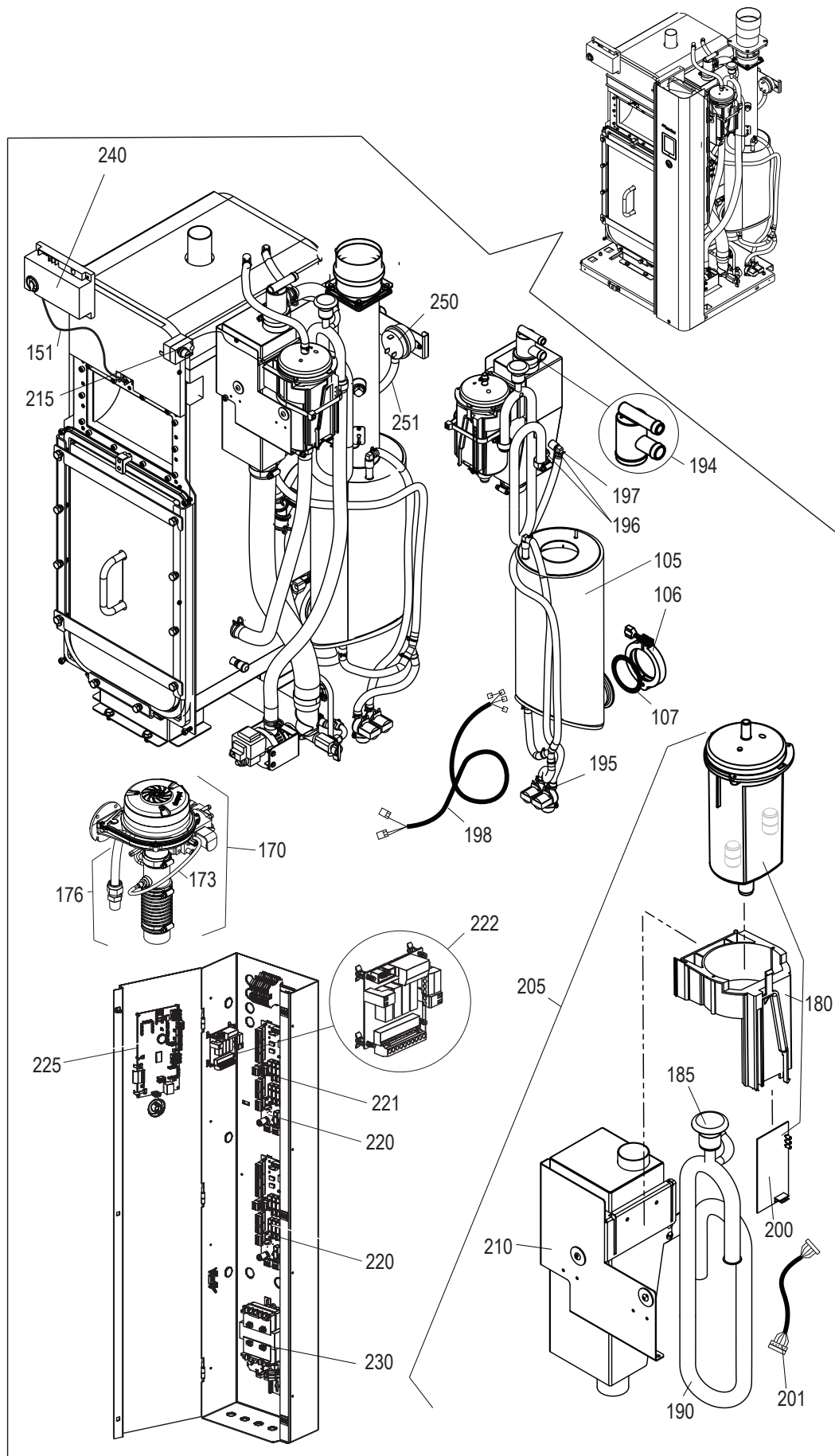


Figure 2: Nortec GS 100 Humidifier, Plumbing and Electrical. .

Parts List (continued...) – Nortec GS 50-60

Item No.	Item Description	Details	GS 50	GS 100	GS 150	GS 200	GS 300	GS 450	GS 600	Condair Part Number
195	SP, GS, Fill Valve, Dual Solenoid, Compact Kits consist of: Valve, fill (qty. 1) Screw, M4x10 (qty. 2)	2.64/0.21 gpm (10/0.8 L/min), 24 VAC	1	–	–	–	–	–	–	2584488
	SP, GS, Fill Valve, Dual Solenoid, Compact	2.64/0.34 gpm (10/1.3 L/min), 24 VAC	–	1	–	–	–	–	–	2584489
	SP, GS, Fill Valve, Dual Solenoid, Full-size	2.64/0.66 gpm (10/2.5 L/min), 24 VAC	–	–	1	1	–	–	–	2584490
	SP, GS, Fill Valve, Dual Solenoid, Full-size	2.64/0.87 gpm (10/3.3 L/min), 24 VAC	–	–	–	–	1	–	–	2584491
	SP, GS, Fill Valve, Quadruple Solenoid, Full-size	2.64/0.87 gpm x 2 (10/3.3 L/min x2), 24 VAC	–	–	–	–	–	1	1	2587914
196	SP, 10X Fitting, Plug .125 NPT Kit consists of: Fitting, Plug, .125 NPT Brass (qty. 10)		1	1	1	1	1	1	1	2592475
197	SP, 10X FTG Elbow, Barbed Kit consists of: Fitting, EL, Hose, Barbed, .375in x .125 NPTM (qty. 10)		1	1	1	1	1	1	1	2592476
198	SP, Inlet Valve Cable Kit consists of: Wire harness, fill valve (qty. 1)		1	1	1	1	1	2	2	2593553
200	SP, GS, Float Board, GS/SE/NHDI/NHSC (refer to Figure 4 on page 18 for details)	(included in item 180)	1	1	1	1	1	1	1	2573846
201	Float Board Cable Kit consists of: Wire harness, float level (qty. 1)		1	1	1	1	1	1	1	2593554
205	SP, GS, Fill Box Assembly (with floats) (refer to Figure 4 on page 18 for details) Kit consists of: Assembly, fill box (qty. 1) – includes fill box weldment, tubes, traps, washers, vacuum break, and floats Screw #8-32 x 0.5 TA (qty. 2) Washer 0.197 in (5 mm) I.D. x 0.50 in (13 mm) O.D. (qty. 4) Washer, 3/16 in (5 mm) I.D. x 1 in (25 mm) O.D. (qty. 2)		1	1	1	1	1	1	1	2584487
210	SP, GS, Fill Box, Body (no floats) (refer to Figure 4 on page 18 for details) Kit consists of: Body, fill box (qty. 1) – with hoses and fittings, but without floats Weldment, fill box (qty. 1) Screw, #8-32 x 0.5 TA (qty. 2) Washer, 0.197 in (5 mm) I.D. x 0.5 in (13 mm) O.D. (qty. 4) Washer, 3/16 in (5 mm) I.D. x 1 in (25 mm) O.D. (qty. 2) Clamp, worm drive 1.56-2.5 in (40-64 mm) (qty. 1) Fitting, hose, barbed (qty. 1) Fitting, plug, brass (qty. 1)		–	–	–	–	–	1	1	2584486
215	SP, GS, Switch, Stack Hi-Limit, 160 °F (71 °C) (refer to Figure 4 on page 18 for details) Kit consists of: Sensor, high limit, (qty. 1) Grommet (qty. 1) Screw, #6-32 x 1/2 in (qty. 2) Bracket (qty. 1) Retainer, bolt (qty. 2)	Model CS/NX	1	1	1	1	1	2	2	2584499
	SP, GS, Switch, Stack Hi-Limit, 320 °F (160 °C) Sensor, high limit, (qty. 1) Gasket (qty. 1) Screw, #6-32 x 1/2 in (qty. 2) Bracket (qty. 1) Retaining ring (qty. 2)		1	1	1	1	1	2	2	2584498
220	SP, GS, Driver Board, GS Kit consists of: Driver board and supports		1	1	1	1	1	2	2	2584709
221	SP, GS, Relay (general purpose) Kit consists of: Relay, general purpose (qty. 2)		1	1	1	1	1	1	1	2588535

Nortec GS 50-600

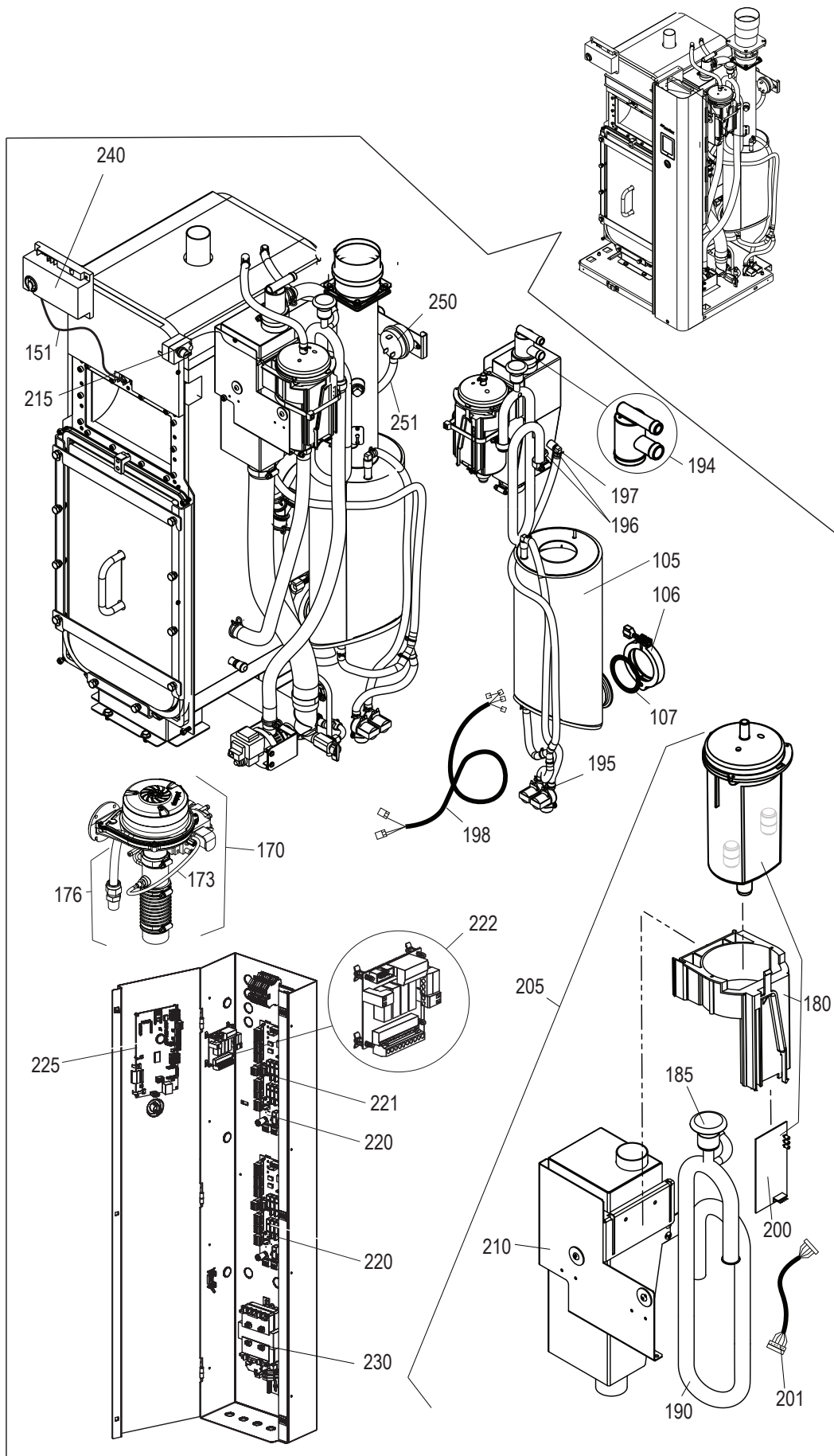


Figure 2: Nortec GS 100 Humidifier, Plumbing and Electrical.

Item No.	Item Description	Details	GS 50	GS 100	GS 150	GS 200	GS 300	GS 450	GS 600	Condair Part Number
222	SP, Remote Fault Indication Board Kit consists of: Basic Fault Remote PCB (qty. 1) Cable, ribbon 10 pin (qty. 1) Standoff, support (qty. 4)		1	1	1	1	1	1	1	2574171
225	SP, GS, Integrated Control Board Kit consists of: Screw, M3x8 (qty. 6)		1	1	1	1	1	1	1	2584708
230	SP, Transformer, 120/240Vpri, 24V sec, 150 VA Kits consists of: Transformer (qty. 1)		1	1	1	1	1	1	1	2593555
240	SP, GS, Ignition Module, 23, 45, 90 kg/h Kits consists of: Module, ignition (qty. 1)		1	1	-	2	-	-	-	2593558
	SP, GS, Ignition Module, 65, 130, 195, 260 kg/h Kits consists of: Module, ignition (qty. 1)		-	-	1	-	2	3	4	2593559
245	SP, Hose, 3 in ID Kits consists of: Hose, 10 in, 3 in ID (qty. 1)		-	-	1	1	1	-	-	2525659
	SP, Hose, 4 in ID Kits consists of: Hose, 10 in, 4 in ID (qty. 1)		-	-	-	-	-	1	1	2525660
250	SP, Switch, Air Proving 1.0 in W.C. Kits consists of: Switch, air proving diff, 1.0 in WC (qty. 1)		2	2	-	2	-	-	-	2593549
	SP, Switch, Air Proving 3.0 in W.C. Kits consists of: Switch, air proving diff, 3.0 in WC (qty. 1)		-	-	2	-	2	2	2	2593550
251	SP, Tubing, Silicon, 0.188 x 30 in Kit consists of: Tube 0.188 in ID, 30 in (qty. 1)		1	1	1	1	1	1	1	2593561
255	SP, GS Triple, Quad Exhaust Tube Assembly Kit consists of: Assembly, Exhaust Tube (qty. 1)		-	-	-	-	-	1	1	2592491
260	SP, GS Exhaust Set, Indoor, Quad Kit consists of: Assembly, Exhaust Tube (qty. 1)	Model CS/NX only	-	-	-	-	-	-	1	2592492
265	SP, Clamp, T-bolt, 82.6 mm Nominal Dia. Kit consists of: Clamp, T-bolt (qty. 4)		1	1	1	1	1	1	1	2592494
270	SP, GS Exhaust Header, 200 300 lb/h Kit consists of: Header, exhaust (qty. 1) Screw (qty. 8) Nut (qty. 8) Gasket (qty. 2)		-	-	-	1	1	-	-	2593560
	SP, GS Exhaust Header, 450 lb/h		-	-	-	-	-	1	-	2593557
	SP, GS Exhaust Header, 600 lb/h		-	-	-	-	-	-	1	2593556
275	SP, Gas Supply Manifold Kit consists of: Assembly, Manifold (qty. 1) Square head plug 1 in (qty. 1) Square head plug 0.75 in (qty. 2) Screw and washer (qty. 2)		-	-	-	1	1	1	1	2598990
N/S	SP, 20X Screw, 10-32x0.5 in Kit consists of: Screw, Machine, 10-32x0.5 in (qty. 20)		1	1	1	1	1	1	1	2592482
N/S	SP, 10X Screw, M4x10 Kit consists of: Screw, Machine, M4x10 (qty. 10)		1	1	1	1	1	1	1	2592483
N/S	SP, 10X O-ring, .9375x.103 in, Sil Kit consists of: O-ring (qty. 10)		1	1	1	1	1	1	1	2592484

Item No.	Item Description	Details	GS 50	GS 100	GS 150	GS 200	GS 300	GS 450	GS 600	Condair Part Number
N/S	SP, Tube, 24 in, 1/4 in OD, 1/8 in ID Blue Kit consists of: Tube, 24 in (qty. 1)		1	1	1	1	1	1	1	2592485
N/S	SP, 10X Gasket, HX Comb Chamber Flange Kit consists of: Gasket, Flange (qty. 10)		1	1	1	1	1	1	1	2592486
N/S	SP, 2X Gasket, Burner Kit consists of: Gasket, Burner (qty. 2)		1	1	1	1	1	1	1	2592487
N/S	SP, 20X Gasket, HX Exhaust Flange Kit consists of: Gasket, Flange (qty. 20)		1	1	1	1	1	1	1	2592488
N/S	SP, 20X Gasket, Burner Blower 24 V Kit consists of: Gasket (qty. 20)		1	1	1	1	1	1	1	2592489
N/S	SP, 10X Gasket, Sanitary Flange, 3 in, Sil Kit consists of: Gasket, Sanitary Flange (qty. 10)		1	1	1	1	1	1	1	2592490
N/S	SP, Clamp, Wing Nut, Sanitary, 3 in, 304 SST Kit consists of: Clamp, Wing Nut (qty. 1)		1	1	1	1	1	1	1	2592493

Nortec GS 50-600

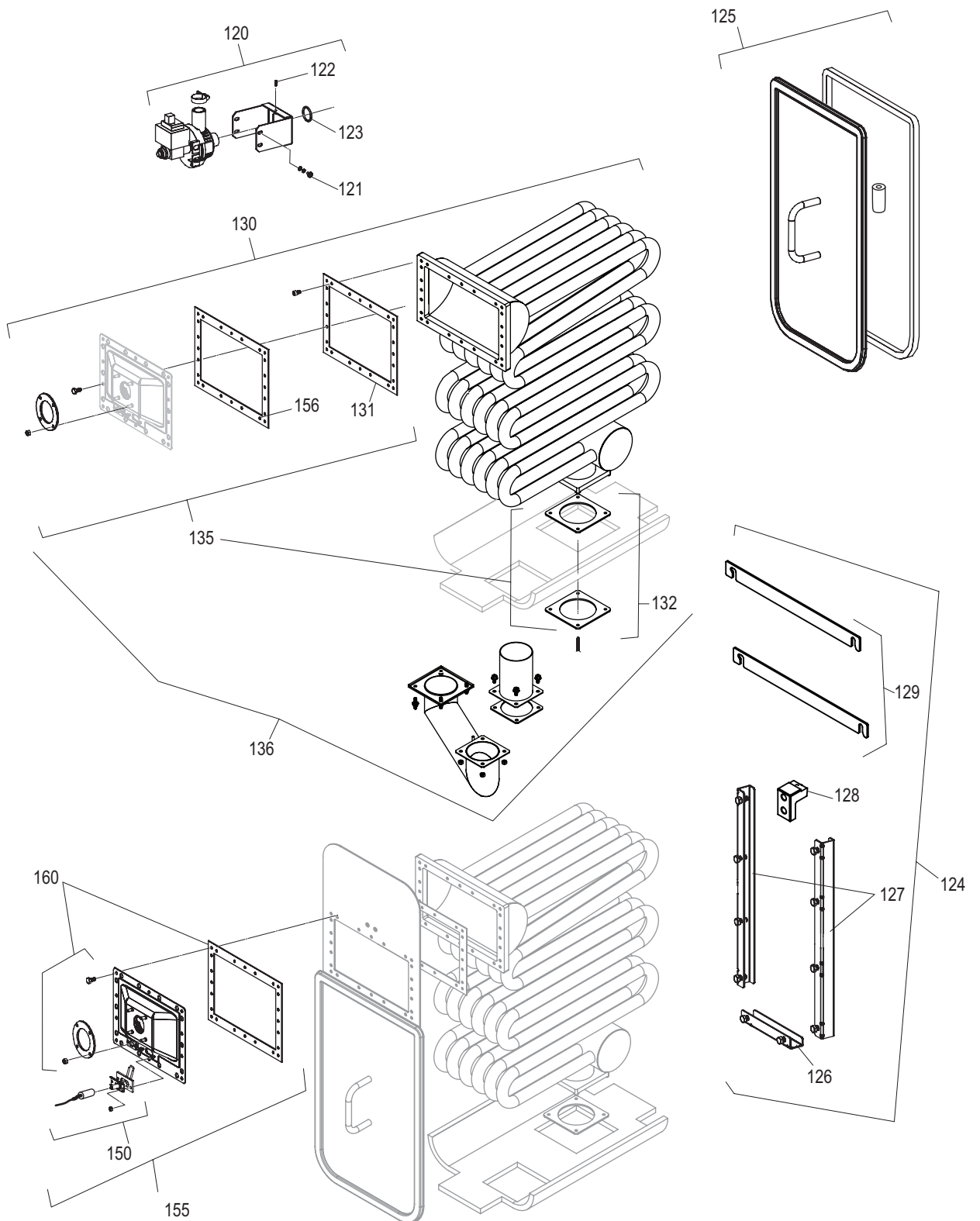


Figure 3: Nortec GS Humidifier, Kit Details
Note: Greyed out items are not a part of the kits.

Nortec GS 50-600

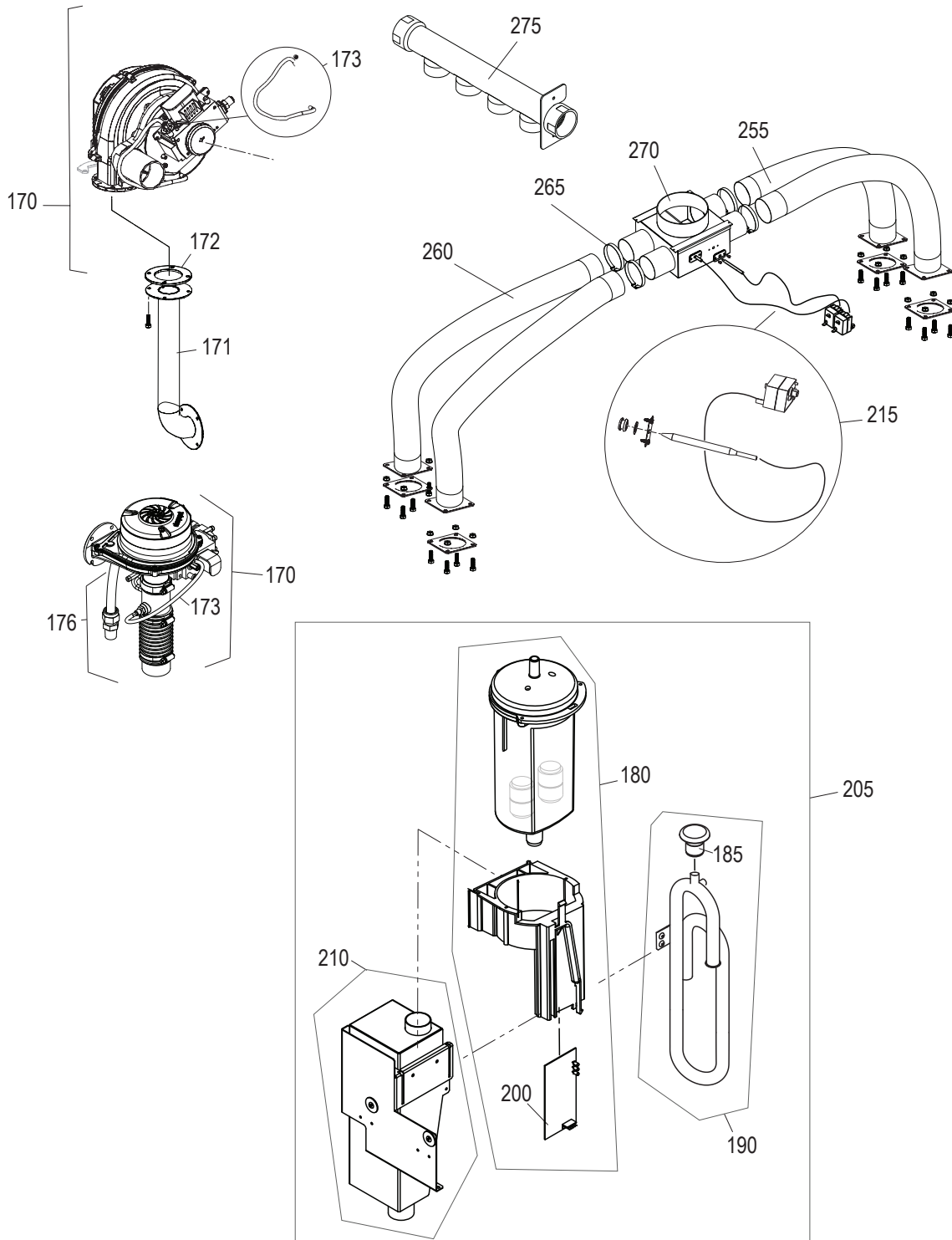
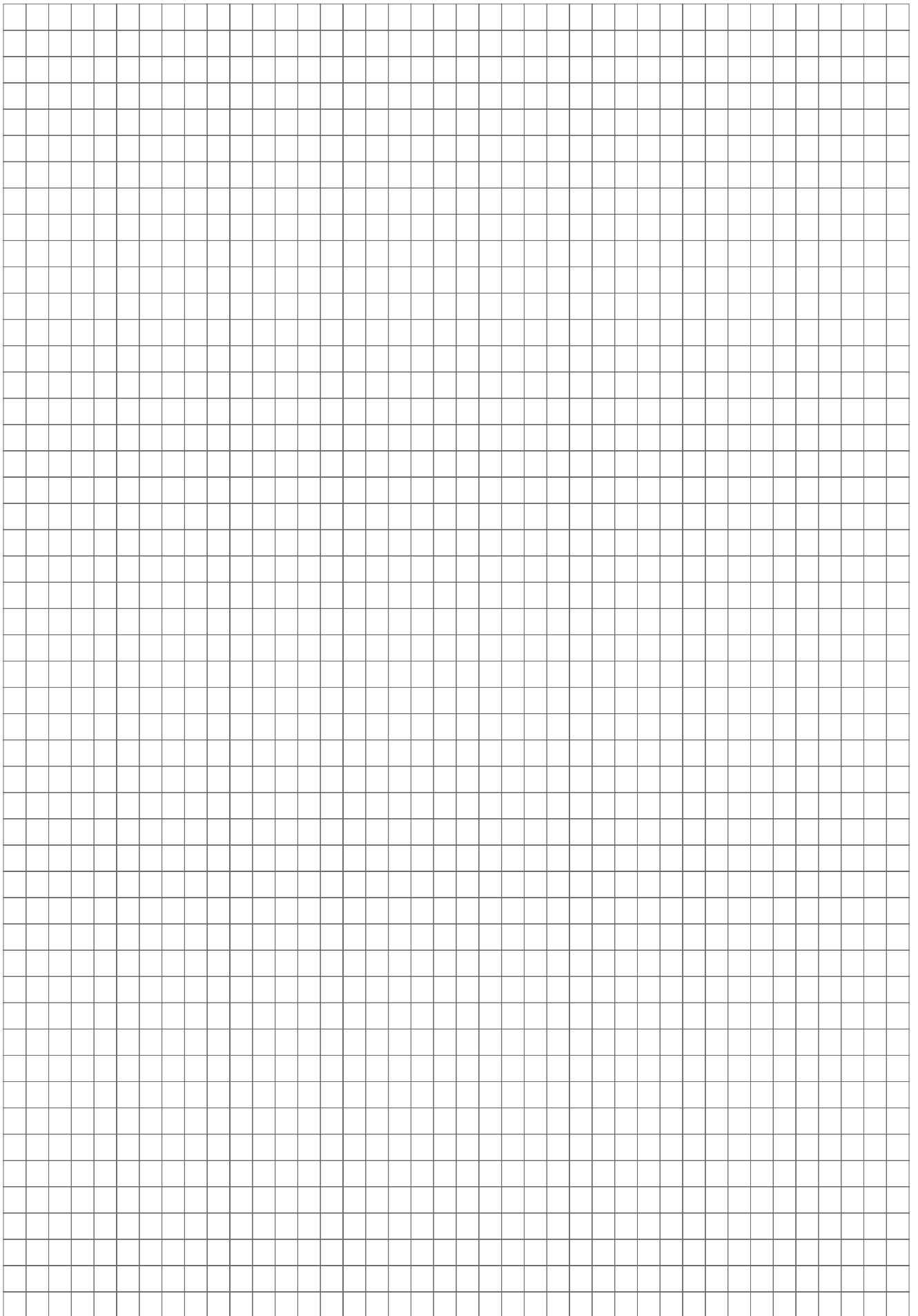


Figure 4: Nortec GS Humidifier, Kit Details, continued...

Note: Greyed out items are not a part of the kits.



Warranty

Condair Inc. and/or Condair Ltd. (hereinafter collectively referred to as THE COMPANY), warrant for a period of two years after installation or 30 months from manufacturer's ship date, whichever date is earlier, that THE COMPANY's manufactured and assembled products, not otherwise expressly warranted, are free from defects in material and workmanship. No warranty is made against corrosion, deterioration, or suitability of substituted materials used as a result of compliance with government regulations.

THE COMPANY's obligations and liabilities under this warranty are limited to furnishing replacement parts to the customer, F.O.B. THE COMPANY's factory, providing the defective part(s) is returned freight prepaid by the customer. Parts used for repairs are warranted for the balance of the term of the warranty on the original humidifier or 90 days, whichever is longer.

The warranties set forth herein are in lieu of all other warranties expressed or implied by law. No liability whatsoever shall be attached to THE COMPANY until said products have been paid for in full and then said liability shall be limited to the original purchase price for the product. Any further warranty must be in writing, signed by an officer of THE COMPANY.

THE COMPANY's parts or materials that are considered consumables, including but not limited to: cylinders, filters, nozzles, membranes, media, gaskets, O-rings, etc. are NOT covered by the warranty.

THE COMPANY makes no warranty and assumes no liability unless the equipment is installed in strict accordance with a copy of the catalog and installation manual in effect at the date of purchase and by a contractor approved by THE COMPANY to install such equipment.

THE COMPANY makes no warranty and assumes no liability whatsoever for consequential damage or damage resulting directly from misapplication, incorrect sizing or lack of proper maintenance of the equipment.

THE COMPANY makes no warranty and assumes no liability whatsoever for damage resulting from freezing of the humidifier, supply lines, drain lines, or quality of the water used.

THE COMPANY retains the right to change the design, specification and performance criteria of its products without notice or obligation.

THE COMPANY's limited warranty on accessories, not of the companies manufacture, such as controls, humidistats, pumps, etc. is limited to the warranty of the original equipment manufacturer from date of original shipment of humidifier.

Extended Warranty

Extended warranties are available to purchase under the conditions listed above.



CONSULTING, SALES AND SERVICE:

U.S.A.
835 Commerce Park Ave.
Ogdensburg, NY 1366-2209

CANADA
2740 Fenton Road
Ottawa, ON, K1T 3T7

Tel: 1.866.667.8321
Fax: 613.822.7964

Email: na.info@condair.com
Website: www.condair.com

