

## Outdoor Mount Temperature Sensor Installation Instructions

This document covers the operation and installation instructions for the following Condair outdoor mount temperature sensor:

**Kit No. Description**

2553858 Outdoor Mount Temperature Sensor

The Condair COT temperature sensor can be used together with the following Condair Digital Humidity Controllers:

**Part No. Description**

2597928 0-10V Digital Wall Humidistat

2520259 On/Off Digital Wall Humidistat

2597929 0-10V Digital Duct Humidistat pkg.

2520273 On/Off Digital Duct Humidistat pkg.

2597934 Digital Wall ON/OFF Humidistat pkg.

2597935 Digital Duct ON/OFF Humidistat pkg.

The humidity controller used together with COT temperature sensor reads the outdoor air temperature measured by the COT temperature sensor and reduces the humidity control set point during cold weather operation to prevent condensation on windows and building structures.

### 1 – Installation Instructions

**Location:**

The COT temperature sensor must be installed on a flat vertical surface protected from direct sunlight and rain.

**Installation:**

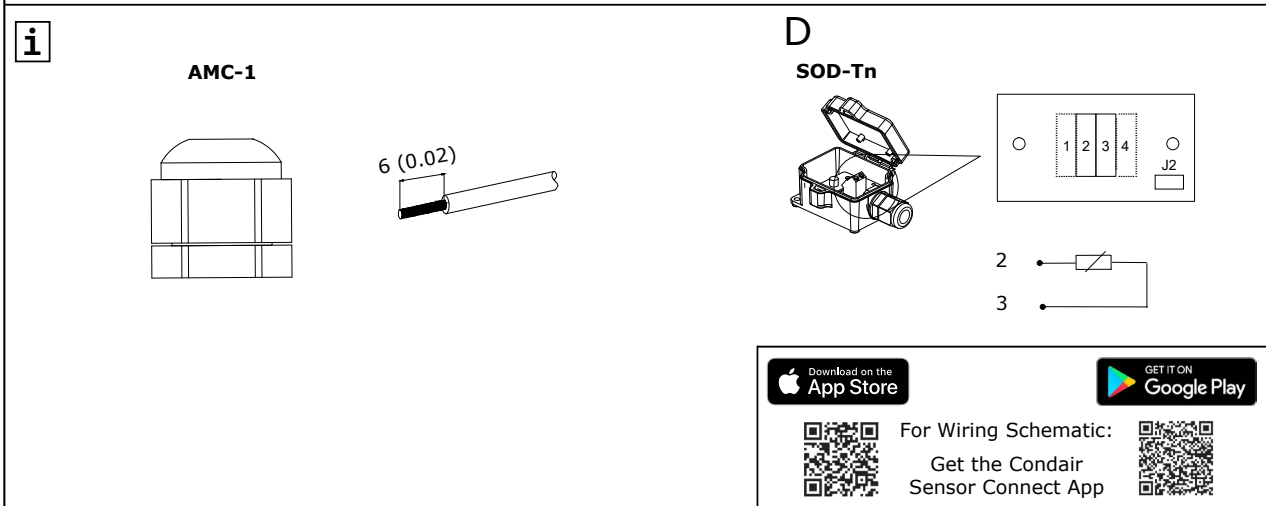
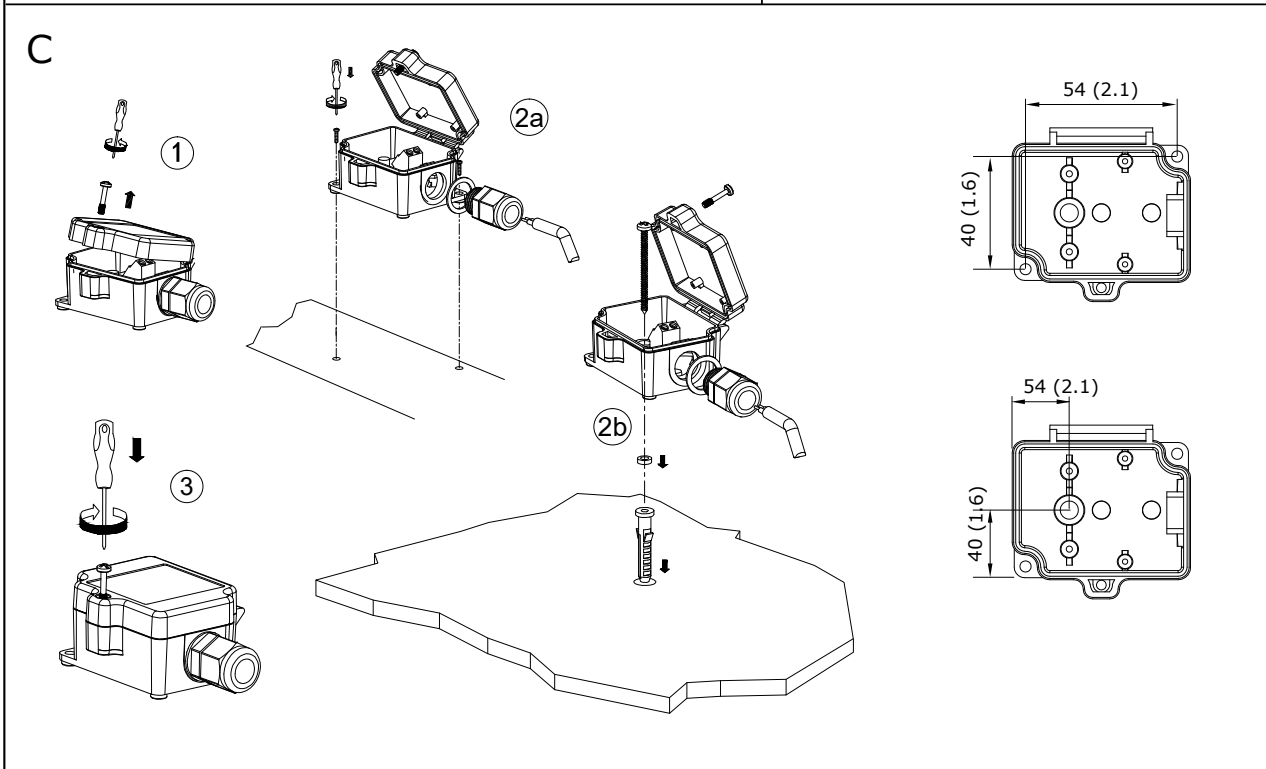
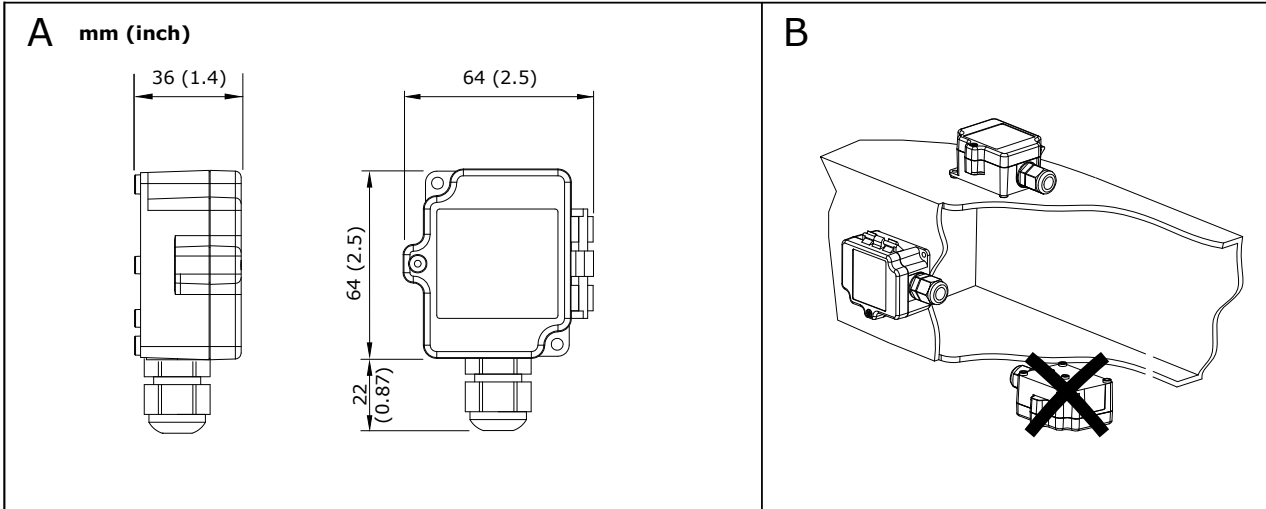
Refer to the installation overview in section 2.

1. The cable gland must face downwards.
2. To install the sensor, remove cover.
3. Place seal and washer below the long mounting screw. Securely fix it to wall.
4. Thread wires through cable gland or conduit connector
5. Connect the wires, normally 18 ga unshielded twisted pair, according to the wiring diagram to the measuring circuit in the cover
6. Tighten cable gland.
7. Assemble the cover with the base plate. Make sure the seal in the seal groove of the cover is not damaged and in place.
8. Tighten the four screws of the cover with moderate torque to complete the installation.

## 2 – Installation overview



**COT**  
**2553858**



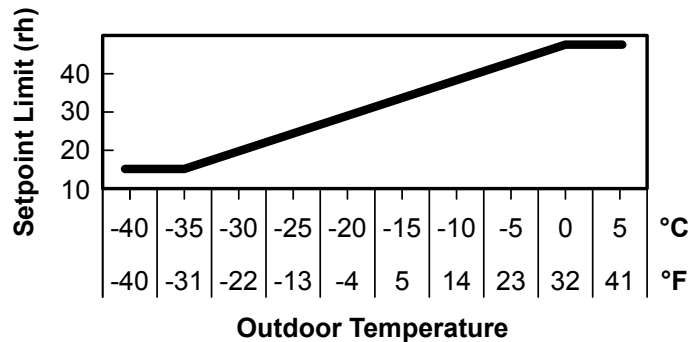
For Wiring Schematic:  
Get the Condair  
Sensor Connect App



### 3 – Product Specification

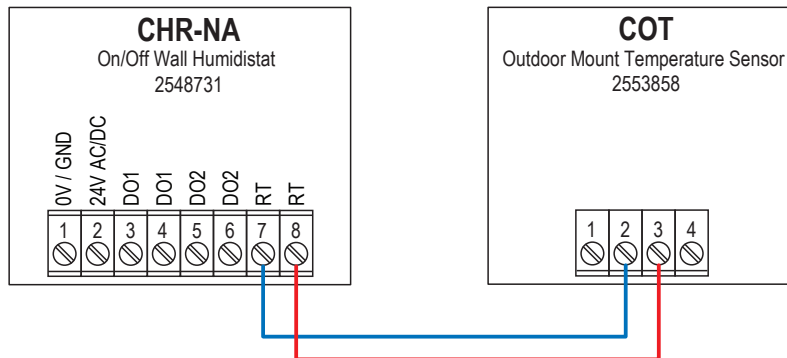
Sensing Probe	Thermistor: Accuracy: -40...0°C (-40...32°F): 0...50°C (32...122°F): 50...100°C (122...212°F):	NTC 0.5C 0.2C 0.5C
Connection	Terminal Connectors	For wire AWG 24...12
Standards	Conforms according to EMC Standard 89/336/EEC EMEI Standard 73/23/EEC	EN 61 000-6-1/EN 61 000-6-3
	Product Standards Automatic electrical controls for household and similar use Special requirements on temperature dependent controls	EN 60 730 – 1 EN 60 730 – 2- 9
	Degree of protection	IP 65 to EN 60 529
	Safety Class	III (IEC 60536)
Environment	Operation Temperature Humidity	IEC 721-3-3 -40...100°C (-40...212°F) <95 %rH not condensing
General	Materials Dimensions Cover: (HxWxD) Weight (including package)	Fire proof PC + ABS plastic 33 X 60 X 50 mm (1.3 x 2.4 x 2 in) 80 g (2.8 oz)

### Setpoint Versus Outdoor Temperature



### 4 - Wiring Diagrams

#### Wiring diagram COT-CHR-NA



# Wiring diagram COT-RCC-NA

