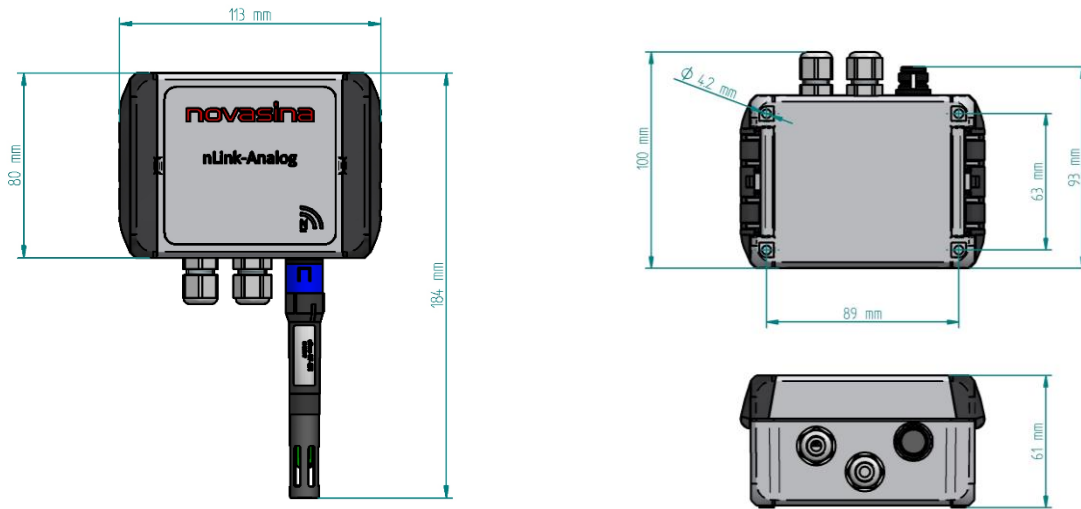


1. Product Installation

1.1. Drawing nLink Analog IP



1.2. Electrical Installation

	Wire specification
Clamping range	0.13 - 1.5mm ² (Push-in Spring clip)
Wires:	w. plastic collar ferrule DIN 46228/4: 0,25 - 0.75 mm ² w. wire end ferrule DIN 46228/1: 0,25 - 1.50 mm ² Solid, min. H05(07) V-U 0.2 - 1.50 mm ² Wire connection cross section AWG28 - 14

Cable specifications depend on the installation and have to be defined by the designer or installer. Heavy machinery and other instrumentation should not share the same power supply wiring. Use noise filters and surge protectors if required.

For EMC protection it is recommended to take the following measures:

- Wires emitting interference must be separated from measurement and analysis units
- Parallel guidance of measurement cables and electrical power cables must be avoided, use different channels with separation (see European Standard EN50170 for detailed information)

